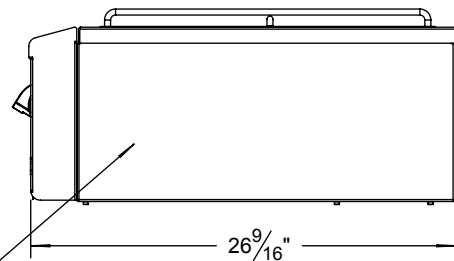
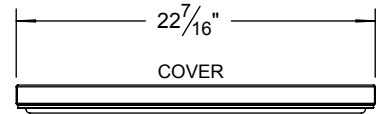
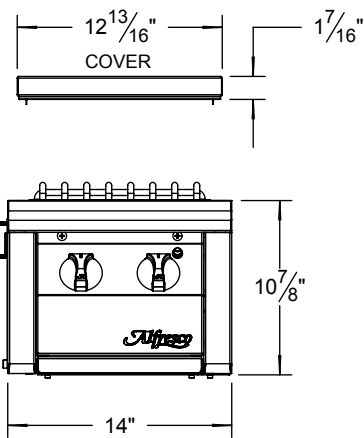
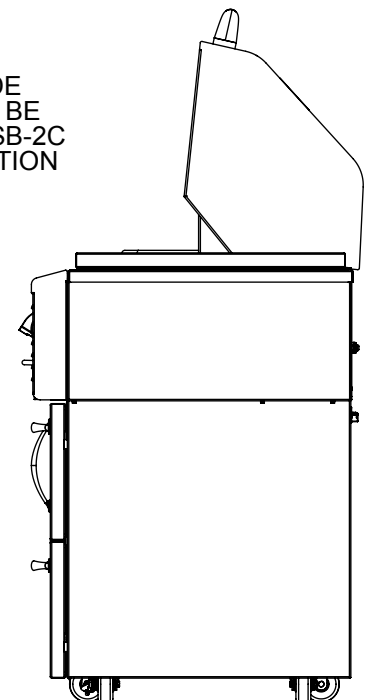
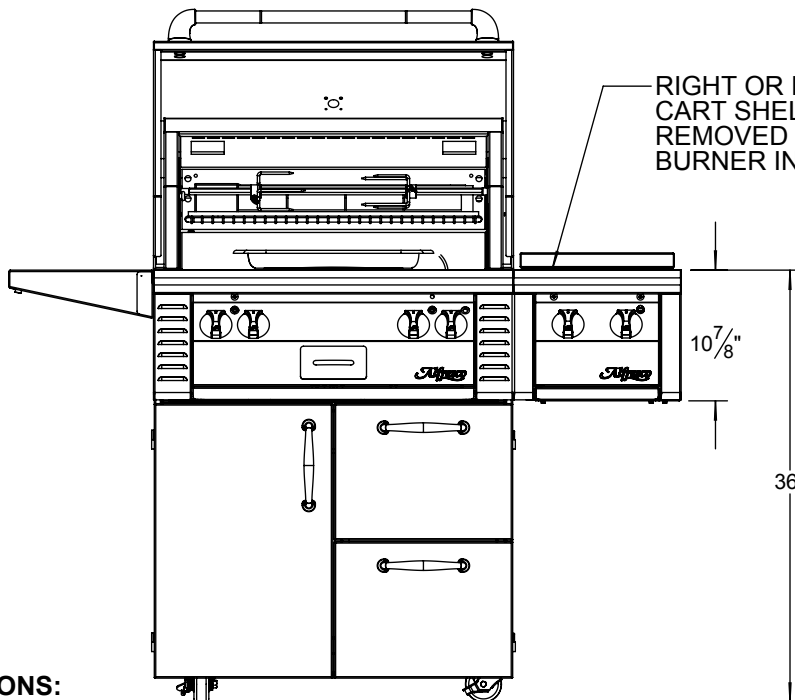


ALSB-2C UNIT

TYPICAL ALSB-2C CART MOUNTED INSTALLATION
SHOWN ON RIGHT SIDE OF ALX2-30C DELUXE CART UNIT



ALSB-2C UNIT IS SHIPPED WITH SIDE AND BACK PANELS CONFIGURED FOR RIGHT SIDE INSTALLATION. PANELS ARE REVERSIBLE FOR LEFT SIDE INSTALLATION. (REFER TO INSTALLATION MANUAL FOR MORE INFORMATION)



SPECIFICATIONS:

BTUH = 40,000
FUEL = NG @ 5" W.C. OR LP @ 10" W.C.
ELECTRICAL POWER = 9 VDC BATTERY
GAS CONNECTION = 1/2" NPT (NG) OR 3/8" ODF (LP)

NOTE:
THE ALSB-2C UNIT IS SUPPLIED WITH ALL PANELS, STAINLESS FLEXIBLE HOSES AND FITTINGS REQUIRED FOR INSTALLATION. SEE INSTALLATION MANUAL FOR ADDITIONAL INFORMATION.



SUPERIOR EQUIPMENT SOLUTIONS
7039 EAST SLAUSON AVENUE
COMMERCE, CA. 90040

THE INFORMATION CONTAINED IN THIS DRAWING IS THE SOLE PROPERTY OF SUPERIOR EQUIPMENT SOLUTIONS INC. ANY REPRODUCTION IN PART OR AS A WHOLE WITHOUT WRITTEN PERMISSION FROM SUPERIOR EQUIPMENT SOLUTIONS, INC. IS PROHIBITED.

DRAWN BY: ADRIAN CRISCI
CREATED: 1/15/2014 2:54:59 PM

PROJECT TITLE:
ALSB-2C

DRAWING TITLE:
ALSB-2C CART SIDE BURNER ACCESSORY

DRAWING NO.: ALSB-2C SPEC SHEET
SHEET 1 OF 1