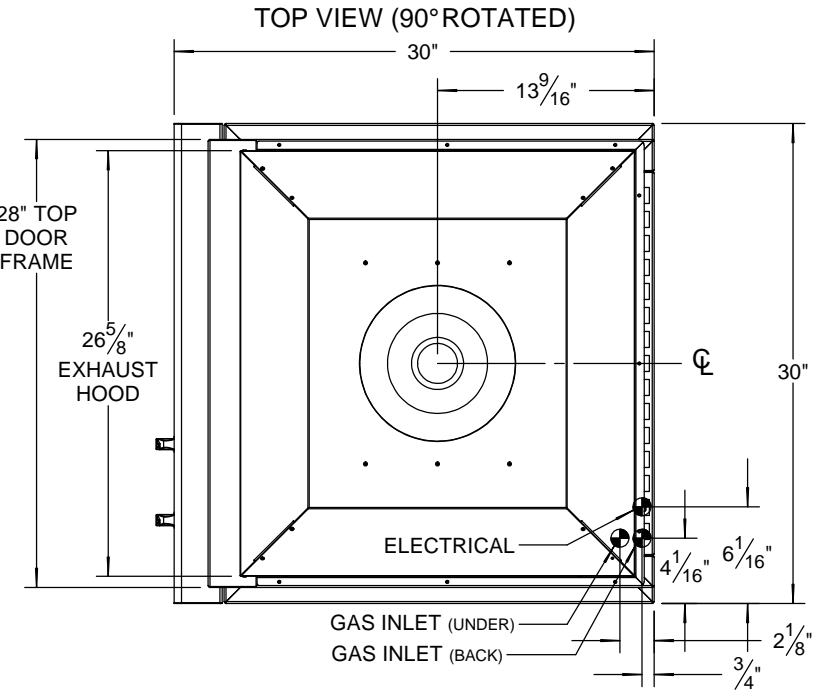
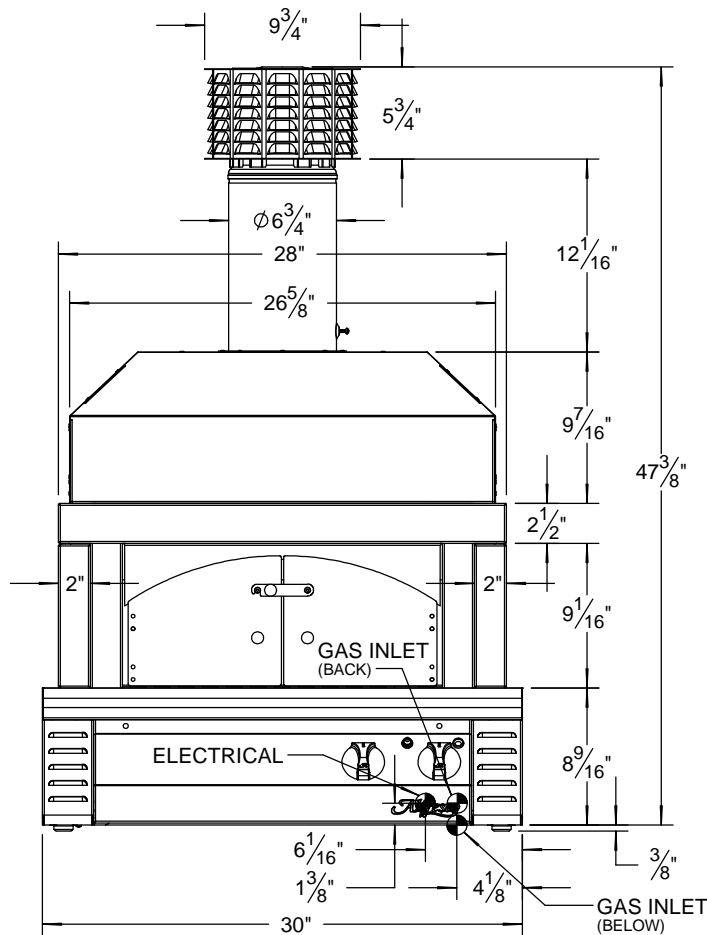
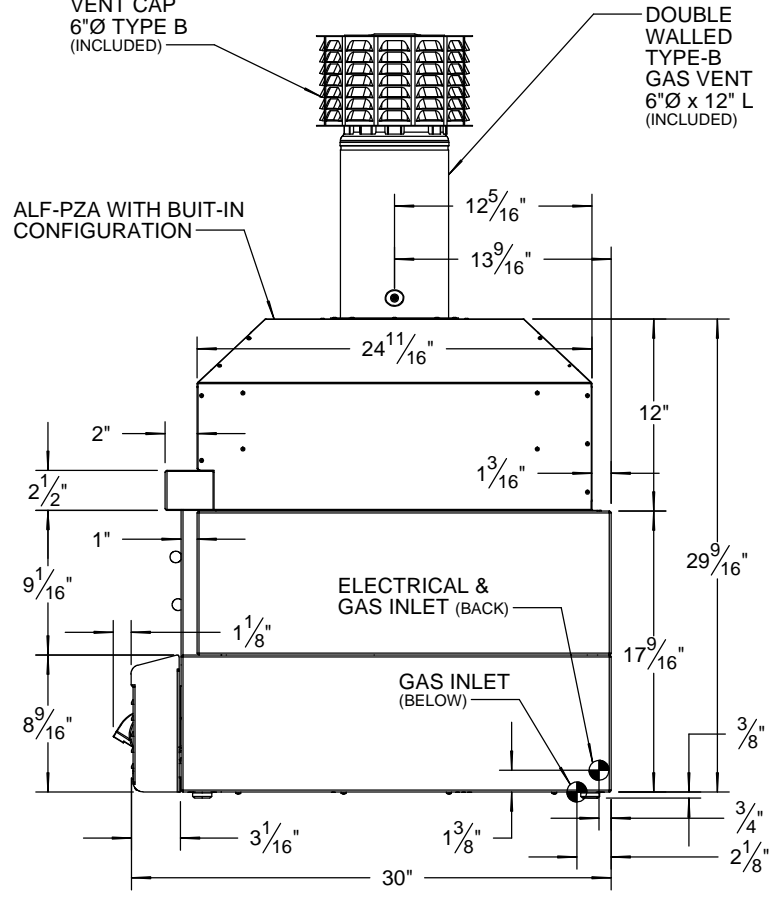


**ALF-PZA AND "BIA" TYPICAL UNIT INSTALLED WITH A FULL FASCIA BRICK WALL DESIGN**

**FRONT VIEW**



**PROFILE VIEW**

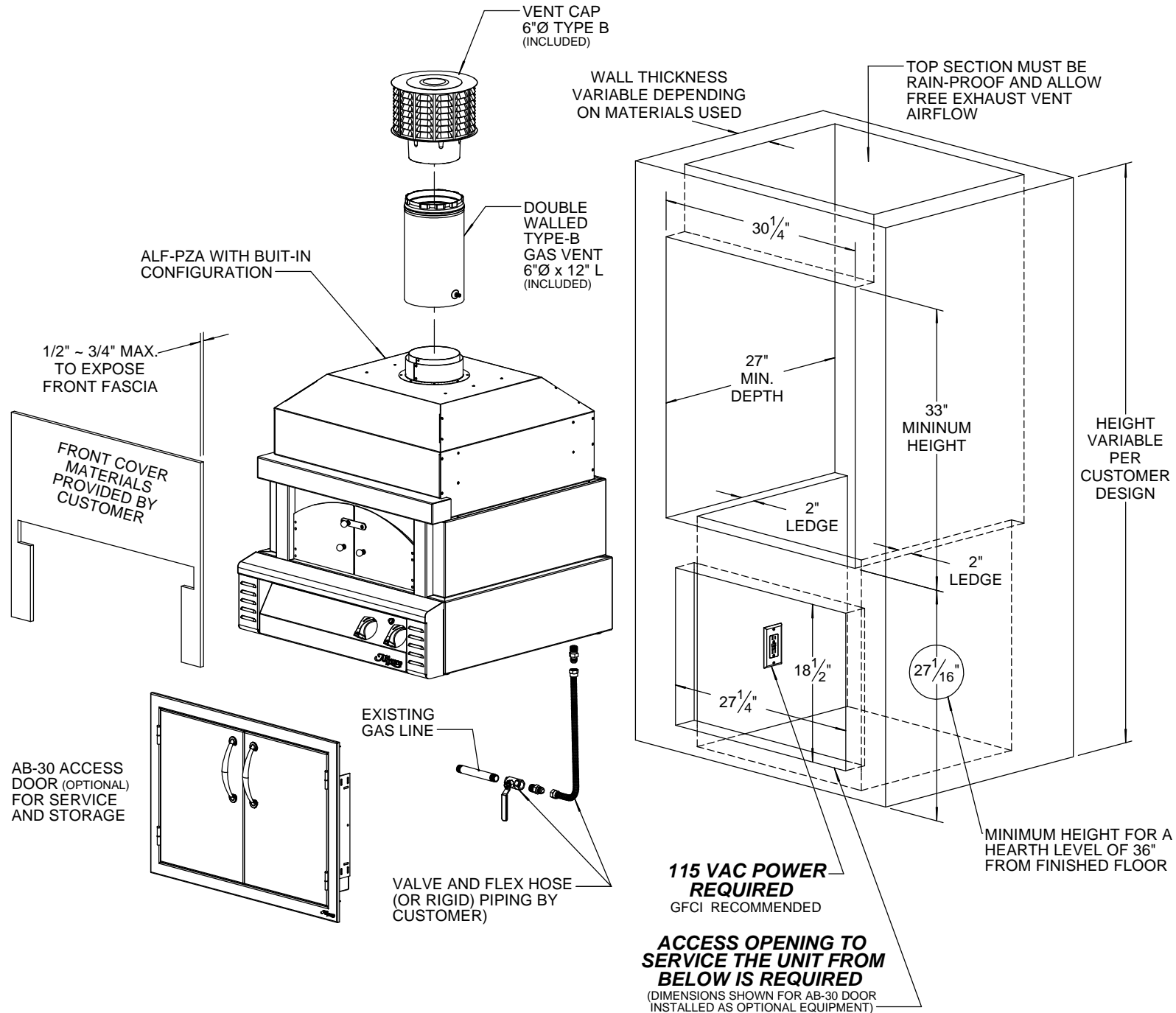


Due to the unique design of the *Alfresco*<sup>™</sup> Pizza Oven, the unit can be piped from behind or below as it might be required by a custom installation and finish. Both locations are shown here as an aid in design only.

For additional information, please refer to the ALF-PZA Care and Use manual.

When installing the *Alfresco*<sup>™</sup> Pizza Oven as a built-in unit, careful consideration to the materials used must be made. As a general rule, the materials and construction methods should be the same as the requirements for an outdoor fireplace while maintaining all local building codes.

*Dimensions shown below are shown as reference to aid in the design and planning only.*



**SPECIFICATIONS:**

BTUH = 35,600  
 FUEL NG @ 5 W.C. / LP @ 10 W.C.  
 ELECTRICAL POWER: 115 VAC / 0.3 A / 60 Hz.  
 GAS CONNECTION = 1/2" NPT (NG) OR 3/8" ODF (LP)

<p>SUPERIOR EQUIPMENT SOLUTIONS 7039 EAST SLAUSON AVENUE COMMERCE, CA. 90040</p>	<p>THE INFORMATION CONTAINED IN THIS DRAWING IS THE SOLE PROPERTY OF SUPERIOR EQUIPMENT SOLUTIONS INC. ANY REPRODUCTION IN PART OR AS A WHOLE WITHOUT WRITTEN PERMISSION FROM SUPERIOR EQUIPMENT SOLUTIONS, INC. IS PROHIBITED.</p>	<p>PROJECT TITLE: <b>ALF-PZA-BIA</b></p>	<p>DRAWING NO.: <b>ALF-PZA-BIA SPEC SHEET</b></p>
	<p>DRAWN BY: ADRIAN CRISCI CREATED: 5/17/2013 10:28:15 AM</p>	<p>DRAWING TITLE: <b>ALF-PZA-BIA BUILT-IN UNIT - INSTALLATION GUIDELINES</b></p>	<p>SHEET 2 OF 2</p>