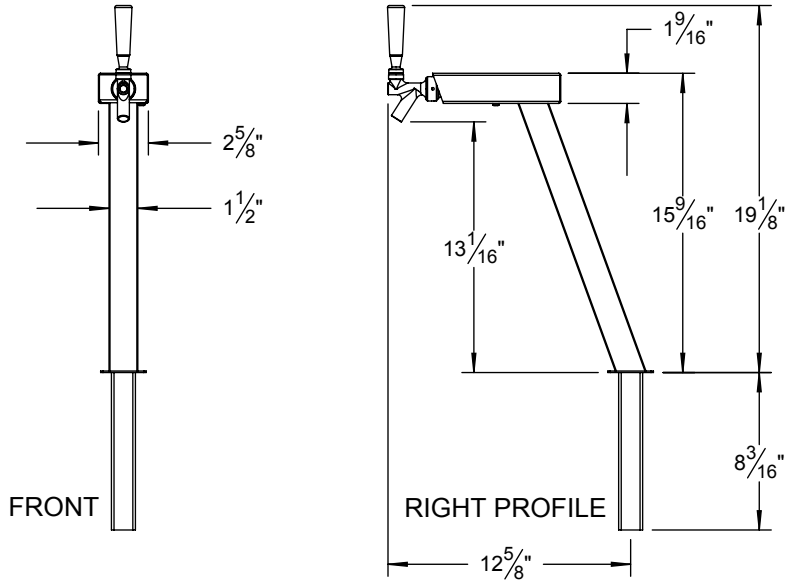
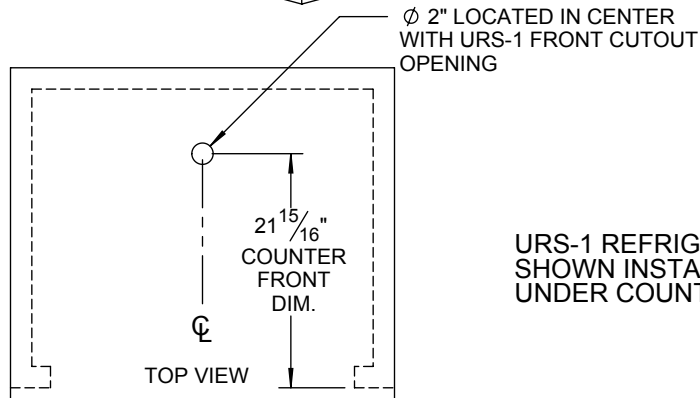
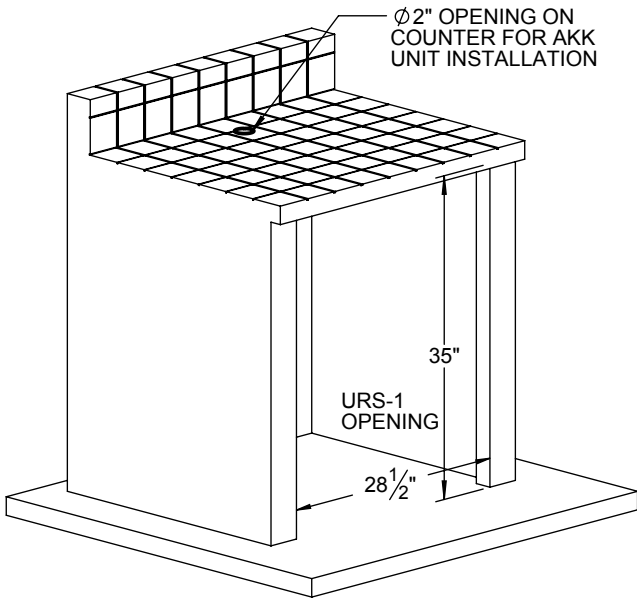


AKK TYPICAL INSTALLATION



COUNTER TOP AND FRONT CUTOUT REQUIREMENTS



**NOTE:**  
THE AKK BEER COLUMN MUST BE INSTALLED ON TOP OF THE COUNTER BUT ALSO MUST BE REMOVABLE IN ORDER TO MOVE THE URS-1 OUT OF THE COUNTER FOR MAINTENANCE OR SERVICE REQUIREMENTS.

**DO NOT BUILD PERMANENTLY INTO THE COUNTER TOP**

AKK DRIP TRAY ASSEMBLY (NO COUNTER CUTOUT IS REQUIRED FOR DRIP TRAY INSTALLATION)

