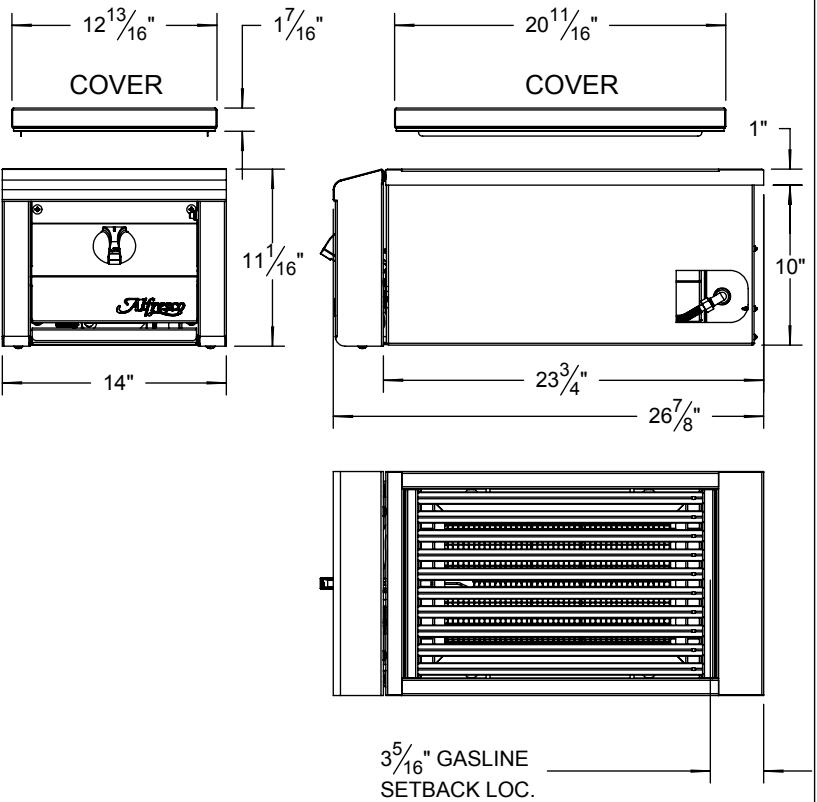


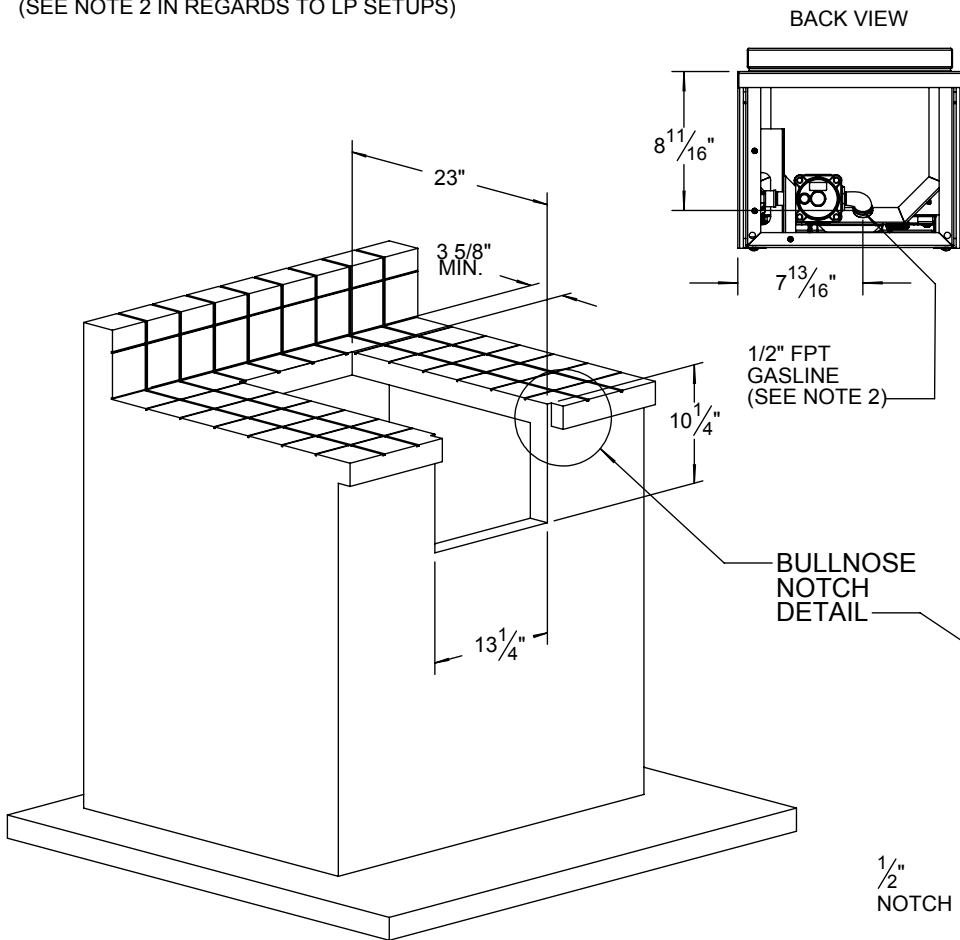
**AGSZ TYPICAL INSTALLATION**

**AGSZ - SEAR-ZONE™ SIDE BURNER**



**COUNTERTOP CUTOUT REQUIREMENTS**

**NOTE 1:**  
A GAS LINE IS REQUIRED INSIDE THE COUNTER FOR OPERATION.  
IT IS RECOMMENDED THAT A FLEXIBLE GAS LINE IS USED TO EASE INSTALLATION IN NATURAL GAS (NG) SETUPS.  
(SEE NOTE 2 IN REGARDS TO LP SETUPS)



**LP GAS SETUP:**

REGULATOR WITH 36" HOSE

ADAPTER: 1/2" MPT x 3/8" MPT

**NOTE 2:**  
STANDARD UNIT HAS A NATURAL GAS (NG) CONNECTION WITH 1/2" FPT FITTING.  
IF LIQUID PROPANE (LP) OPTION IS ORDERED, THE UNIT IS SUPPLIED WITH A REGULATOR, HOSE AND ADAPTER FITTING AS SHOWN.

