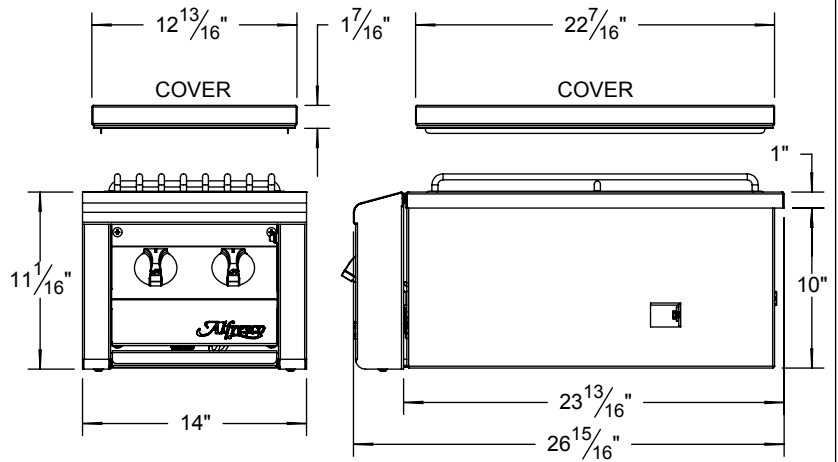


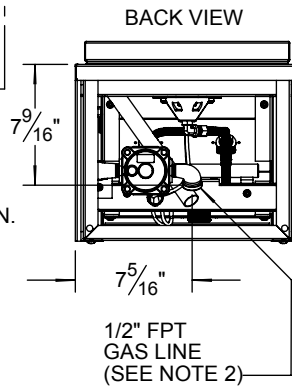
AGSB TYPICAL INSTALLATION

AGSB - DUAL SIDE BURNER

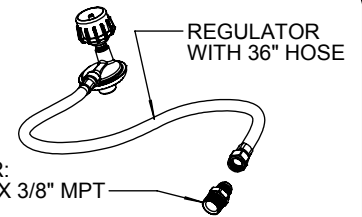


COUNTERTOP CUTOUT REQUIREMENTS

NOTE 1:
A GAS LINE IS REQUIRED INSIDE THE COUNTER FOR OPERATION.
IT IS RECOMMENDED THAT A FLEXIBLE GAS LINE IS USED TO EASE INSTALLATION IN NATURAL GAS (NG) SETUPS. (SEE NOTE 2 IN REGARDS TO LP GAS SETUPS)

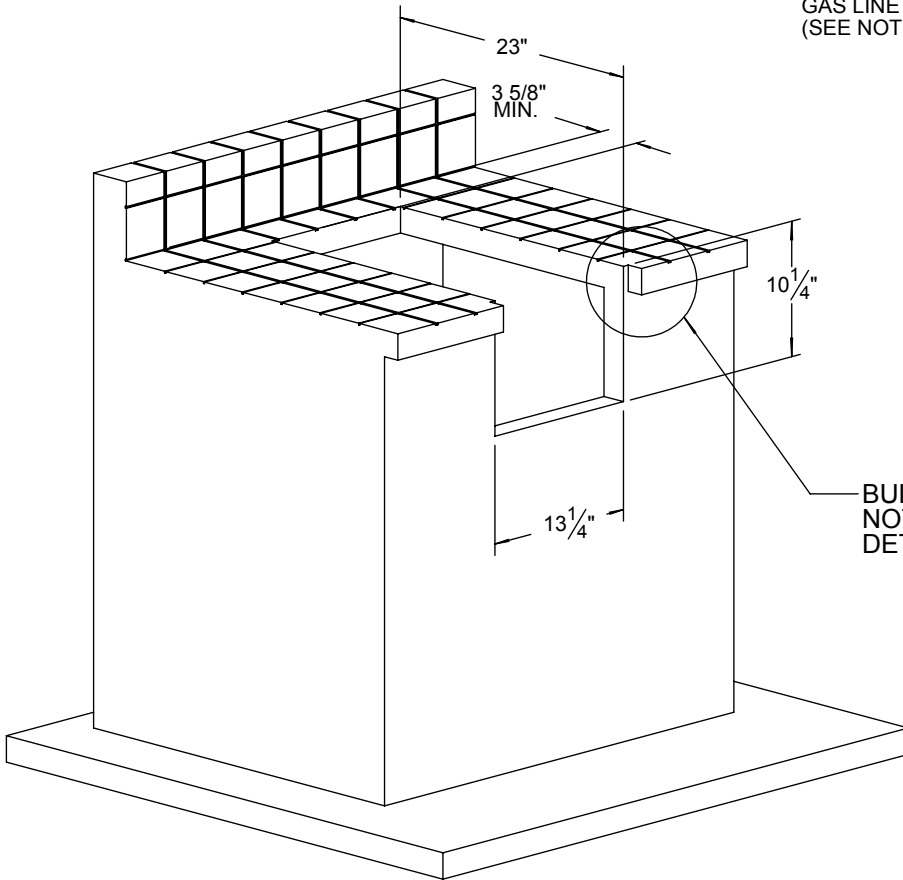


LP GAS SETUP:



NOTE 2:
STANDARD UNIT HAS A NATURAL GAS (NG) CONNECTION WITH 1/2" FPT FITTING.

IF LIQUID PROPANE (LP) OPTION IS ORDERED THE UNIT IS SUPPLIED WITH A REGULATOR, HOSE AND ADAPTER FITTING AS SHOWN.



TOP VIEW

