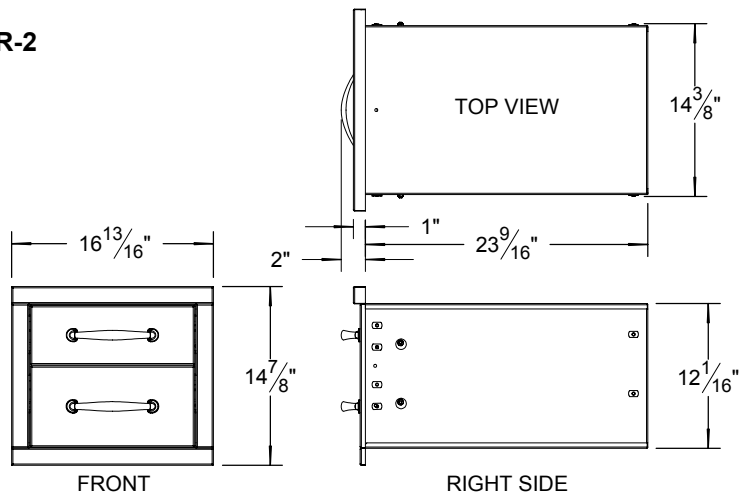
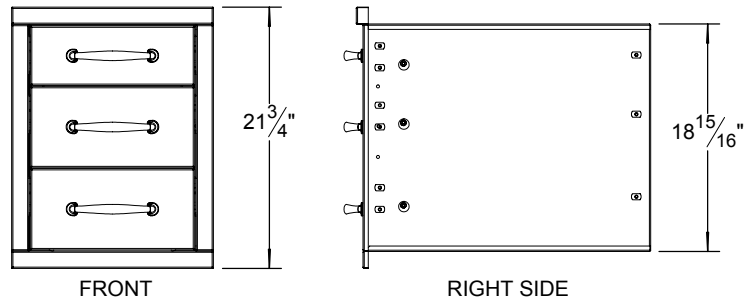


AGDR - TYPICAL INSTALLATION (AGDR-2 SHOWN)

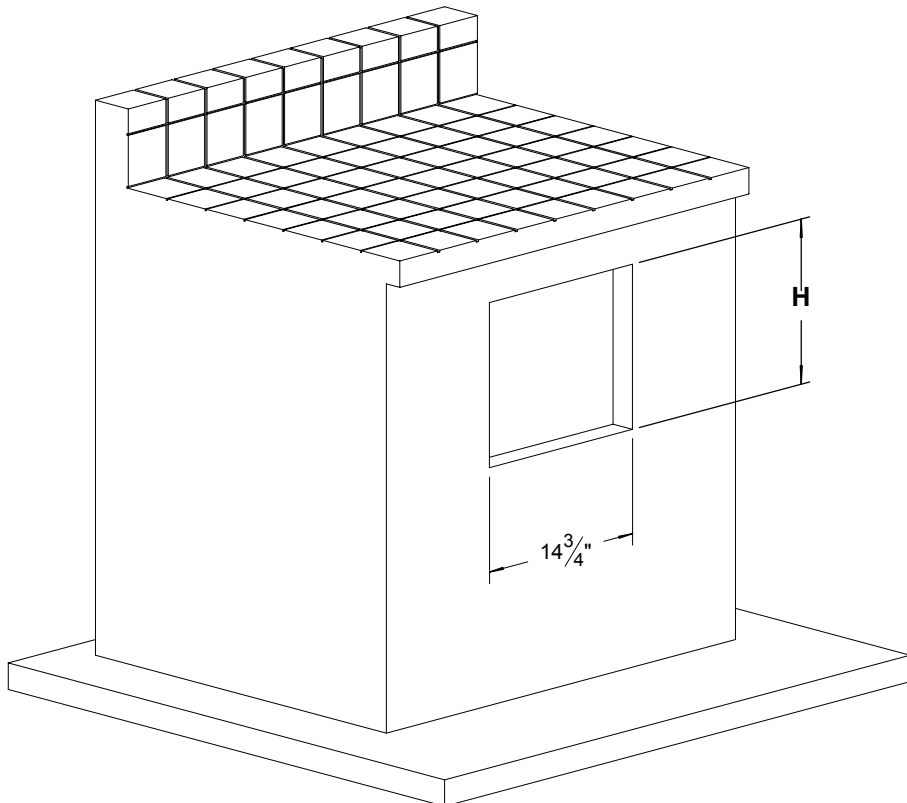
AGDR-2



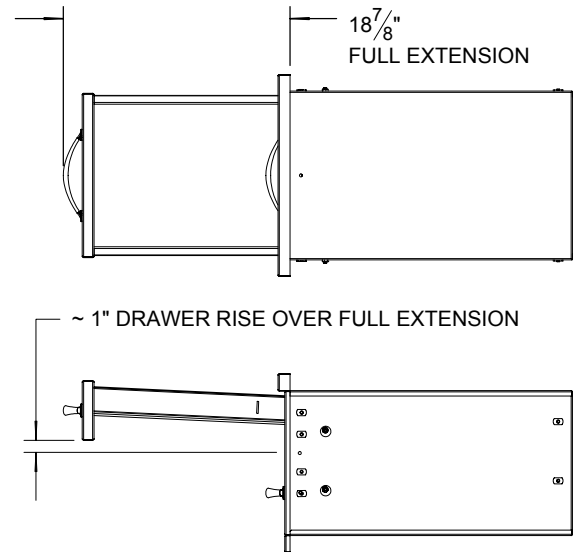
AGDR-3



COUNTER FRONT CUTOUT REQUIREMENTS



TYPICAL DRAWER EXTENSION



CUTOUT HEIGHT DIMENSION (H):

- AGDR-2 = 12-1/2"
- AGDR-3 = 19-1/4"