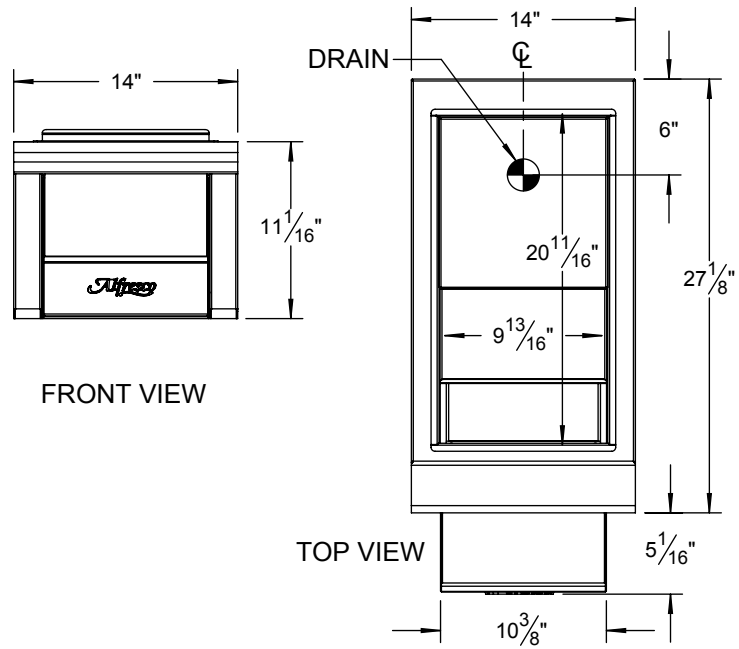


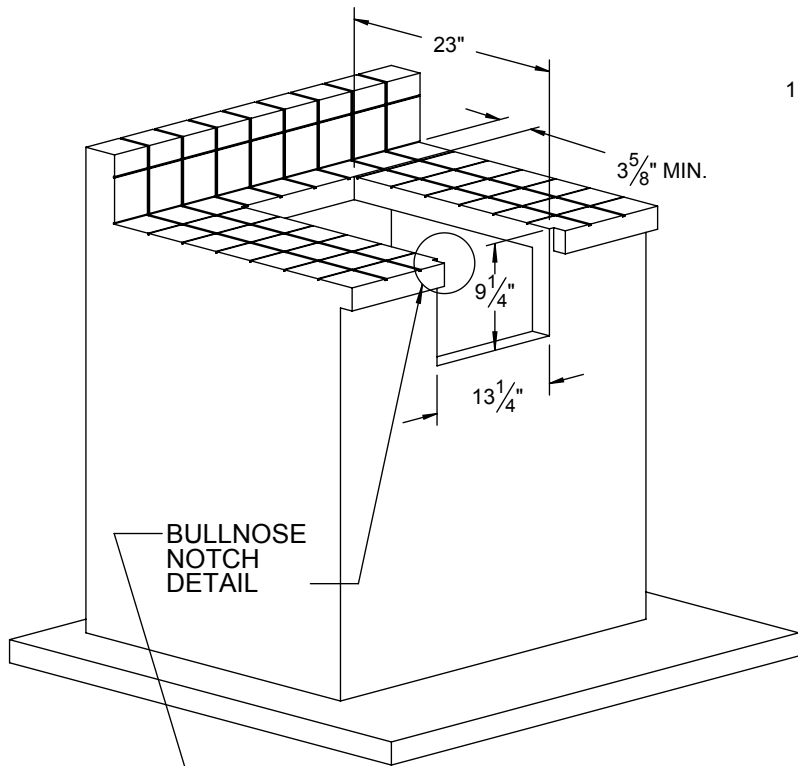
AGBC-14 TYPICAL INSTALLATION



FRONT VIEW

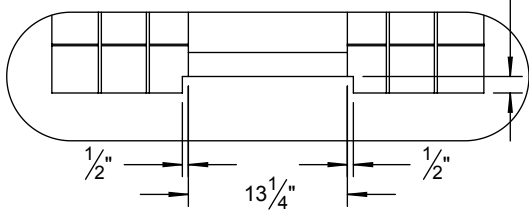
TOP VIEW

COUNTERTOP CUTOUT REQUIREMENTS



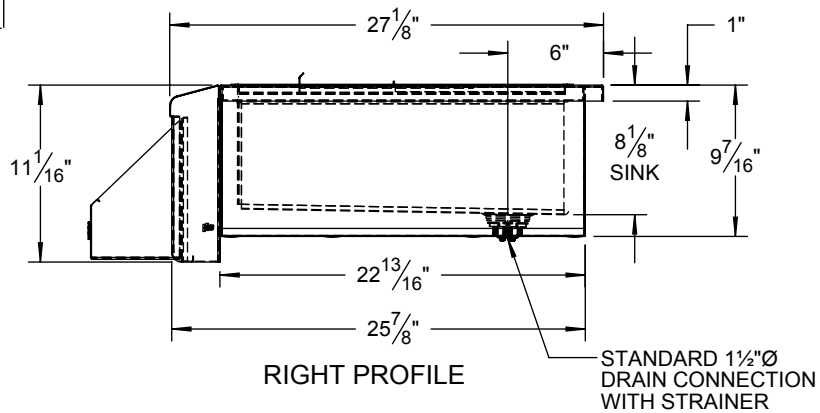
BULLNOSE NOTCH DETAIL

DEPTH EQUAL TO BULLNOSE OVERHANG



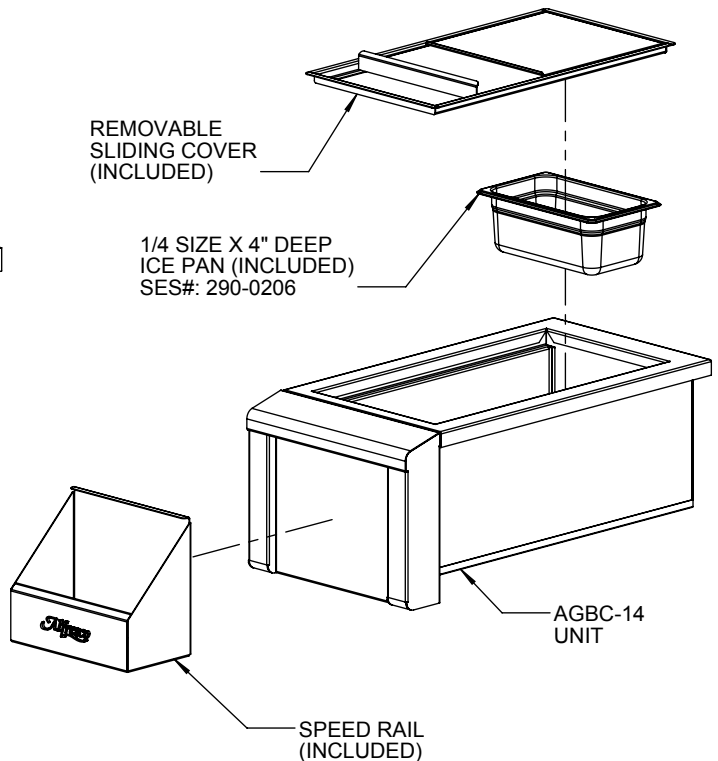
NOTES:

- A DRAIN MUST BE PROVIDED INSIDE THE COUNTER FOR PROPER AGBC-14 INSTALLATION.



RIGHT PROFILE

STANDARD 1 1/2"Ø DRAIN CONNECTION WITH STRAINER



REMOVABLE SLIDING COVER (INCLUDED)

1/4 SIZE X 4" DEEP ICE PAN (INCLUDED)
SES#: 290-0206

SPEED RAIL (INCLUDED)

AGBC-14 UNIT