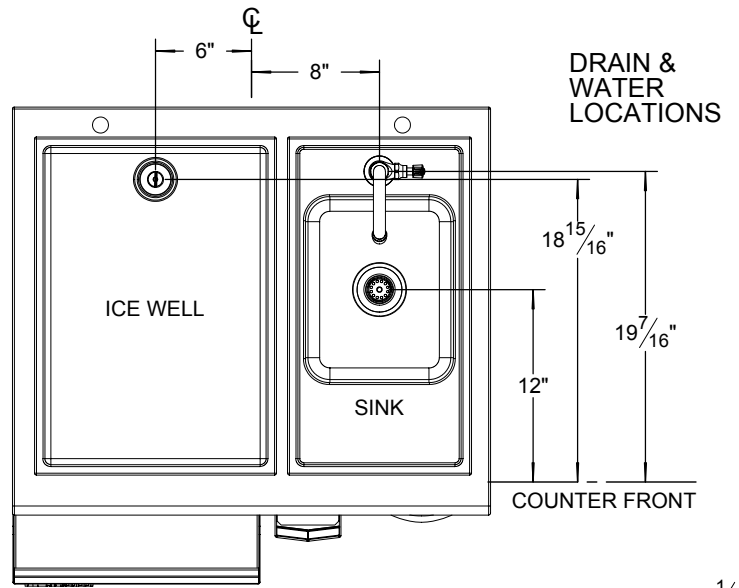
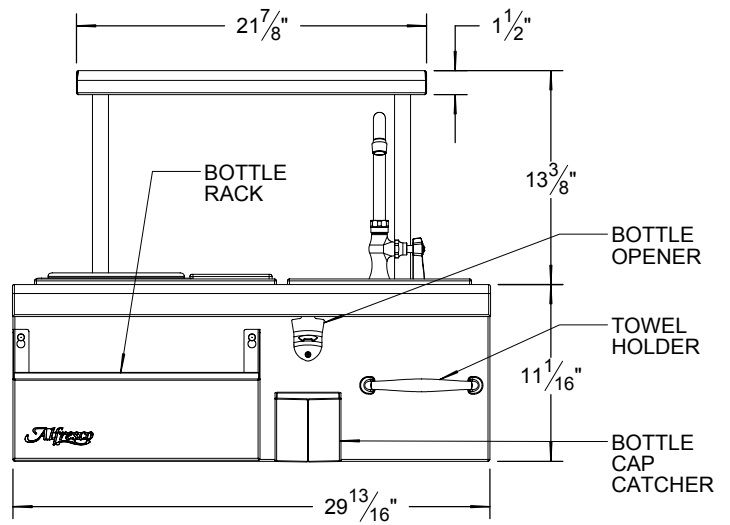
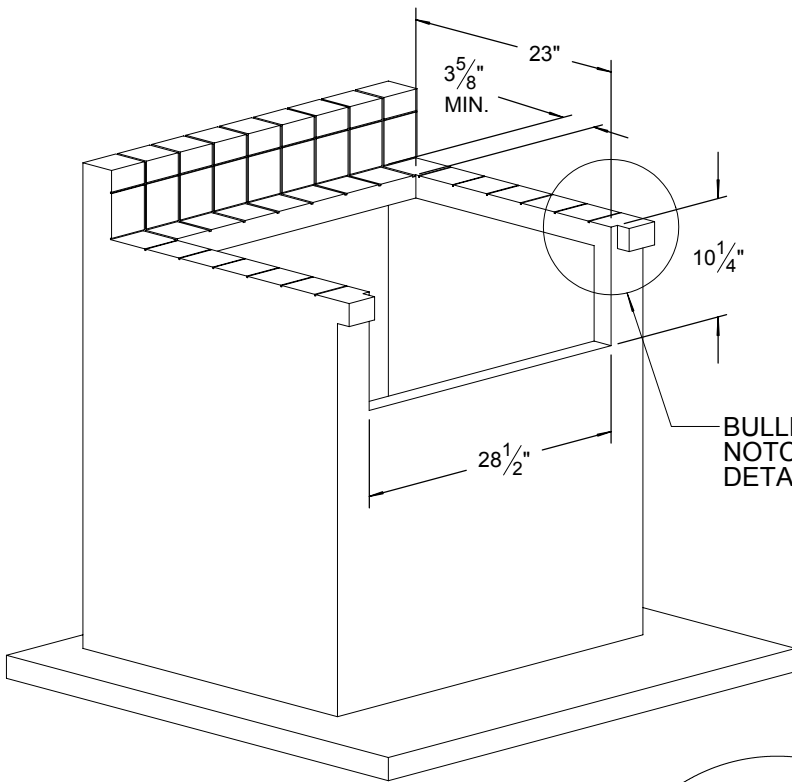


ADT-30 TYPICAL INSTALLATION
(SHOWN WITH OPTIONAL ADSS SERVING SHELF)



COUNTER CUTOUT REQUIREMENTS



NOTE:
COLD WATER SUPPLY AS WELL AS A DRAIN
MUST BE PROVIDED INSIDE THE COUNTER
FOR PROPER ADT-24 HOOK UP.

