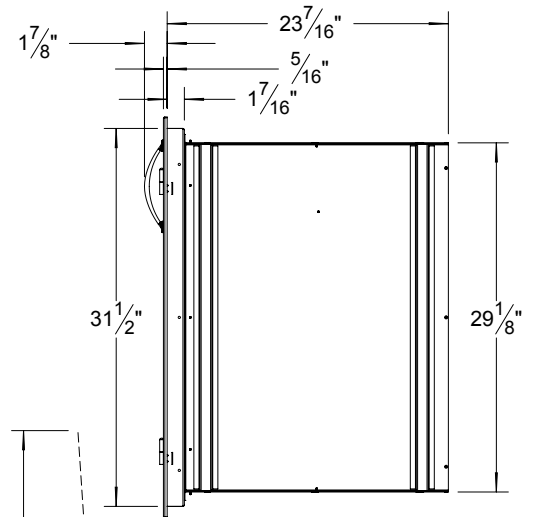
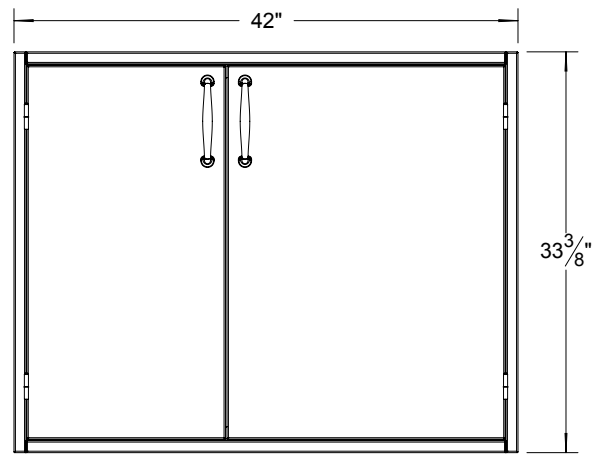


**ADSP-42H TYPICAL INSTALLATION**



**COUNTER FRONT CUTOUT REQUIREMENTS**

