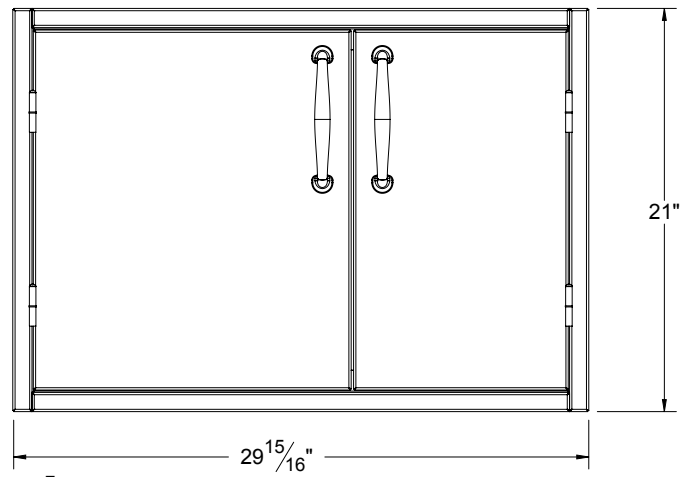


**ADSP-30L TYPICAL INSTALLATION**



**COUNTER FRONT CUTOUT REQUIREMENTS**

