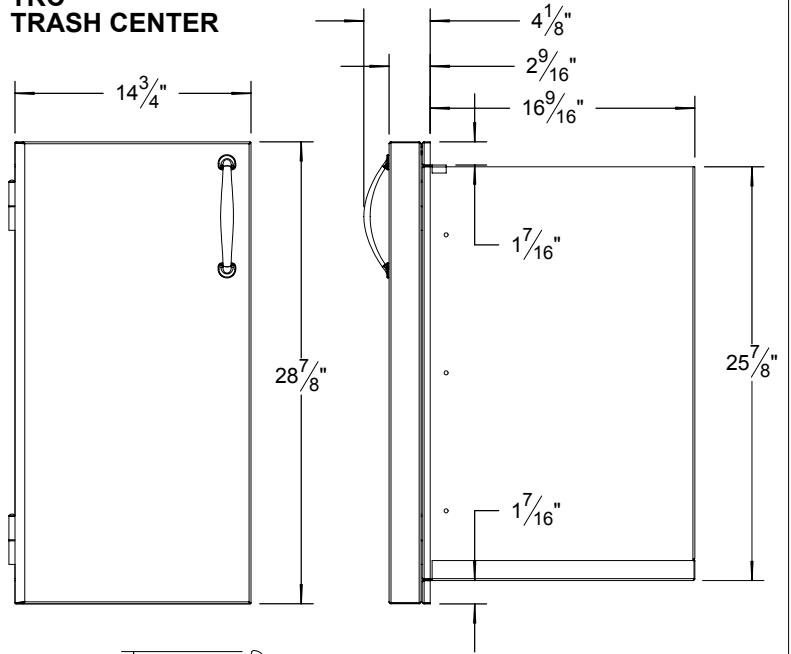


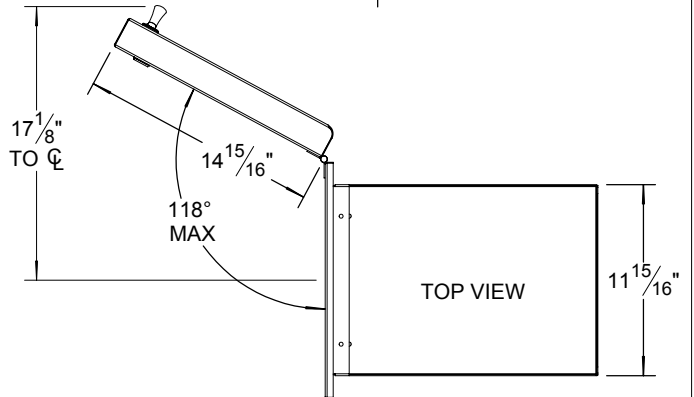
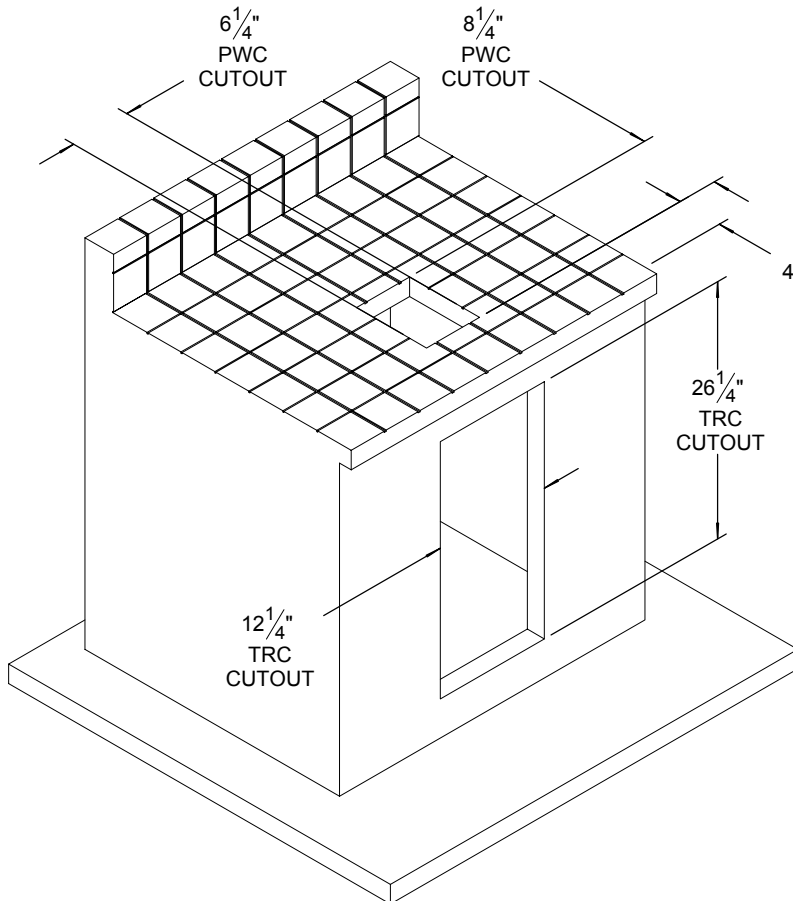
ADLXTC - COMPLETE ASSEMBLY

TRC TRASH CENTER

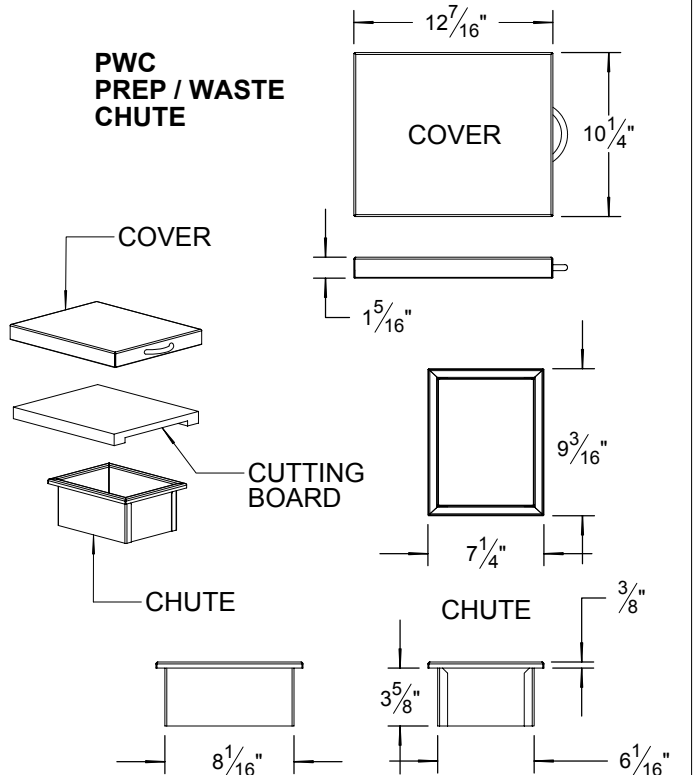


COUNTERTOP CUTOUT REQUIREMENTS

CHUTE SETBACK DISTANCE:
REQUIRED TO LOCATE CHUTE ON CENTER WITH TRASH CAN COMPARTMENT IS 4-5/8" FROM COUNTER FRONT



PWC PREP / WASTE CHUTE



THE INFORMATION CONTAINED IN THIS DRAWING IS THE SOLE PROPERTY OF SUPERIOR EQUIPMENT SOLUTIONS INC. ANY REPRODUCTION IN PART OR AS A WHOLE WITHOUT WRITTEN PERMISSION FROM SUPERIOR EQUIPMENT SOLUTIONS, INC. IS PROHIBITED.

DRAWN BY: ADRIAN CRISCI
CREATED: June 07, 2007 9:02:37 AM

PROJECT TITLE: ADLXTC
DRAWING TITLE:
DELUXE TRASH CENTER SPECIFICATION

DRAWING NO.:
ADLXTC SPEC SHEET