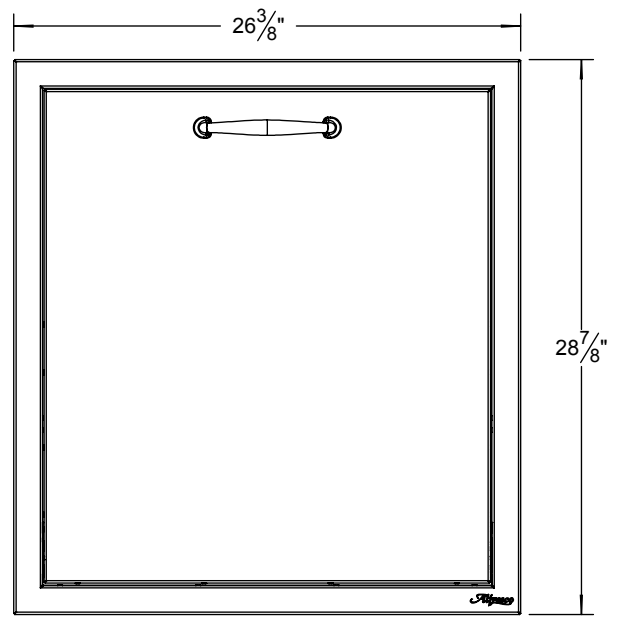


TYPICAL AB-TC2 INSTALLATION



COUNTER FRONT CUTOUT REQUIREMENTS

