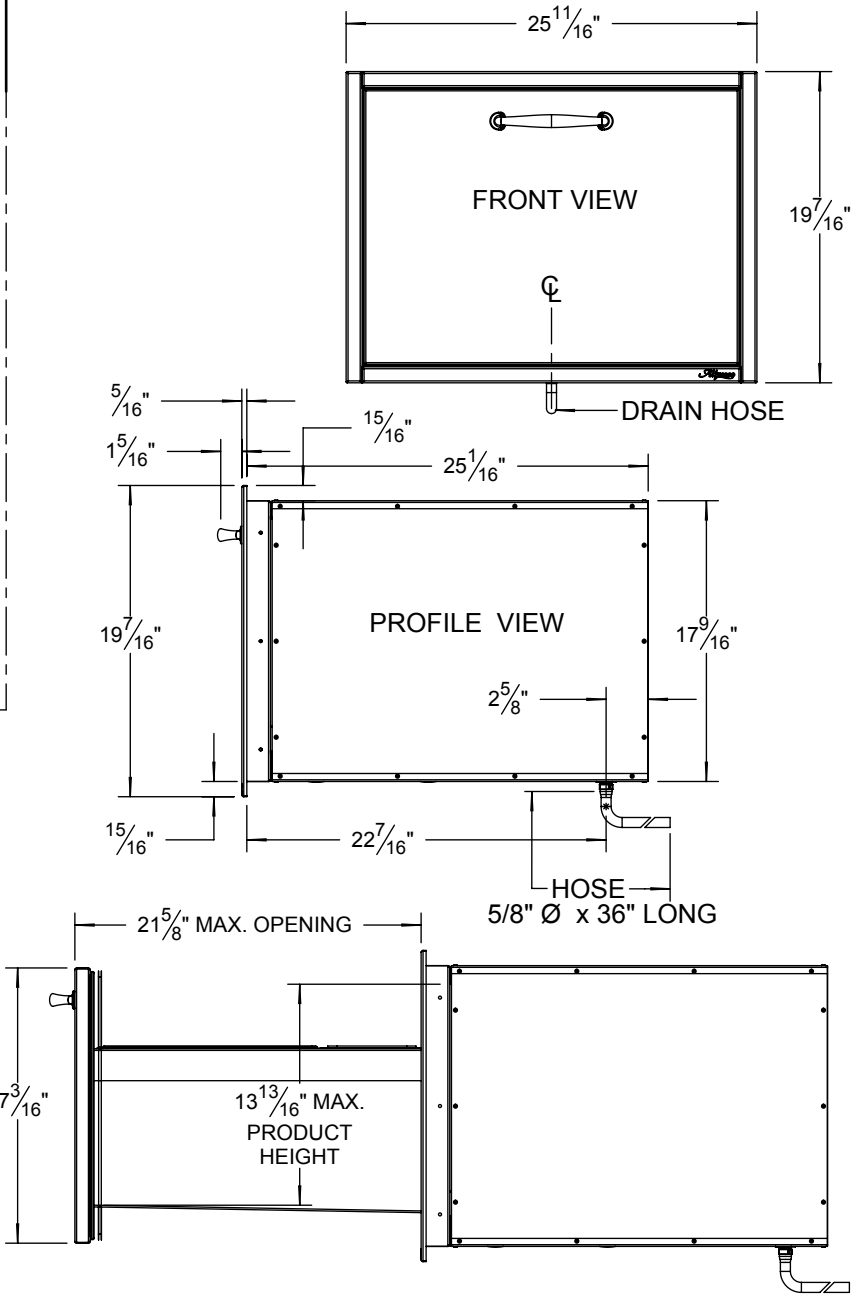
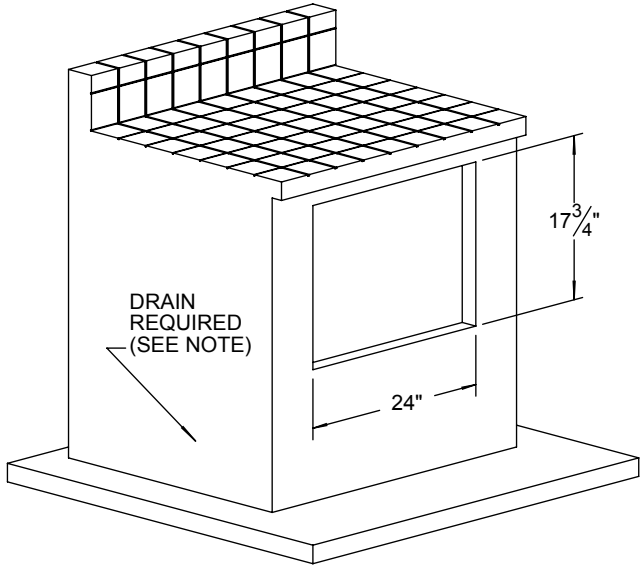
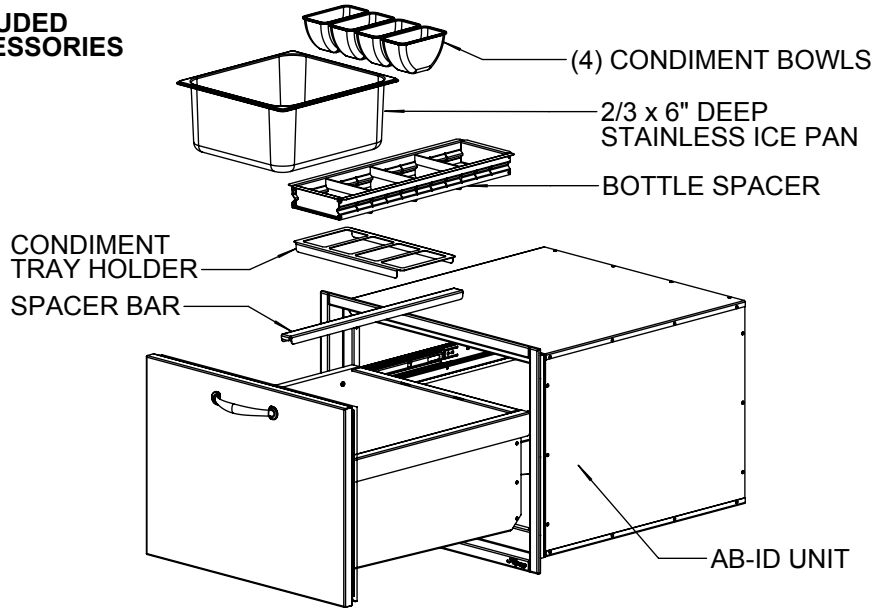


AB-ID - ICE DRAWER TYPICAL INSTALLATION

COUNTER FRONT CUTOUT REQUIREMENTS



INCLUDED ACCESSORIES



NOTE:

- PROPER DRAINING IS REQUIRED FOR THIS UNIT.
- CONDENSATION AND WATER FROM MELTING ICE WILL CONTINUE TO FLOW FROM THIS UNIT INTO THE DRAIN HOSE.
- A MINIMUM DRAIN OF 1" Ø IS RECOMMENDED TO BE INSTALLED IN THE COUNTER.