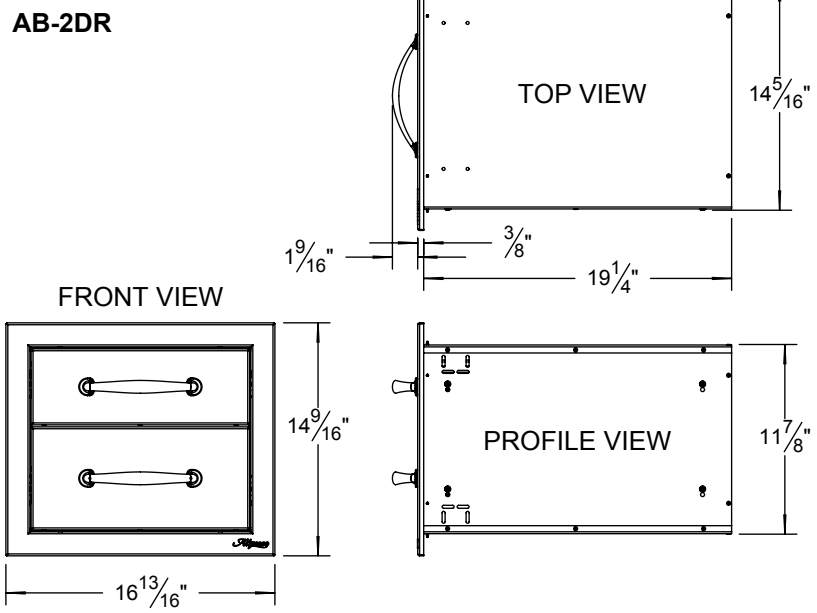
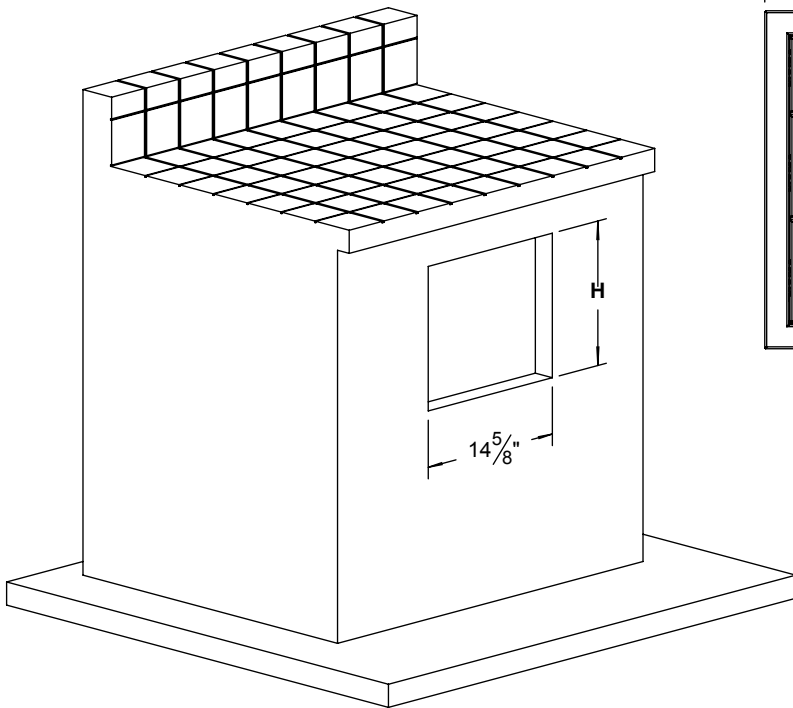


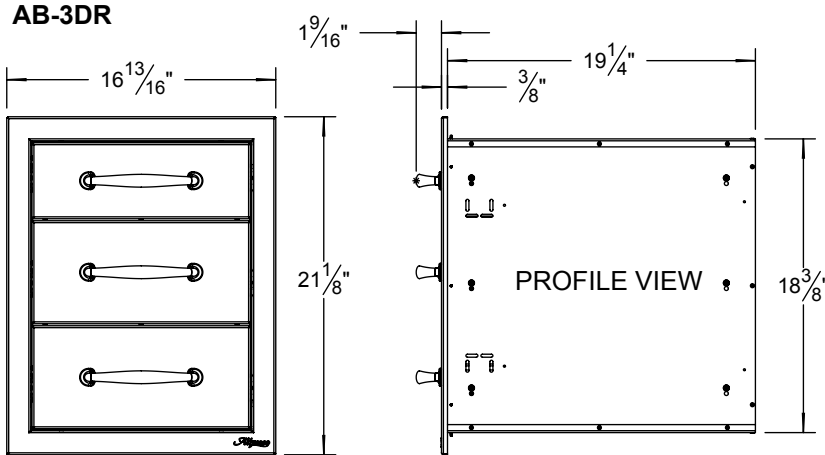
**AB DRAWER - TYPICAL INSTALLATION (AB-2DR SHOWN)**



**COUNTER FRONT CUTOUT REQUIREMENTS**



- CUTOUT HEIGHT DIMENSION (H):**
- AB-2DR = 12-1/4"
  - AB-3DR = 18-5/8"



**TYPICAL DRAWER EXTENSION BOTH MODELS:**

