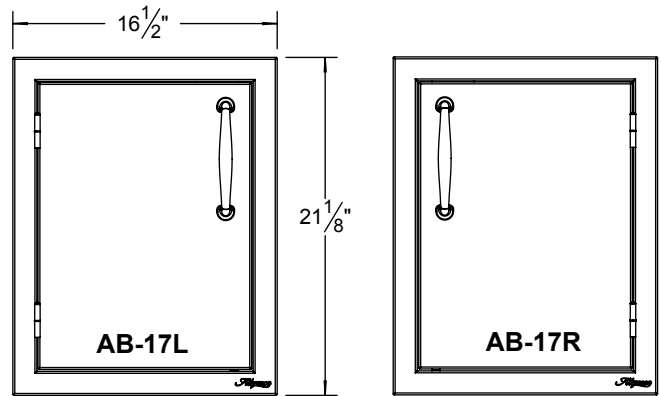
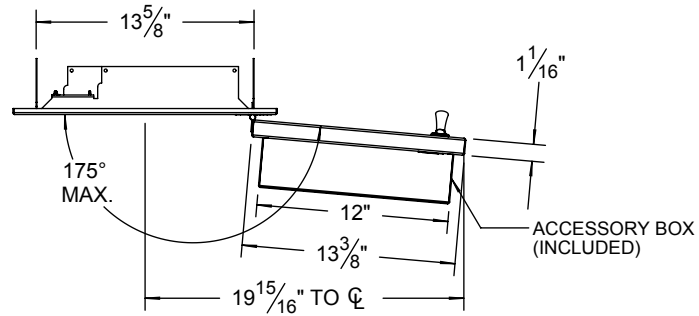


AB - ACCESS DOOR TYPICAL INSTALLATION

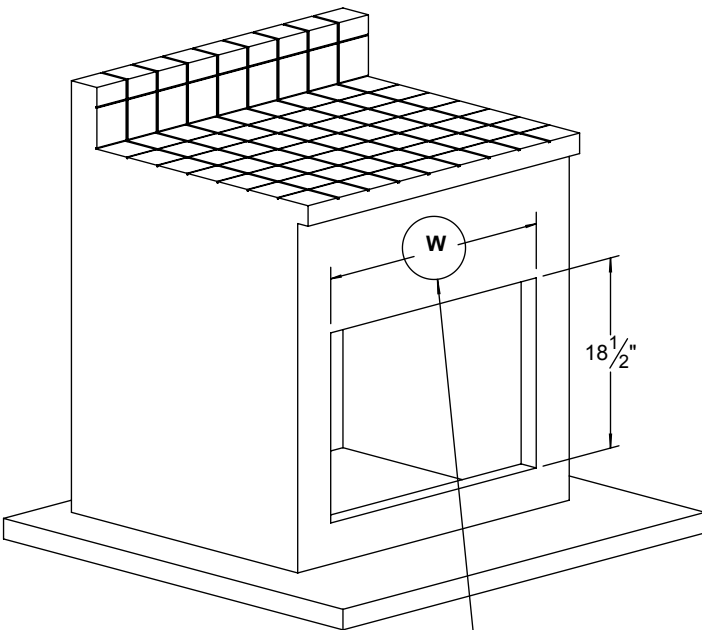
FRONT VIEW SINGLE NARROW DOORS



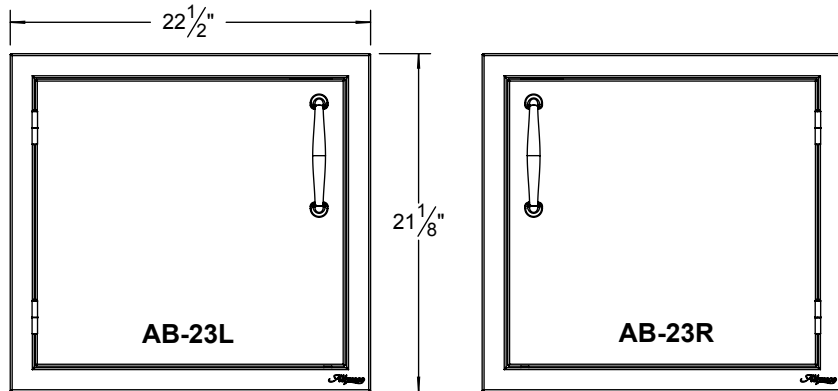
TOP VIEW: DIMENSIONS APPLY TO AB-17 L & R MODELS



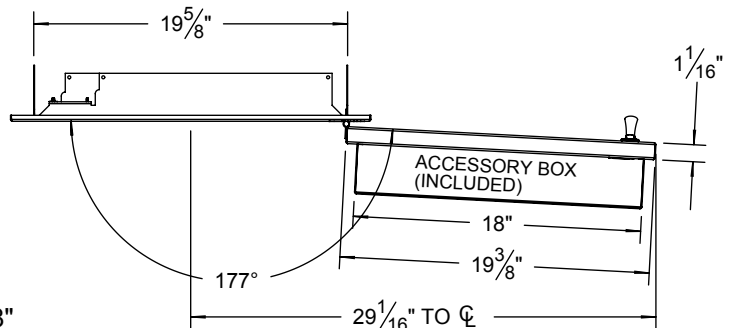
COUNTER FRONT CUTOUT REQUIREMENTS



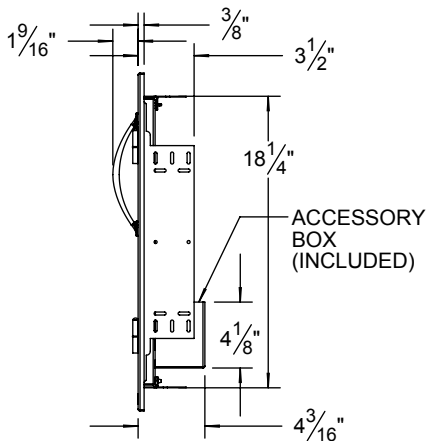
FRONT VIEW SINGLE WIDE DOORS



TOP VIEW: DIMENSIONS APPLY TO AB-23 L & R MODELS



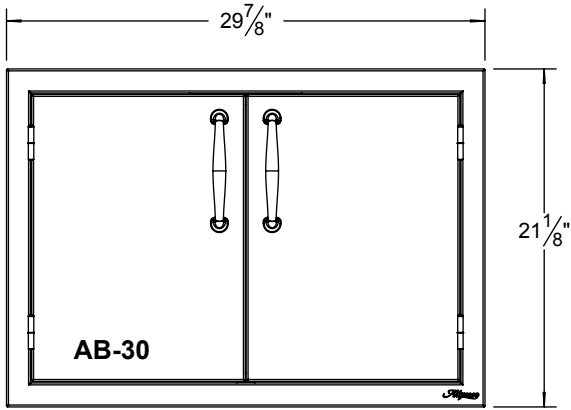
PROFILE (ALL DOORS)



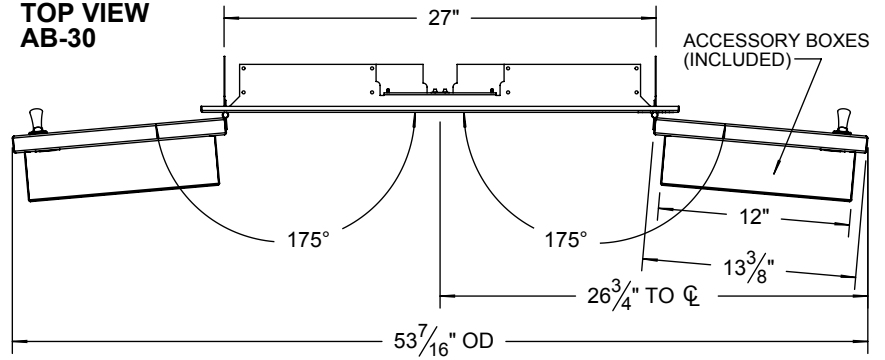
CUTOUT WIDTH DIMENSION (W):

- AB-17L & R = 13-7/8"
- AB-23L & R = 19-7/8"
- AB-30 = 27-1/4"
- AB-36 = 33-1/4"
- AB-42 = 39-1/4"

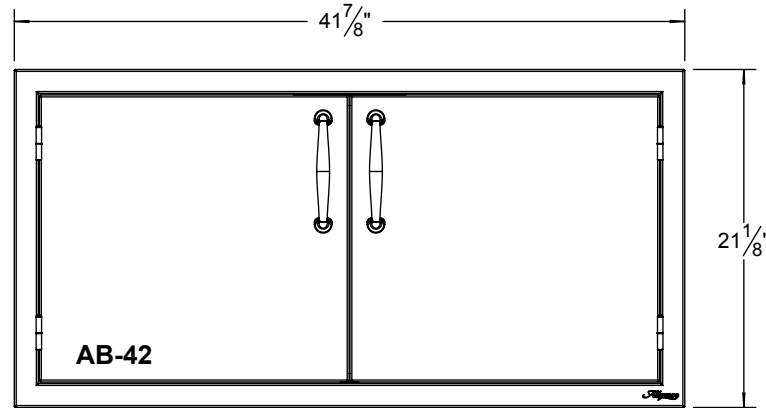
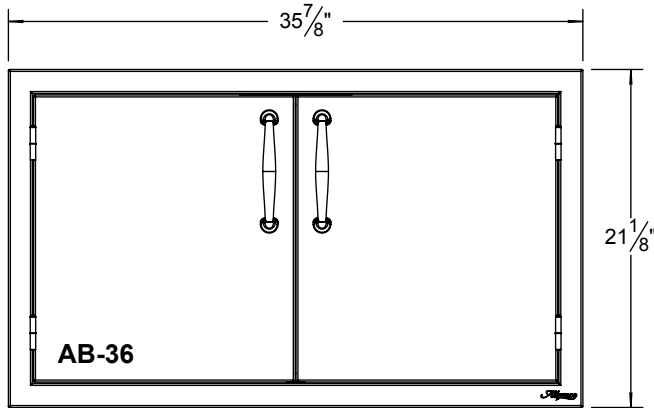
FRONT VIEW DOUBLE SIDED NARROW DOORS



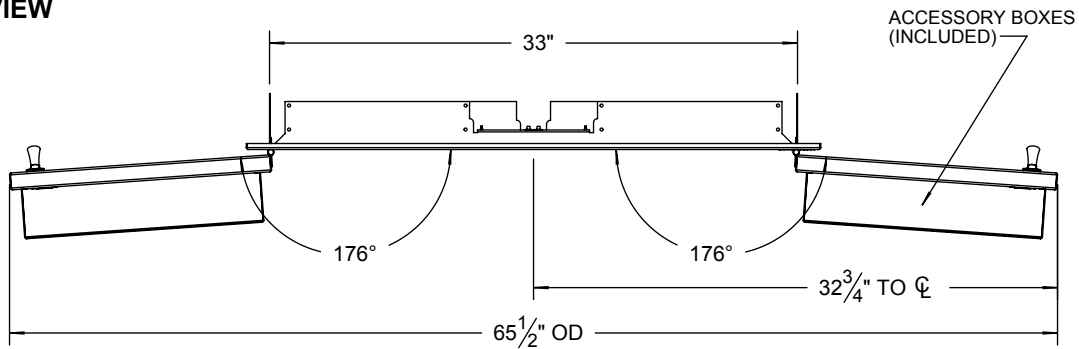
**TOP VIEW
AB-30**



FRONT VIEW DOUBLE SIDED WIDE DOORS



**TOP VIEW
AB-36**



**TOP VIEW
AB-42**

