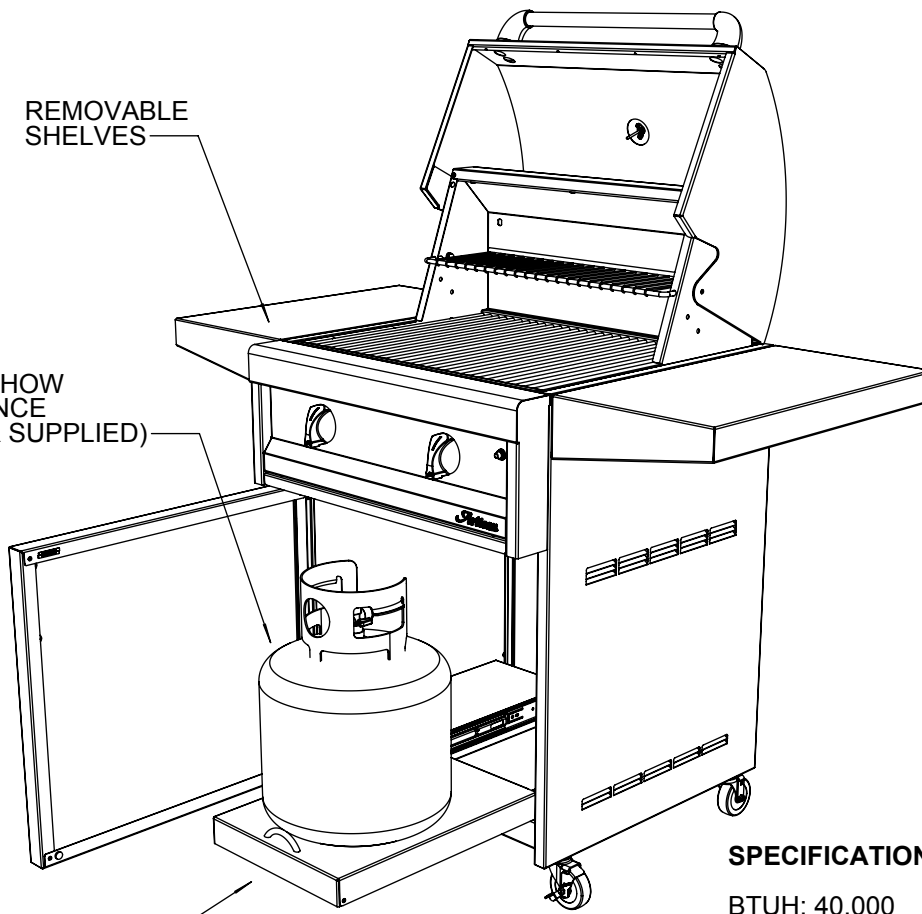


REMOVABLE SHELVES

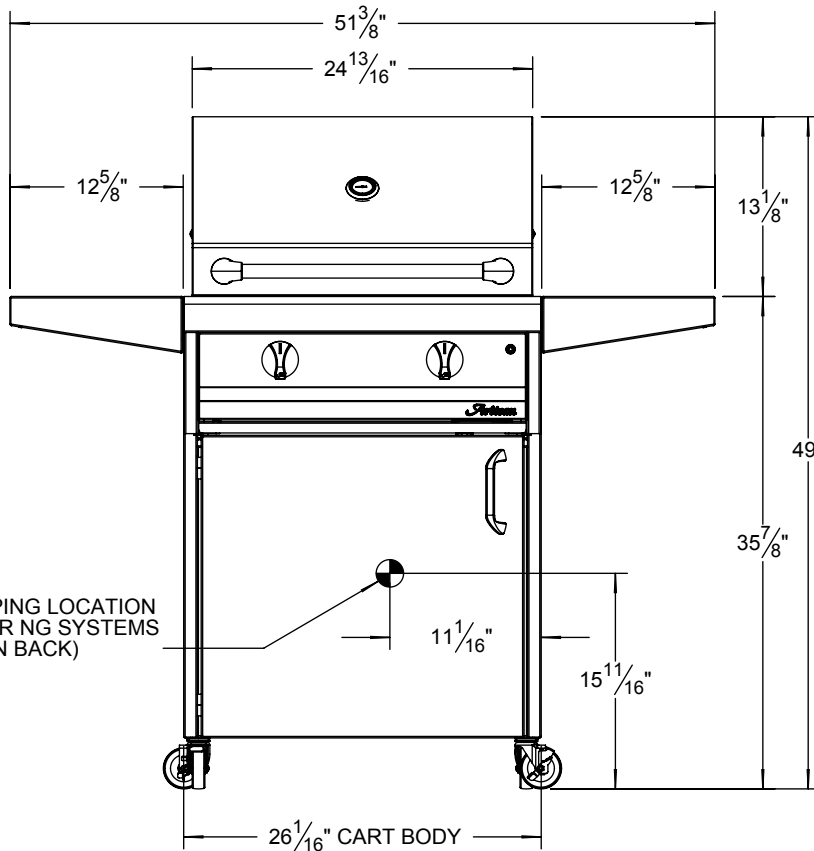
GAS TANK SHOW AS REFERENCE (CUSTOMER SUPPLIED)



GAS TANK SLIDING SHELF INCLUDED

SPECIFICATIONS:

BTUH: 40,000
 FUEL: NG @ 5 W.C. OR LP @ 10 W.C.
 ELECTRICAL POWER: 9 VDC IGNITION SYSTEM
 GAS CONNECTION: 1/2" NPT (NG) OR 3/8" ODF (LP)



PIPING LOCATION FOR NG SYSTEMS (ON BACK)

