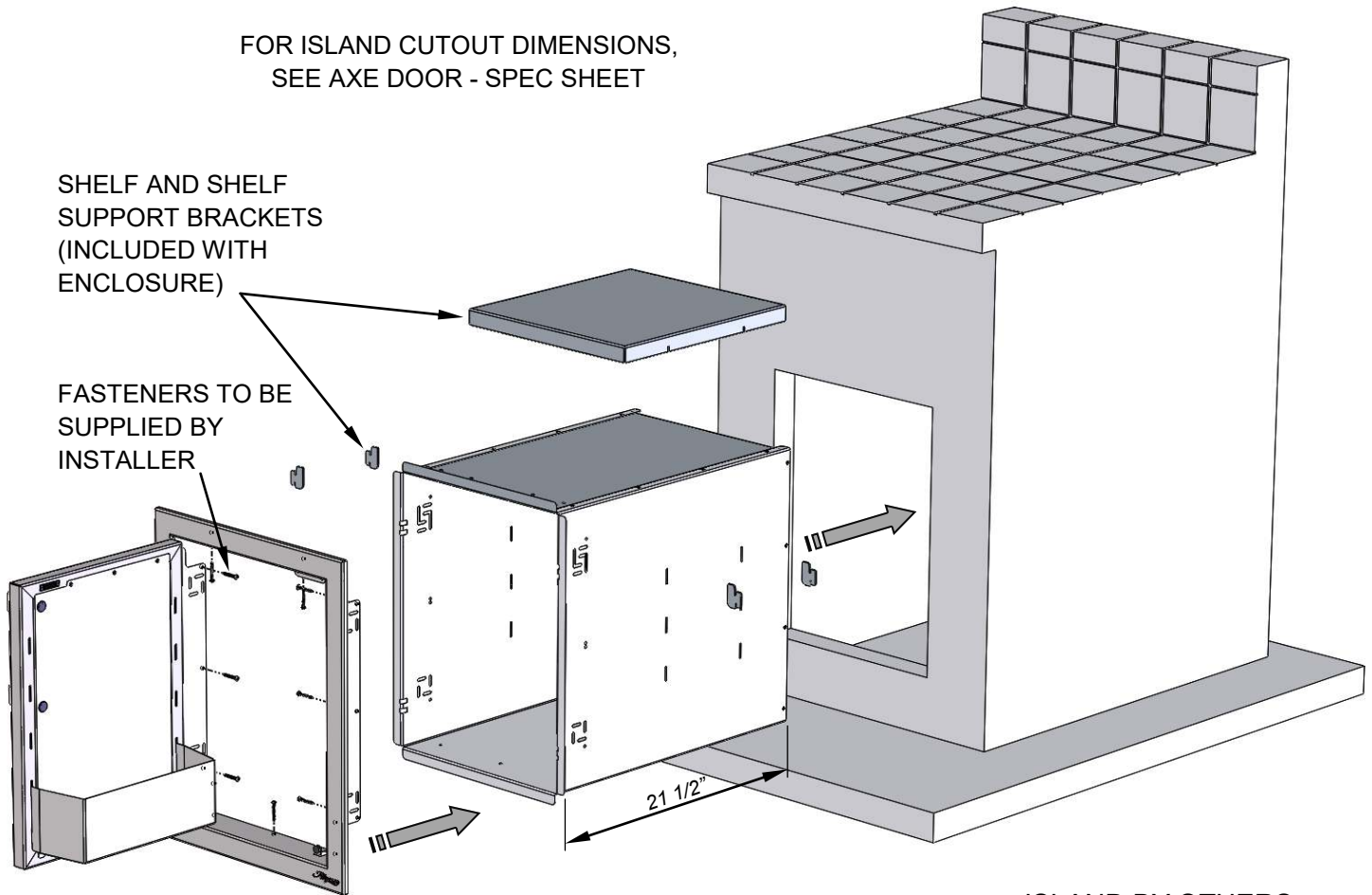


AXE-23E INSTALLATION

FOR ISLAND CUTOUT DIMENSIONS,
SEE AXE DOOR - SPEC SHEET



AXE-23L (SHOWN)
OR AXE-23R
DOOR ASSEMBLY

AXE-23E ENCLOSURE

ISLAND BY OTHERS

INSTRUCTIONS:

1. REMOVE THE SHELF AND THE SHELF BRACKETS FROM INSIDE THE ENCLOSURE (BRACKETS CAN ONLY BE INSERTED OR REMOVED FROM WITHIN THE ENCLOSURE).
2. INSERT THE DOOR ASSEMBLY INTO THE ENCLOSURE SO THAT THE FRONT OF THE ENCLOSURE FITS FLUSH TO THE BACK OF THE VERTICAL FACE OF THE DOOR FRAME.
3. INSERT THE ENCLOSURE INTO THE ISLAND UNTIL THE BACK EDGE OF THE DOOR FRAME BUTTS UP TO THE FRONT FACE OF THE ISLAND (IT MAY BE NECESSARY TO BUILD SOME RAILS TO SUPPORT THE ENCLOSURE, PREVENTING IT FROM ROTATING DOWNWARD AT THE BACK).
4. SECURE ENCLOSURE IN PLACE WITH SUITABLE FASTENERS THROUGH THE PROVIDED HOLES OR SLOTS (HOLES AND SLOTS WILL ALIGN IF THE DOOR HAS BEEN INSTALLED CORRECTLY).
5. INSERT THE SHELF SUPPORT BRACKETS AT THE PREFERRED HEIGHT, AND THEN INSERT THE SHELF.