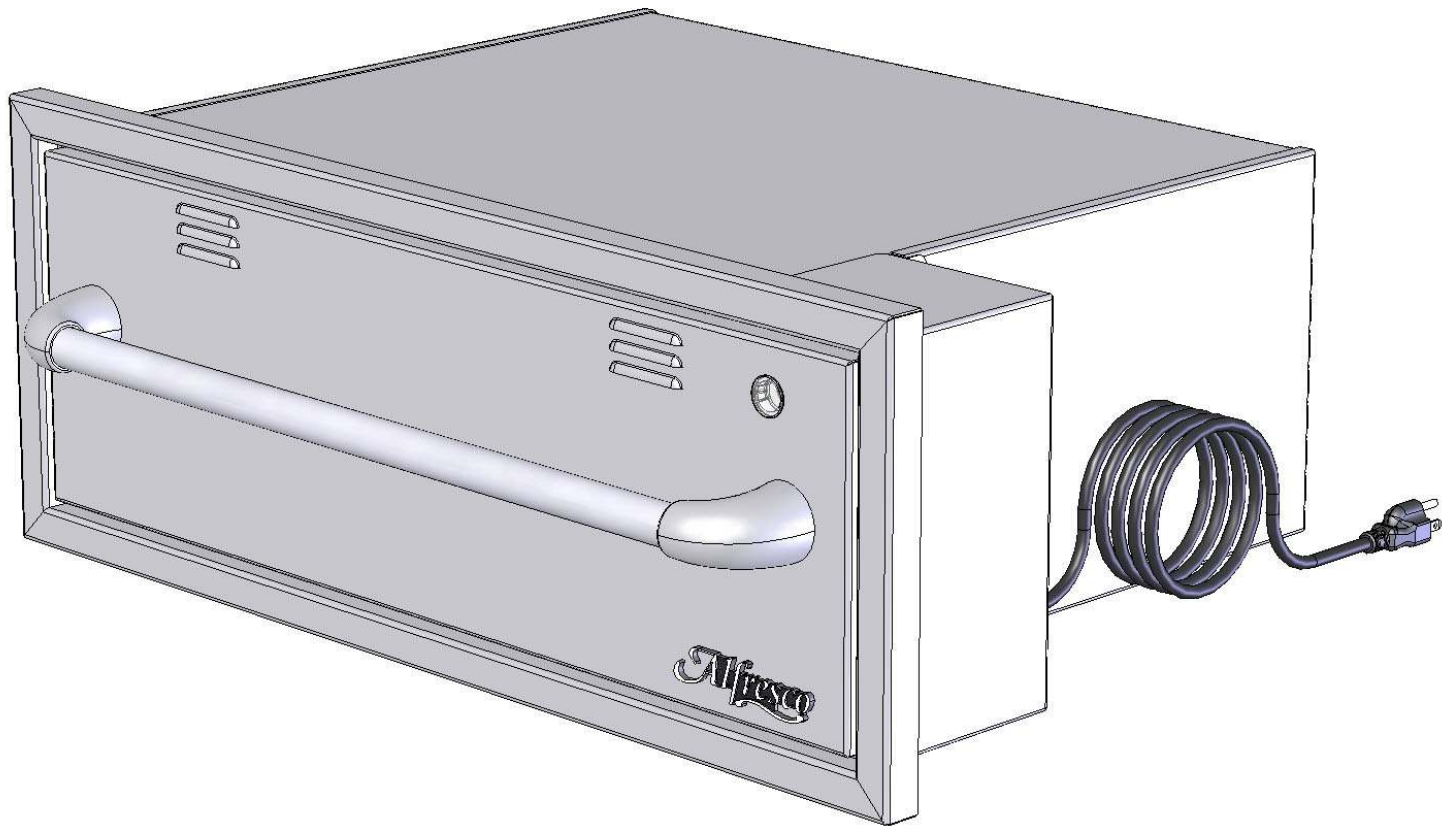


Alfresco™

Open Air Culinary Systems

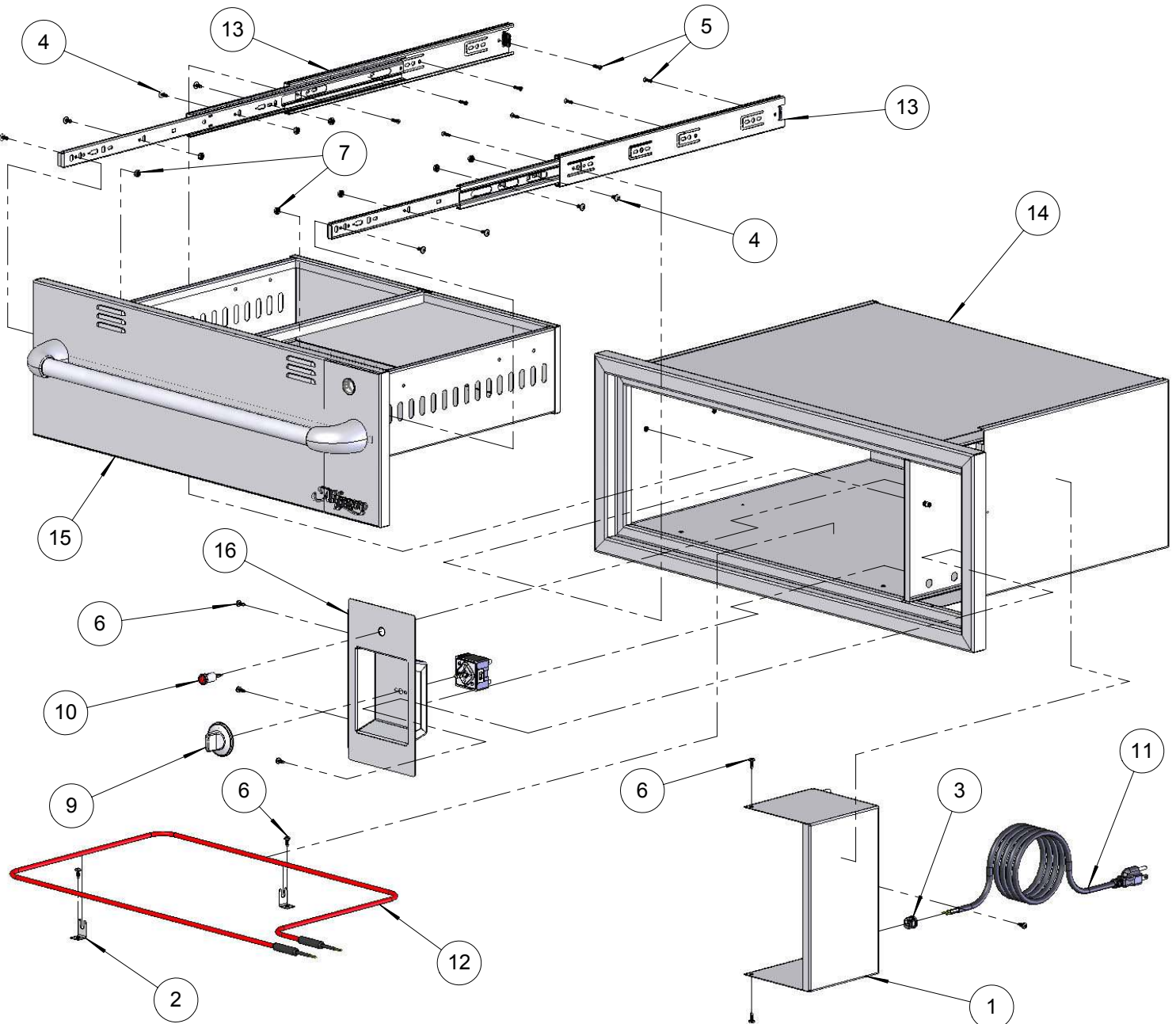


AWD-30

ALFRESCO™ 30" WARMING DRAWER - 115 VAC

BILL OF MATERIAL

NO.	PART NUMBER	DESCRIPTION	QTY.
1	130-1589	ELECTRICAL BOX	1
2	130-1599	HEATER SUPPORT CLIP	2
3	200-0009	HEYCO STRESS RELIEF BUSHING # 1200 SR 6N3-4	1
4	200-0085	8-32 X 3/8 - TRUSS HEAD - PHILIPS SCREW	8
5	200-0098	SCREW 6-32 X 1/2" - FLAT HEAD 82° - PHILIPS	8
6	200-0111	SCREW 8-18 X 1/2" - SS - MMC# 92364A194	8
7	200-0206	8-32 KEP NUT 18-8 STAINLESS	8
8	210-0284	INFINITE SWITCH KIT	1
9	210-0284	KNOB FOR INFINITE SWITCH	1
10	210-0285	PILOT LIGHT	1
11	210-0287	BLACK POWER SUPPLY CORD 125V 15A 14/3 X 8FT LONG	1
12	240-0006	HEATER 68" OL - 115 VAC - 450W	1
13	290-0137	ACCURIDE DRAWER SLIDE C3832-C18	2
14	510-0164	WARMING DRAWER HOUSING	1
15	510-0165	WARMING DRAWER	1
16	510-0166	WARMING DRAWER CONTROL PANEL	1



Alfresco
 SUPERIOR EQUIPMENT SOLUTIONS
 7039 EAST SLAUSON AVENUE
 COMMERCE, CA. 90040

THE INFORMATION CONTAINED IN THIS DRAWING IS THE SOLE PROPERTY OF SUPERIOR EQUIPMENT SOLUTIONS INC. ANY REPRODUCTION IN PART OR AS A WHOLE WITHOUT WRITTEN PERMISSION FROM SUPERIOR EQUIPMENT SOLUTIONS, INC. IS PROHIBITED.
DRAWN BY: ADRIAN CRISCI
CREATED: April 05, 2007 10:58:30 AM

PROJECT TITLE: AWD-30 UNIT
DRAWING TITLE:
AWD-30 WARMING DRAWER

DRAWING NO.:
500-0025 MANUAL-1
 SHEET 1 OF 1

BILL OF MATERIAL

NO.	PART NUMBER	DESCRIPTION	QTY.
1	130-1596	HANDLE	1
2	130-1602	DRAWER DIVIDER	1
3	200-0057	SCREW 1/4-20 X 1/2 - TRUSS HEAD - PHILPS	2
4	200-0202	1/4-20 TRUSS HD SCREW X 1 1/4 LONG (PHILIPS) 18-8 SS	4
5	290-0035	HANDLE END - 90° ELBOW	2
6	290-0211	1/4 SIZE FOOD PAN & LID COMBO	2
7	290-0212	1/2 SIZE FOOD PAN & LID COMBO	2
8	510-0251	AWD-30 DRAWER BODY	1
9	510-0252	AWD-30 DRAWER FASCIA	1

