

**BAR PACKAGE - ACCESSORIES INSTALLATION**

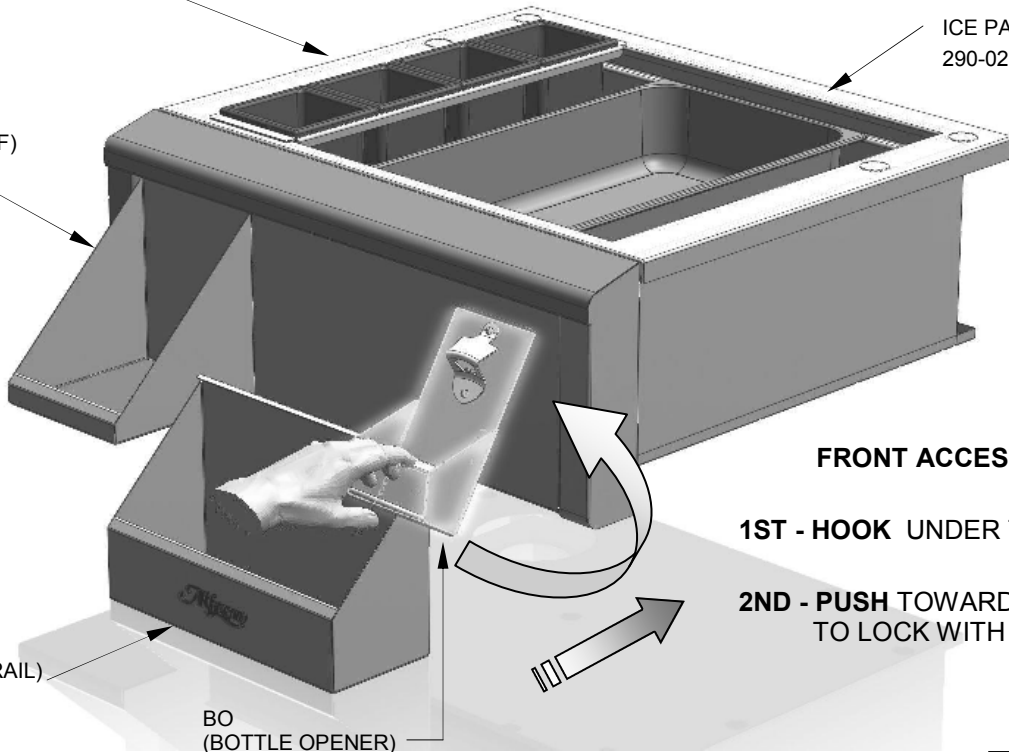


**TOP ACCESSORIES**  
SIMPLY DROP INTO SINK AND LOCATE AS NEEDED

BWELL  
(BOTTLE WELLS)  
510-0371

ICE PAN  
290-0201

BS  
(BLENDER SHELF)  
510-0353



**FRONT ACCESSORIES**

**1ST - HOOK** UNDER TOP CAP LIP

**2ND - PUSH TOWARDS FRONT PLATE**  
TO LOCK WITH MAGNET

SPR-SM  
(SMALL SPEED RAIL)  
510-0355

BO  
(BOTTLE OPENER)  
510-0356

TOP CAP "BOTTOM LIP"  
TO REST ACCESSORIES

ACCESSORIES THAT MOUNT ON TOP OF THE UNIT SIMPLY DROP INTO THE SINK AND ARE SUPPORTED BY THE SINK RIM OR SINK STEPS.

ACCESSORIES THAT MOUNT ON THE FRONT OF THE UNIT HAVE A MAGNETIC BACKING PAD. HOOK THE ACCESSORY UNDER THE FRONT TOP CAP "LIP" FOR SUPPORT AND PUSH TOWARDS THE FRONT PLATE TO LOCK IN PLACE.

ALL FRONT ACCESSORIES CAN BE LOCATED AS DESIRED.

TYPICAL ACCESSORY  
IE: BOTTLE CAP OPENER

