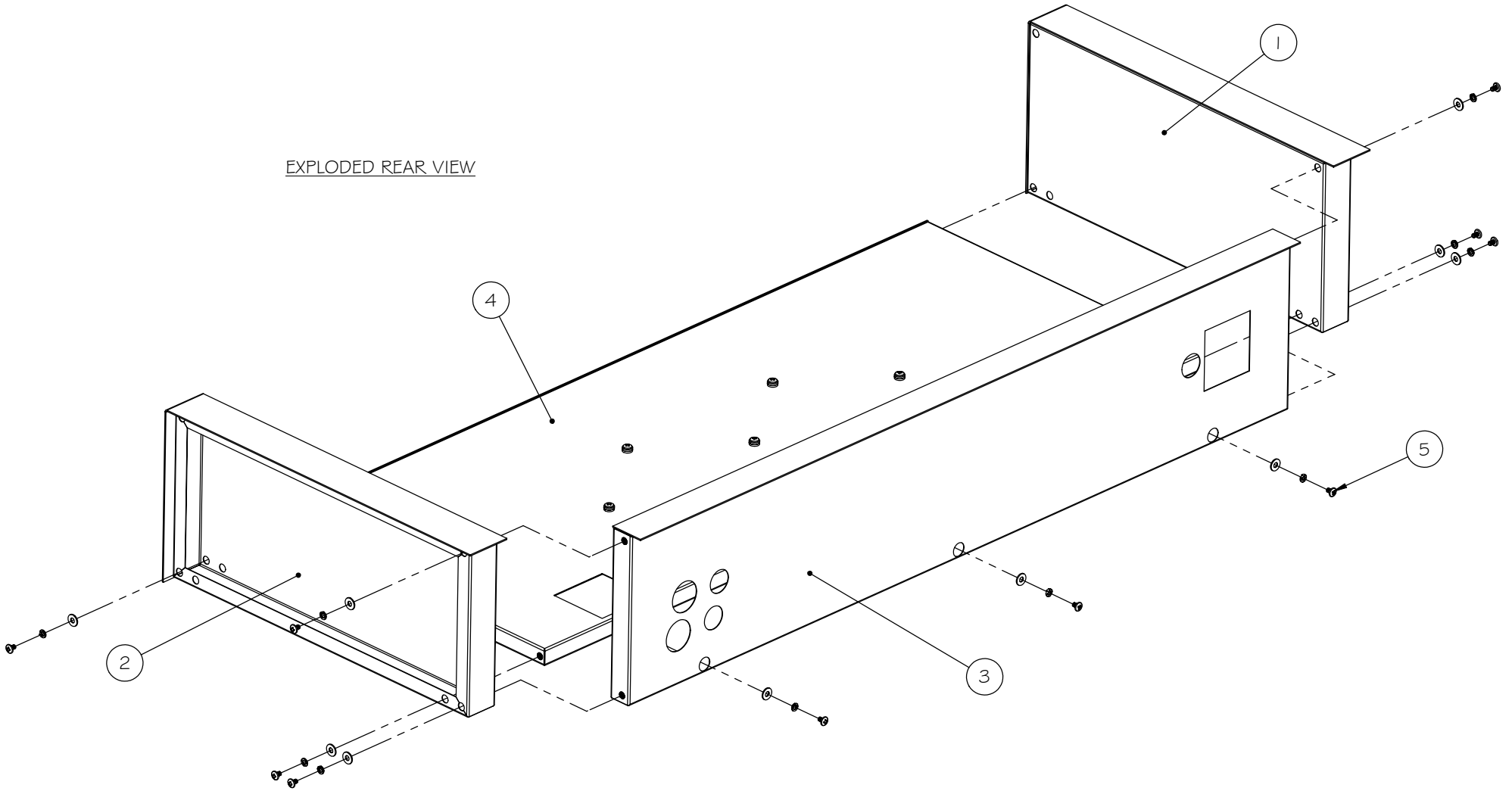


EXPLODED REAR VIEW



**NOTES: All fasteners, bolts and washers are included.
Refer to Kit# 310-0454**

BILL OF MATERIAL			
NO.	PART NUMBER	DESCRIPTION	QTY.
1	310-0455	LT SIDE PANEL	1
2	310-0456	RT SIDE PANEL	1
3	310-0461	REAR PANEL	1
4	310-0462	BOTTOM PANEL	1
5	310-0453	AIJ-30/42 ASSEMBLY KIT	1

Alfresco
SUPERIOR EQUIPMENT SOLUTIONS
7039 EAST SLAUSON AVENUE
COMMERCE, CA. 90040

THE INFORMATION CONTAINED IN THIS DRAWING IS THE SOLE PROPERTY OF SUPERIOR EQUIPMENT SOLUTIONS, INC. ANY REPRODUCTION IN PART OR IS A WHOLE, WITHOUT WRITTEN PERMISSION FROM SUPERIOR EQUIPMENT SOLUTIONS, INC. IS PROHIBITED

CREATED: Tuesday, March 06, 2007 10:41:21
DRAWN BY: Jorge Pelayo

CUSTOMER:
SES

PROJECT TITLE:
AIJ-56 ASSY INSTRUCTIONS

DRAWING NO.:
510-0246

DRAWING TITLE:
56in. BBQ INSULATED JACKET

SIZE: LETTER
SHEET 2 OF 3

I:\DWGS\Alfresco\INSULATED JACKETS\56 IN JACKET\