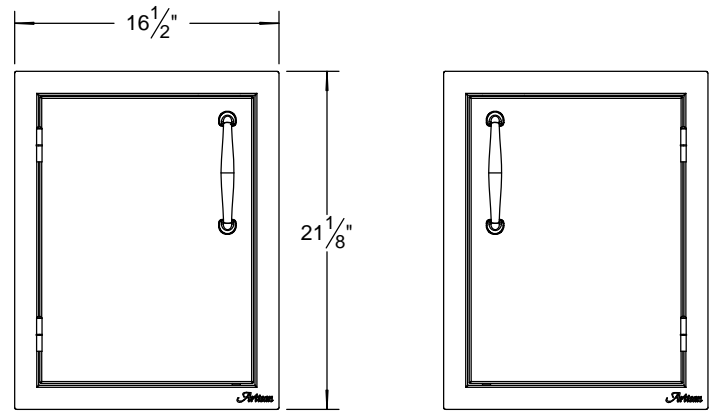


**ARTP - ACCESS DOOR TYPICAL INSTALLATION**

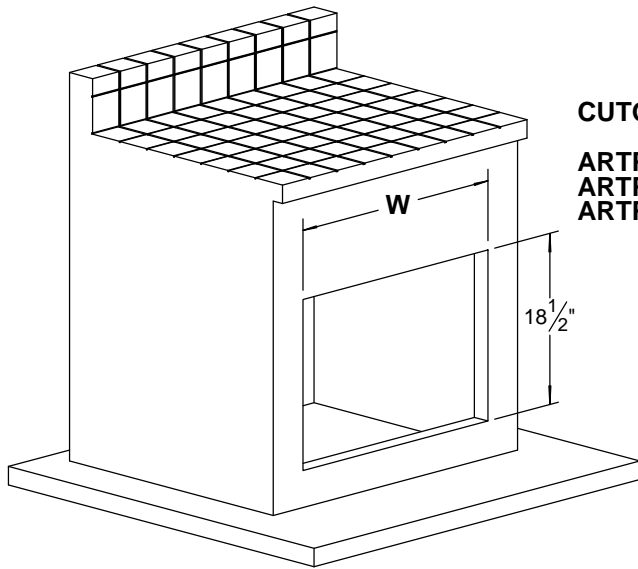
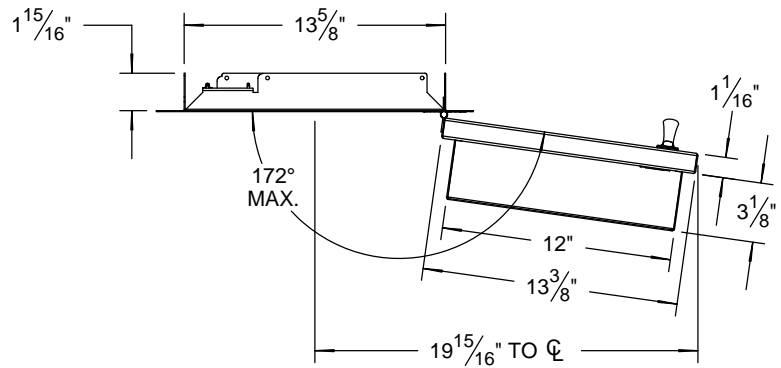
**COUNTER FRONT CUTOUT REQUIREMENTS**



**ARTP-SDL**

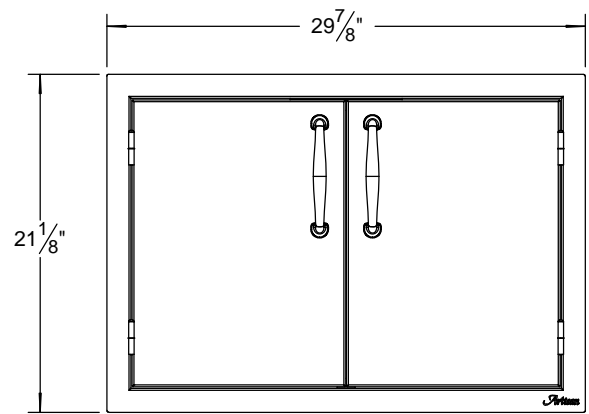
**ARTP-SDR**

**TOP VIEW: DIMENSIONS APPLY TO ARTP-SDL / SDR**



**CUTOUT WIDTH (W):**

- ARTP-SDL: 13-7/8"**
- ARTP-SDR: 13-7/8"**
- ARTP-DD: 27-1/4"**



**ARTP-DD**

**PROFILE (ALL DOORS)**

