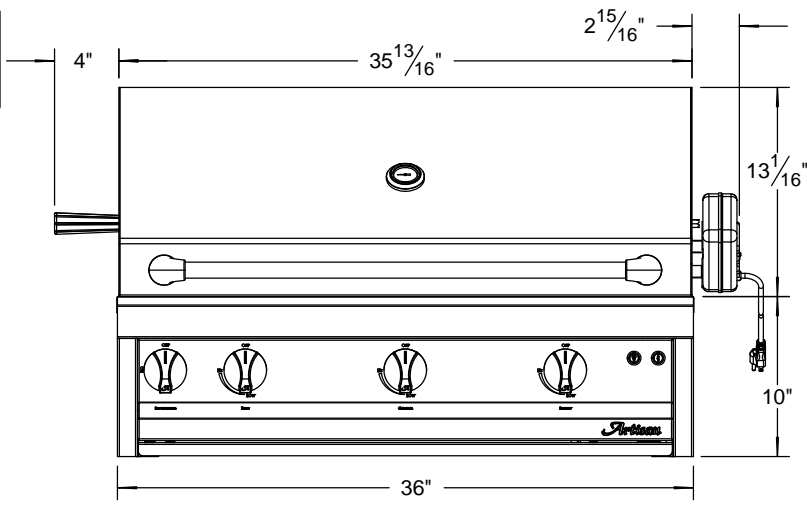
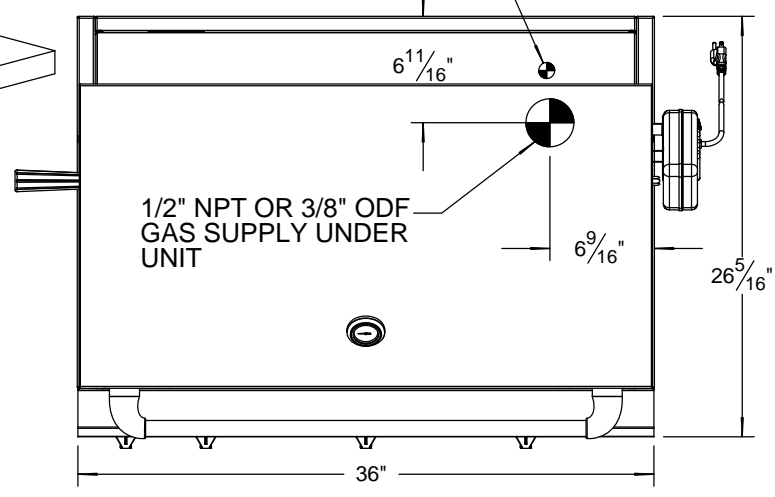
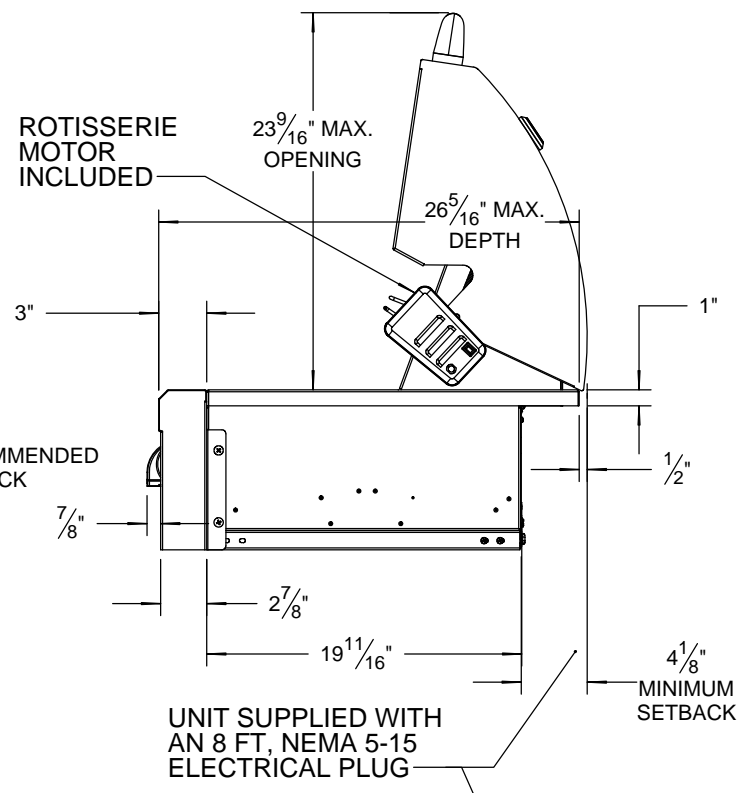
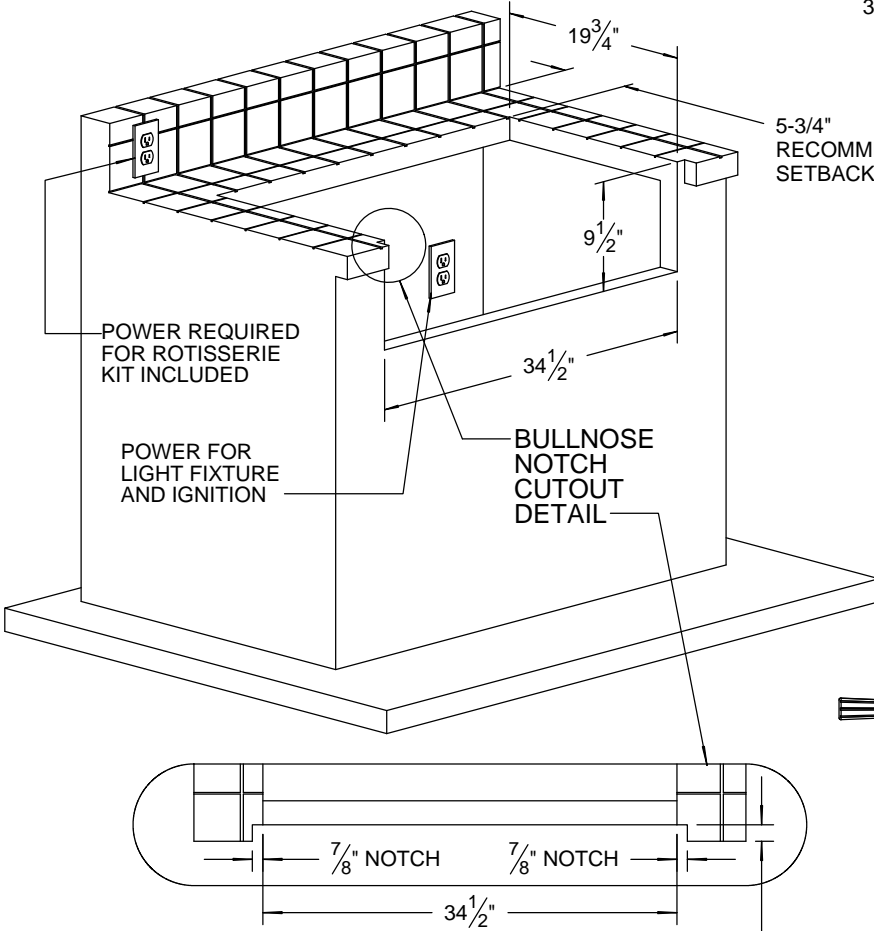


TYPICAL ARTP-36 INSTALLATION



COUNTERTOP CUTOUT REQUIREMENTS



SPECIFICATIONS:

BTUH = 75,000
 FUEL NG @ 5 W.C. / LP @ 10 W.C.
 ELECTRICAL POWER: 115 VAC / 0.71AMPS / 60 Hz.
 GAS CONNECTION: 1/2" NPT (NG) OR 3/8" ODF (LP)

DEPTH EQUAL TO BULLNOSE OVERHANG

NOTE:
 COUNTER MUST HAVE THE PROPER GAS SUPPLY AND ELECTRICAL POWER FOR YOUR ARTISAN BBQ.



THE INFORMATION CONTAINED IN THIS DRAWING IS THE SOLE PROPERTY OF SUPERIOR EQUIPMENT SOLUTIONS INC. ANY REPRODUCTION IN PART OR AS A WHOLE WITHOUT WRITTEN PERMISSION FROM SUPERIOR EQUIPMENT SOLUTIONS, INC. IS PROHIBITED.
DRAWN BY: Jorge Pelayo
CREATED: Thursday, March 03, 2016

PROJECT TITLE:
ARTISAN GRILLS
DRAWING TITLE:
ARTP-36 SPECIFICATIONS

DRAWING NO.:
ARTP-36 SPEC SHEET
 SHEET 1 OF 1