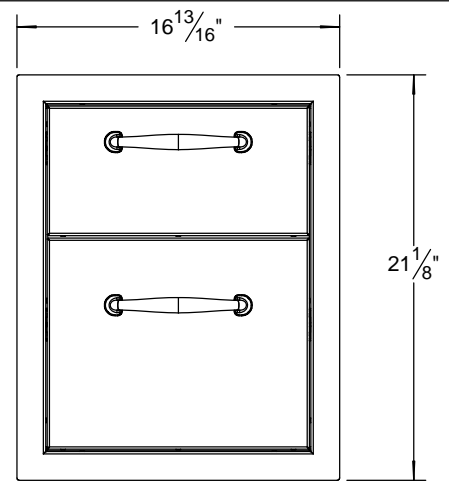


ARTP-2DR TYPICAL INSTALLATION



COUNTERFRONT CUTOUT REQUIREMENTS

