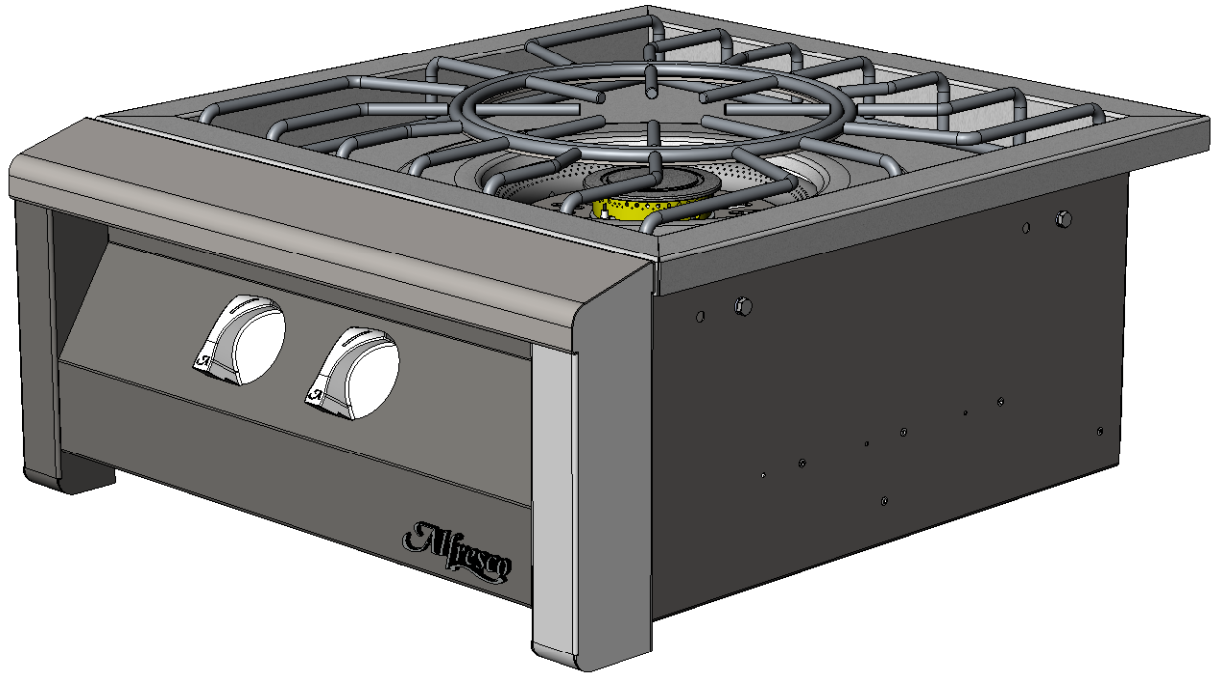


Alfresco™

Open Air Culinary Systems

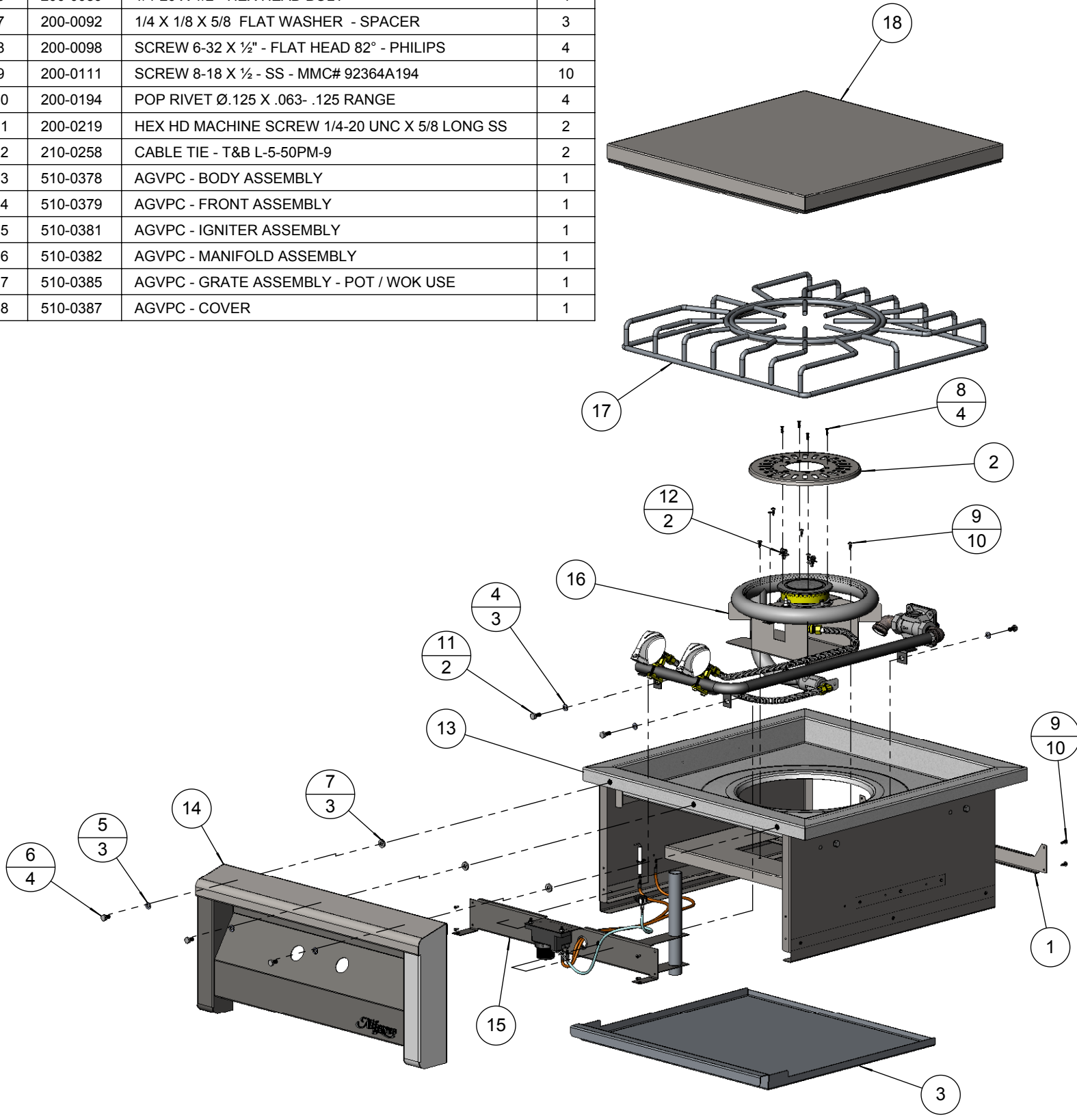


AGVPC

VERSAPOWER™ COOKING SYSTEM

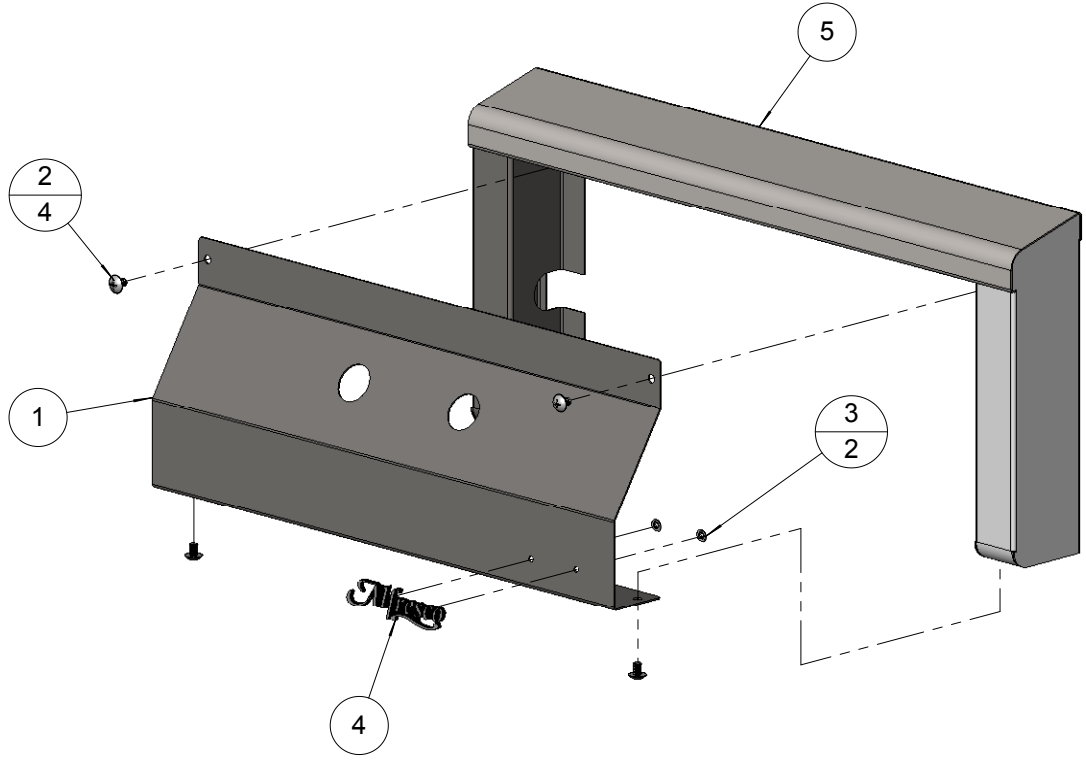
BILL OF MATERIAL

NO.	PART NUMBER	DESCRIPTION	QTY
1	100-1475	AGVPC BACK BODY BRACKET	1
2	100-1478	AGVPC TOP DECK BURNER CAP	1
3	100-1482	AGVPC GREASE TRAY	1
4	200-0087	WASHER - 1/4" SPRING LOCK- REGULAR - SS	3
5	200-0087	1/4" LOCK WASHER	3
6	200-0089	1/4-20 X 1/2 - HEX HEAD BOLT	4
7	200-0092	1/4 X 1/8 X 5/8 FLAT WASHER - SPACER	3
8	200-0098	SCREW 6-32 X 1/2" - FLAT HEAD 82° - PHILIPS	4
9	200-0111	SCREW 8-18 X 1/2 - SS - MMC# 92364A194	10
10	200-0194	POP RIVET Ø.125 X .063- .125 RANGE	4
11	200-0219	HEX HD MACHINE SCREW 1/4-20 UNC X 5/8 LONG SS	2
12	210-0258	CABLE TIE - T&B L-5-50PM-9	2
13	510-0378	AGVPC - BODY ASSEMBLY	1
14	510-0379	AGVPC - FRONT ASSEMBLY	1
15	510-0381	AGVPC - IGNITER ASSEMBLY	1
16	510-0382	AGVPC - MANIFOLD ASSEMBLY	1
17	510-0385	AGVPC - GRATE ASSEMBLY - POT / WOK USE	1
18	510-0387	AGVPC - COVER	1



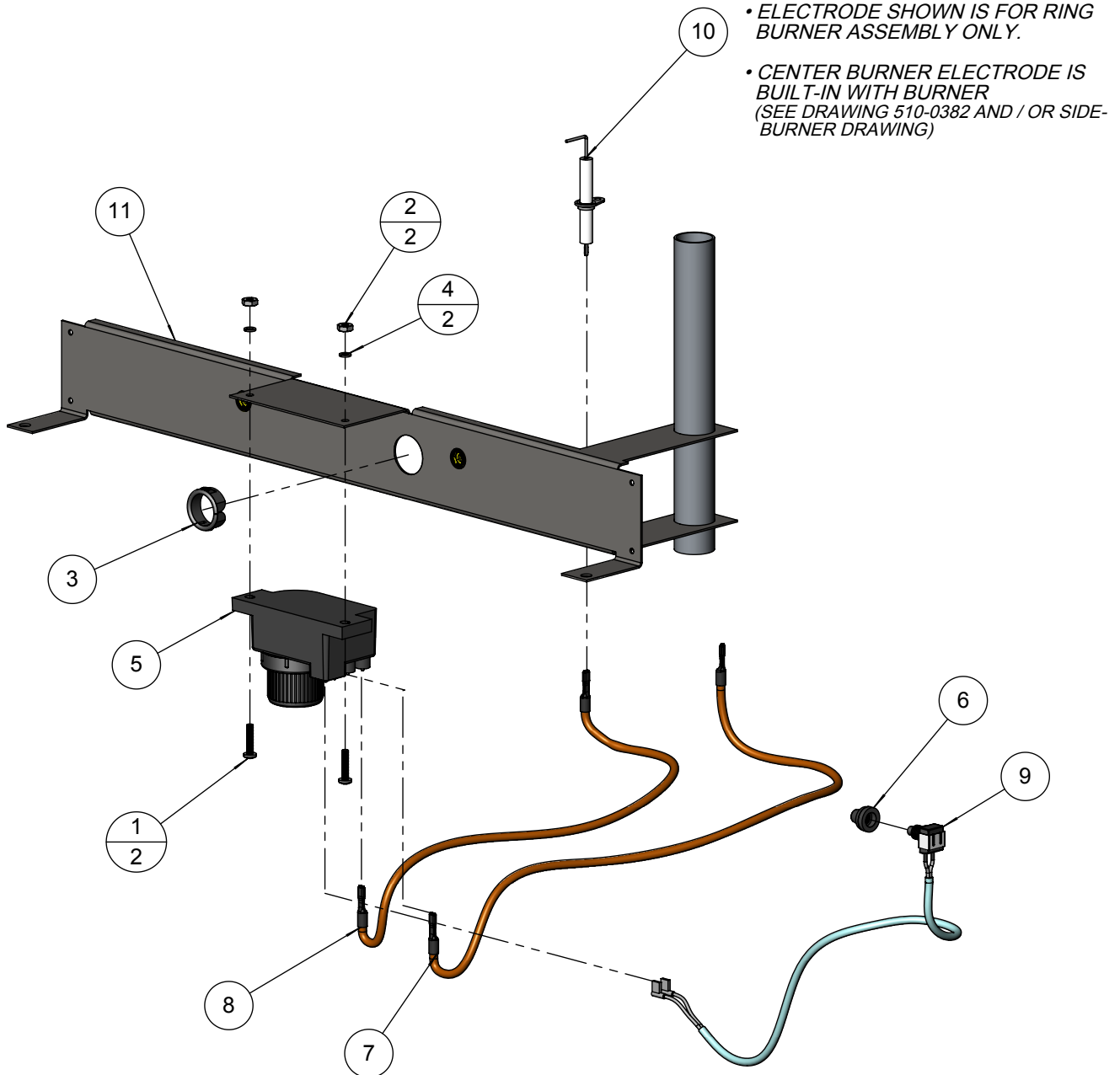
BILL OF MATERIAL

NO.	PART NUMBER	DESCRIPTION	QTY.
1	100-1472	AGVPC FRONT PANEL	1
2	200-0086	1/4-20 X 3/8 - TRUSS HEAD - PHILIPS SCREW	4
3	200-0093	WASHER - PUSH LOCK 1/8" ID X 3/8" OD (FOR LOGO)	2
4	290-0031	LOGO - ALFRESCO	1
5	510-0380	AGVPC - FRONT ASSEMBLY- WELDED PARTS	1



BILL OF MATERIAL

NO.	PART NUMBER	DESCRIPTION	QTY.
1	200-0079	8-32 X 3/4 - PAN HEAD - PHILIPS SCREW	2
2	200-0080	8-32 - DOUBLE CHAMFER - HEX NUT	2
3	200-0081	BUSHING HEYCO OCB-1000 - PART # 2878	1
4	200-0200	WASHER - # 8 - LOCK SPRING - SS	2
5	210-0195	IGNITER MODULE - 2 POINTS (WITH CAP)	1
6	210-0198	SWITCH - WEATHER BOOT & CAP	1
7	210-0216	AGVPC IGNITION WIRE (TO THE CENTER BURNER)	1
8	210-0216	AGVPC IGNITION WIRE (TO THE RING BURNER)	1
9	210-0340	AGVPC IGNITION SWITCH - OFF [ON] MOMENTARY	1
10	210-0498	ELECTRODE "L" SHAPED - AGVPC RING BURNER	1
11	510-0398	AGVPC - IGNITER ASSEMBLY ► WELDED PARTS	1



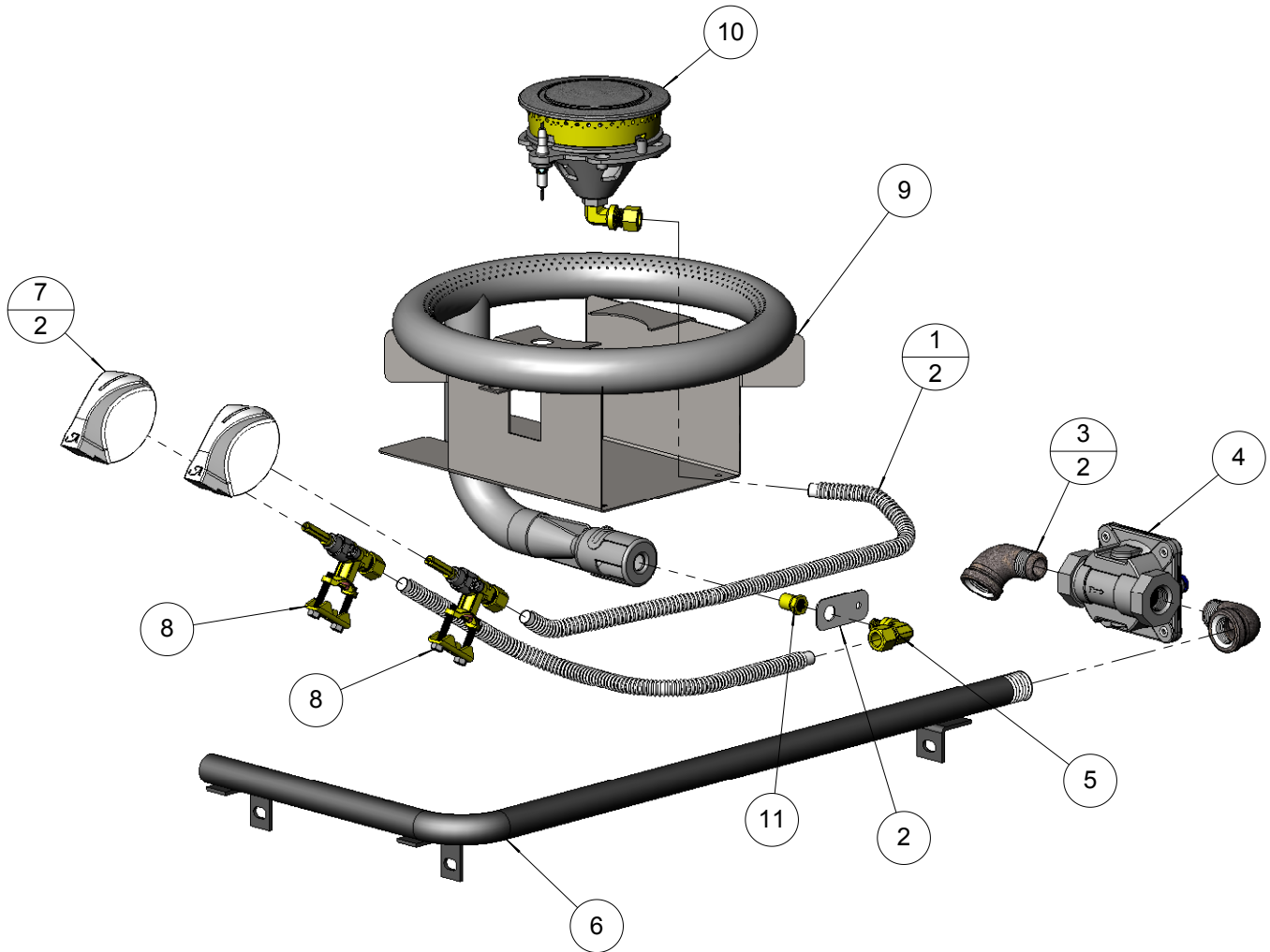
NOTE: ITEM 12 (ASSEMBLY 510-0398) IS SHOWN FOR ILLUSTRATION AND GENERAL ASSEMBLY PURPOSES ONLY. THIS ASSEMBLY IS ACTUALLY PART OF THE MAIN BODY ASSEMBLY 510-0378 SHOWN ON DRAWING 500-0063B

BILL OF MATERIAL

NO.	PART NUMBER	DESCRIPTION	QTY.
1	100-0941	AGVPC - BURNER GAS LINE - 3/8" X 24" -SS	2
2	100-1067	SMOKER & SZ™ ORIFICE BRACKET	1
3	200-0274	ELBOW 90° - CAST IRON - 1/2" FPT x 1/2" MPT	2
4	220-0280	REGULATOR GAS - MAXITROL RV48CL440002	1
5	220-0293	ELBOW 1/4" FPT x 3/8" COMP	1
6	220-0298	MANIFOLD - SIDE BURNER - DUAL VALVE	1
7	290-0030	KNOB BBQ - ALFRESCO "A" LETTER	2
8	290-0042	GAS VALVE - SIDE BURNER - WITH INTERNAL ORIFICE	2
9	510-0383	AGVPC - PERIMETER BURNER ASSEMBLY	1
10	SEE NOTE	AGVPC - CENTER BURNER ASSEMBLY	1
11	SEE NOTE	AGVPC PERIMETER BURNER NOZZLE ORIFICE	1

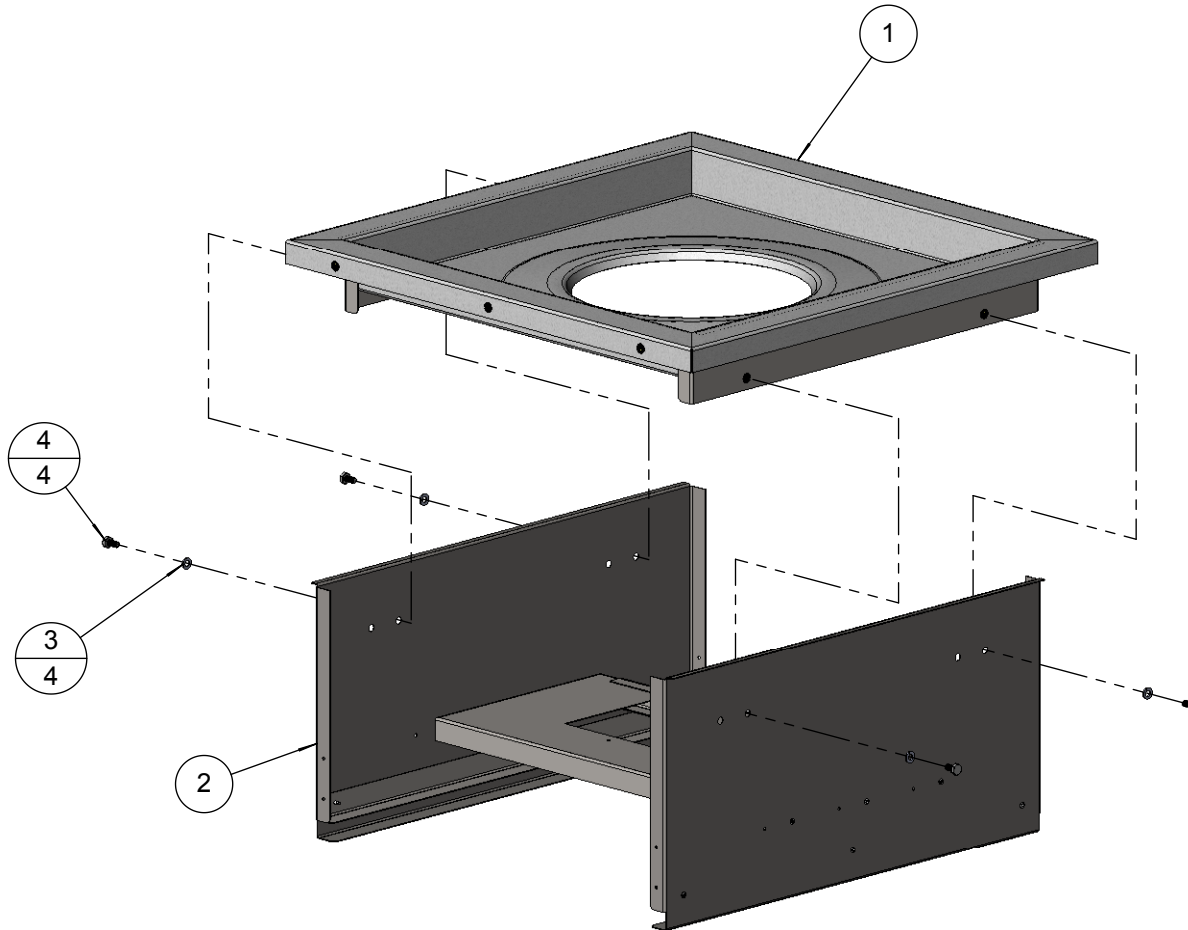
NOTE: THE FOLLOWING ITEMS WILL CHANGE PART NUMBERS DEPENDING UPON THE GAS SUPPLY, NATURAL GAS (NG) OR LIQUID PROPANE (LP)

ITEM N°	NG	LP
	PART N°	PART N°
10	290-0070	290-0071
11	220-0370	220-0290



BILL OF MATERIAL

NO.	PART NUMBER	DESCRIPTION	QTY.
1	510-0448	AGVPC - TOP BODY SUBASSEMBLY	1
2	510-0449	AGVPC - BOTTOM BODY SUBASSEMBLY	1
3	200-0087	WASHER - 1/4" SPRING LOCK- REGULAR - SS	4
4	200-0089	1/4-20 X 1/2 - HEX HEAD BOLT	4



NOTE: AGVPC UNITS BUILT AFTER 07/2009 HAVE BODIES BUILT WITH TWO ASSEMBLIES, TOP (510-0448), ITEM 1 AND BOTTOM (510-0449), ITEM 2, MAKING THE TOP OR BOTTOM ASSEMBLIES REPLACEABLE BY THEMSELVES.

FOR REPLACEMENT, VERIFY IF THE AGVPC UNIT'S BODY HAS SIDE MOUNTED BOLTS (ITEM 4) TO ORDER TOP OR BOTTOM ASSEMBLIES AS NEEDED.
 IF THE UNIT **DOES NOT** HAVE SIDE BOLTS, THEN THE ENTIRE ASSEMBLY 510-0378 MUST BE ORDERED FOR PROPER REPLACEMENT.

NOTE:

SIDE BURNER ASSEMBLIES ARE USED IN AGBQ AND ALX2 BARBEQUES, AGVPC UNIT (VERSAPOWER™) COOKING SYSTEMS AS WELL AS INDIVIDUAL UNITS (AGSB-2) BUT CAN ALSO BE ORDERED AS A WHOLE UNIT (KIT) FOR NATURAL GAS (NG) OR LIQUID PROPANE (LP).

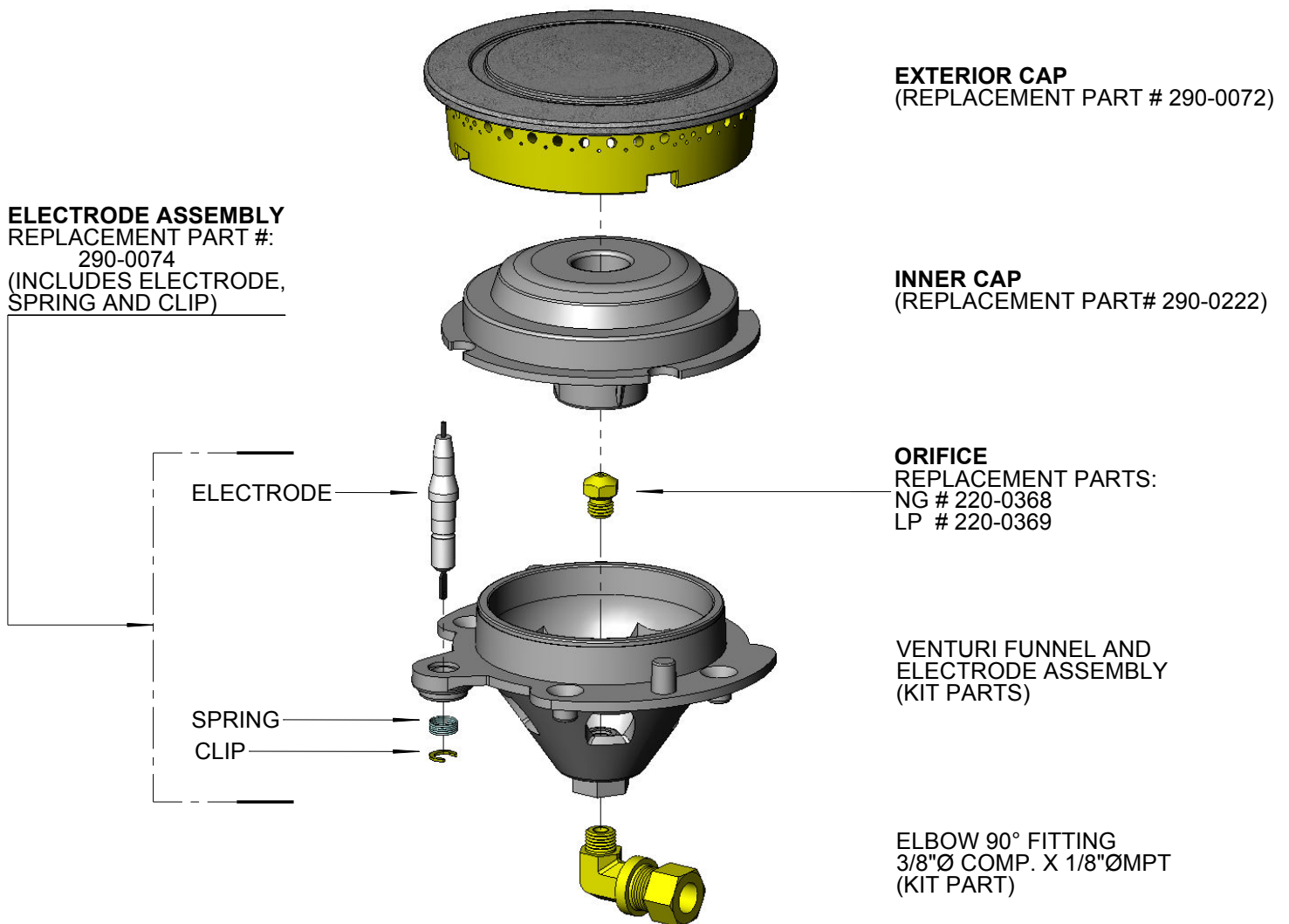
COMPLETE KITS NUMBERS:

NATURAL GAS (NG) = 290-0070

LIQUID PROPANE (LP) = 290-0071

CAPS, ORIFICES AND ELECTRODES CAN BE INDIVIDUALLY REPLACED IF REQUIRED - SEE NUMBERS BELOW.

ELECTRODE ASSEMBLY
REPLACEMENT PART #:
290-0074
(INCLUDES ELECTRODE,
SPRING AND CLIP)



EXTERIOR CAP
(REPLACEMENT PART # 290-0072)

INNER CAP
(REPLACEMENT PART# 290-0222)

ORIFICE
REPLACEMENT PARTS:
NG # 220-0368
LP # 220-0369

**VENTURI FUNNEL AND
ELECTRODE ASSEMBLY**
(KIT PARTS)

ELBOW 90° FITTING
3/8"Ø COMP. X 1/8"ØMPT
(KIT PART)