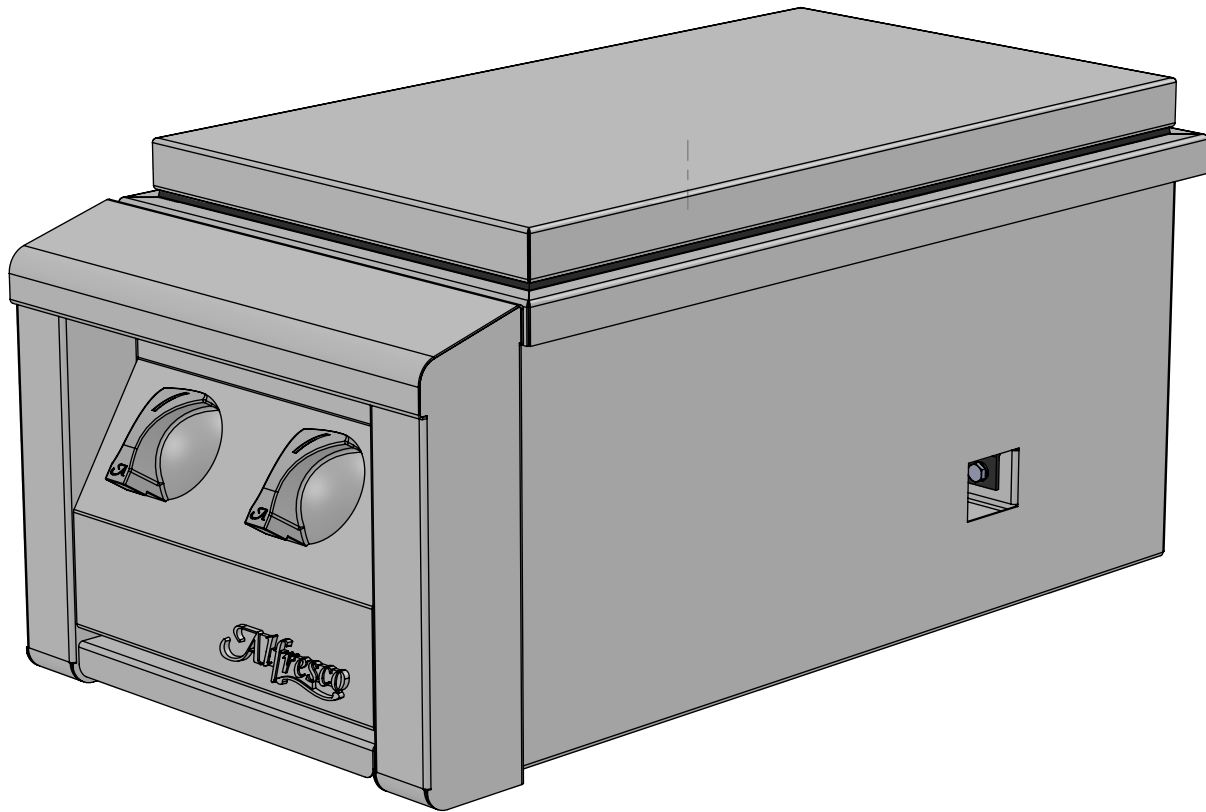


REV.N°:	DESCRIPTION:	DATE:	BY:

# Alfresco™

Open Air Culinary Systems



**AGSB-2**

**BUILT-IN DUAL SIDE BURNER UNIT**

**Alfresco™**  
 SUPERIOR EQUIPMENT SOLUTIONS  
 7039 EAST SLAUSON AVENUE  
 COMMERCE, CA. 90040

THE INFORMATION CONTAINED IN THIS DRAWING IS THE SOLE PROPERTY OF SUPERIOR EQUIPMENT SOLUTIONS INC. ANY REPRODUCTION IN PART OR AS A WHOLE WITHOUT WRITTEN PERMISSION FROM SUPERIOR EQUIPMENT SOLUTIONS, INC. IS PROHIBITED.  
**DRAWN BY:** ADRIAN CRISCI  
**CREATED:** Tuesday, March 29, 2005 2:23:42 PM

**PROJECT TITLE:** AGSB-2 UNIT  
**DRAWING TITLE:**  
 DUAL SIDE BURNER UNIT  
 P:\C:\Working\AGSB-2\

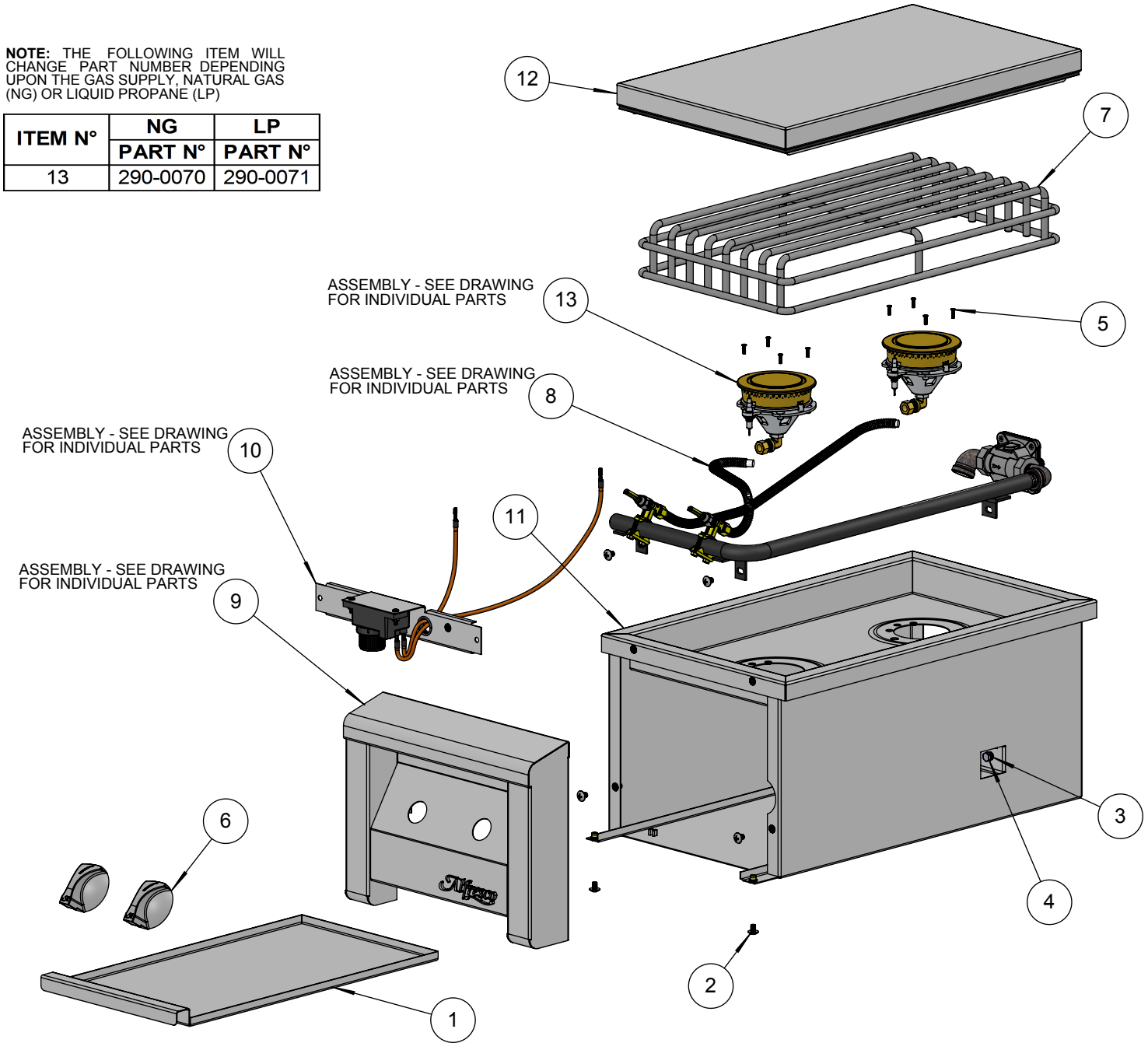
**DRAWING NO.:**  
 500-0007  
 SHEET 1 OF 1

**BILL OF MATERIAL**

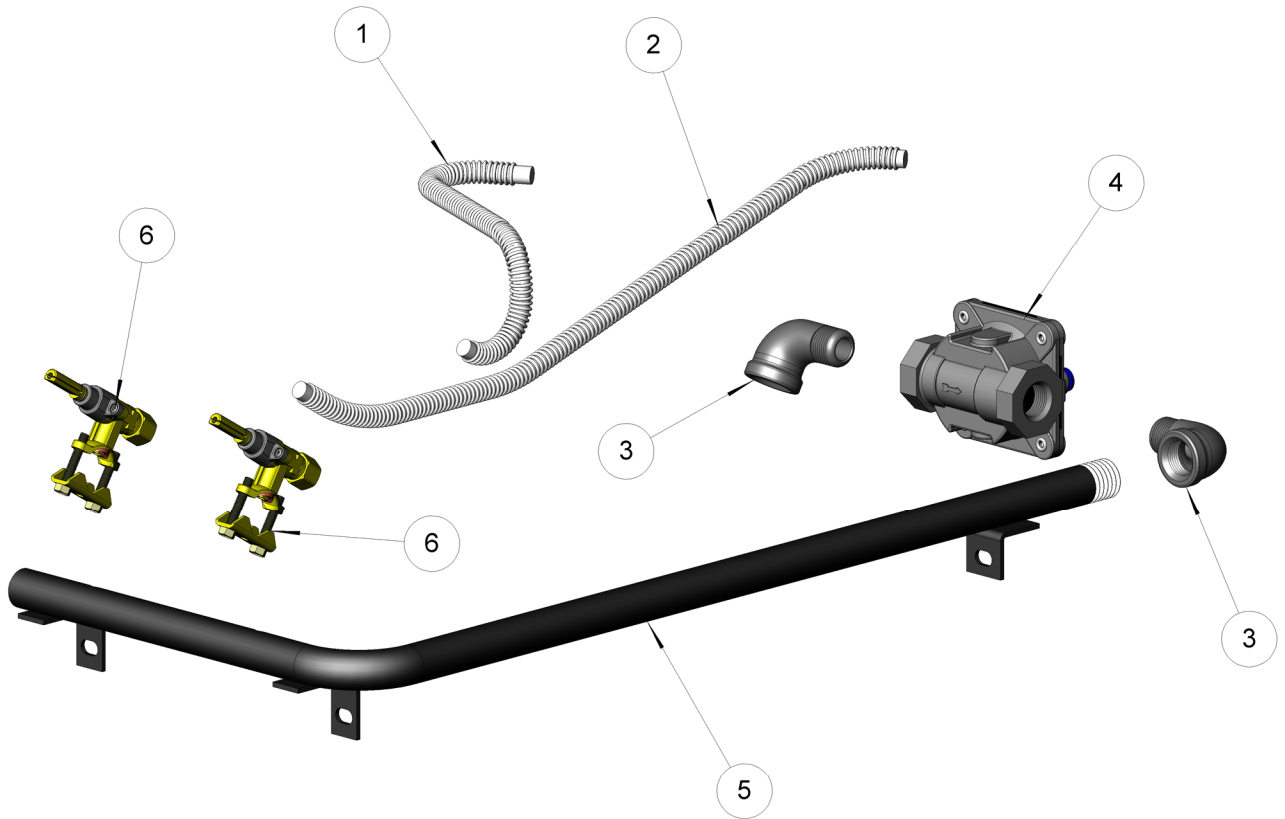
NO.	PART NUMBER	DESCRIPTION	QTY.
1	130-1139	DRIP TRAY	1
2	200-0086	1/4-20 X 3/8 - TRUSS HEAD - PHILIPS SCREW	6
3	200-0087	1/4" LOCK WASHER	1
4	200-0089	BOLT - HEX HEAD 1/4-20 x 1/2" L	1
5	200-0098	SCREW 6-32 X 1/2" - FLAT HEAD 82° - PHILIPS	8
6	290-0030	KNOB BBQ - ALFRESCO "A" LETTER	2
7	290-0069	GRATE - DUAL SIDE BURNER	1
8	510-0053	DUAL SIDE BURNER - GAS MANIFOLD ASSY.	1
9	510-0055	DUAL SIDE BURNER - FRONT ASSEMBLY	1
10	510-0056	DUAL SIDE BURNER - IGNITER ASSEMBLY	1
11	510-0057	DUAL SIDE BURNER - FIRE BOX - WELDED PARTS	1
12	510-0532	AGSB-2 COVER ASSEMBLY	1
13	SEE NOTE	SIDE BURNER ASSEMBLY >>> SEE NOTE	2

**NOTE:** THE FOLLOWING ITEM WILL CHANGE PART NUMBER DEPENDING UPON THE GAS SUPPLY, NATURAL GAS (NG) OR LIQUID PROPANE (LP)

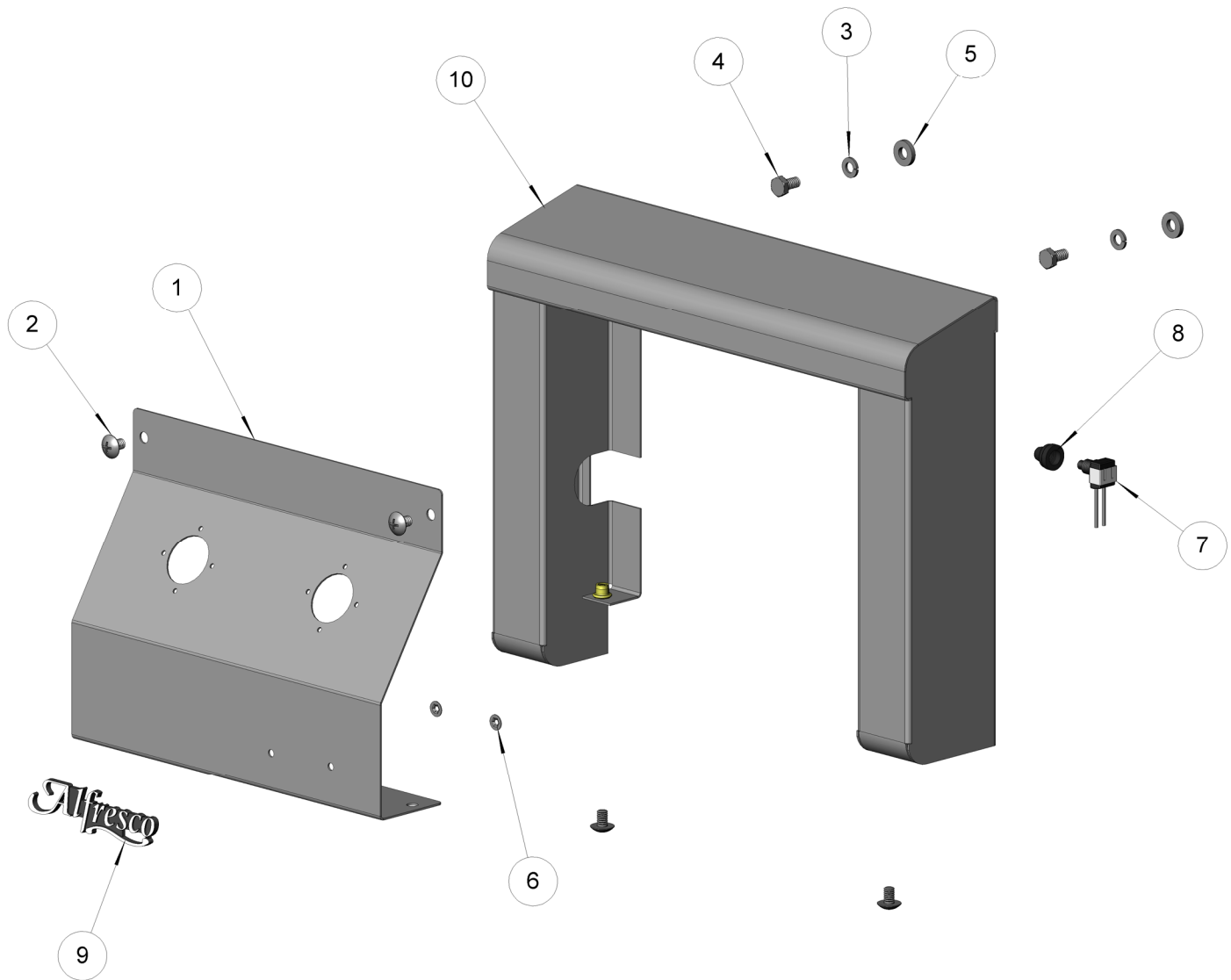
ITEM Nº	NG	LP
	PART Nº	PART Nº
13	290-0070	290-0071



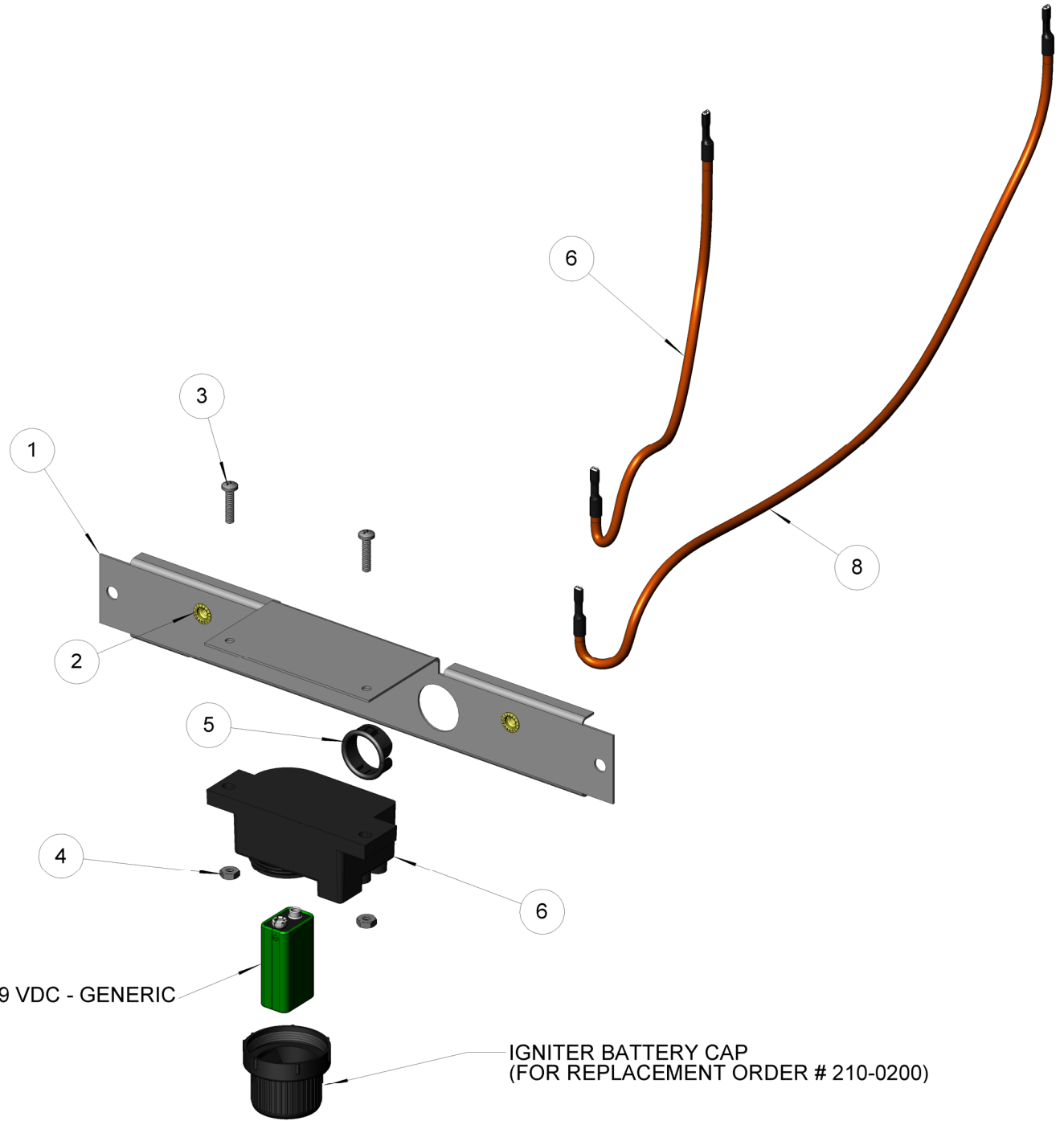
BILL OF MATERIAL			
NO.	PART NUMBER	DESCRIPTION	QTY.
1	100-0917	GAS LINE - 8"L X 3/8"Ø FLEX TUBE	1
2	100-0941	GAS LINE - 24"L x 3/8" Ø - SS. FLEX TUBE	1
3	200-0274	ELBOW 90° - CAST IRON - 1/2" FPT x 1/2" MPT	2
4	220-0280	REGULATOR GAS - MAXITROL RV48CL440002	1
5	220-0298	MANIFOLD - SIDE BURNER - DUAL VALVE	1
6	290-0042	GAS VALVE - SIDE BURNER - WITH INTERNAL ORIFICE	2



BILL OF MATERIAL			
NO.	PART NUMBER	DESCRIPTION	QTY.
1	100-0938	DUAL SIDE BURNER FRONT PANEL	1
2	200-0086	1/4-20 X 3/8 - TRUSS HEAD - PHILIPS SCREW	4
3	200-0087	1/4" LOCK WASHER	2
4	200-0089	1/4-20 X 1/2 - HEX HEAD BOLT	2
5	200-0092	1/4 X 1/8 X 5/8 FLAT WASHER - SPACER	2
6	200-0093	WASHER - PUSH LOCK 1/8" ID X 3/8" OD (FOR LOGO)	2
7	210-0197	SWITCH - MOMENTARY	1
8	210-0198	SWITCH - WEATHER BOOT FOR 210-0197	1
9	290-0031	LOGO - ALFRESCO	1
10	510-0052	SIDE BURNER FRONT - WELDED PARTS	1



BILL OF MATERIAL			
NO.	PART NUMBER	DESCRIPTION	QTY.
1	100-0939	MANIFOLD / IGNITER BRACKET	1
2	200-0071	RIVNUT - 1/4 x 20 - OPEN END - (SHOWN PRESSED)	2
3	200-0079	8-32 X 3/4 - PAN HEAD - PHILIPS SCREW	2
4	200-0080	8-32 - DOUBLE CHAMFER - HEX NUT	2
5	200-0081	BUSHING HEYCO OCB-1000 - PART # 2878	1
6	210-0195	IGNITER MODULE - 2 POINTS (WITH CAP)	1
7	210-0210	SIDE BURNER IGNITER WIRE - 9"L X (2) 1/8" F.SPADE	1
8	210-0216	SIDE BURNER IGNITER WIRE - 26"L X (2) 1/8" F.SPADE	1



BATTERY 9 VDC - GENERIC

IGNITER BATTERY CAP  
(FOR REPLACEMENT ORDER # 210-0200)

**NOTE:**

SIDE BURNER ASSEMBLIES ARE USED IN AGBQ AND ALX2 BARBEQUES, AGVPC UNIT (VERSAPOWER™) COOKING SYSTEMS AS WELL AS UNINDIVIDUAL UNITS (AGSB-2) BUT CAN ALSO BE ORDERED AS A WHOLE UNIT (KIT) FOR NATURAL GAS (NG) OR LIQUID PROPANE (LP).

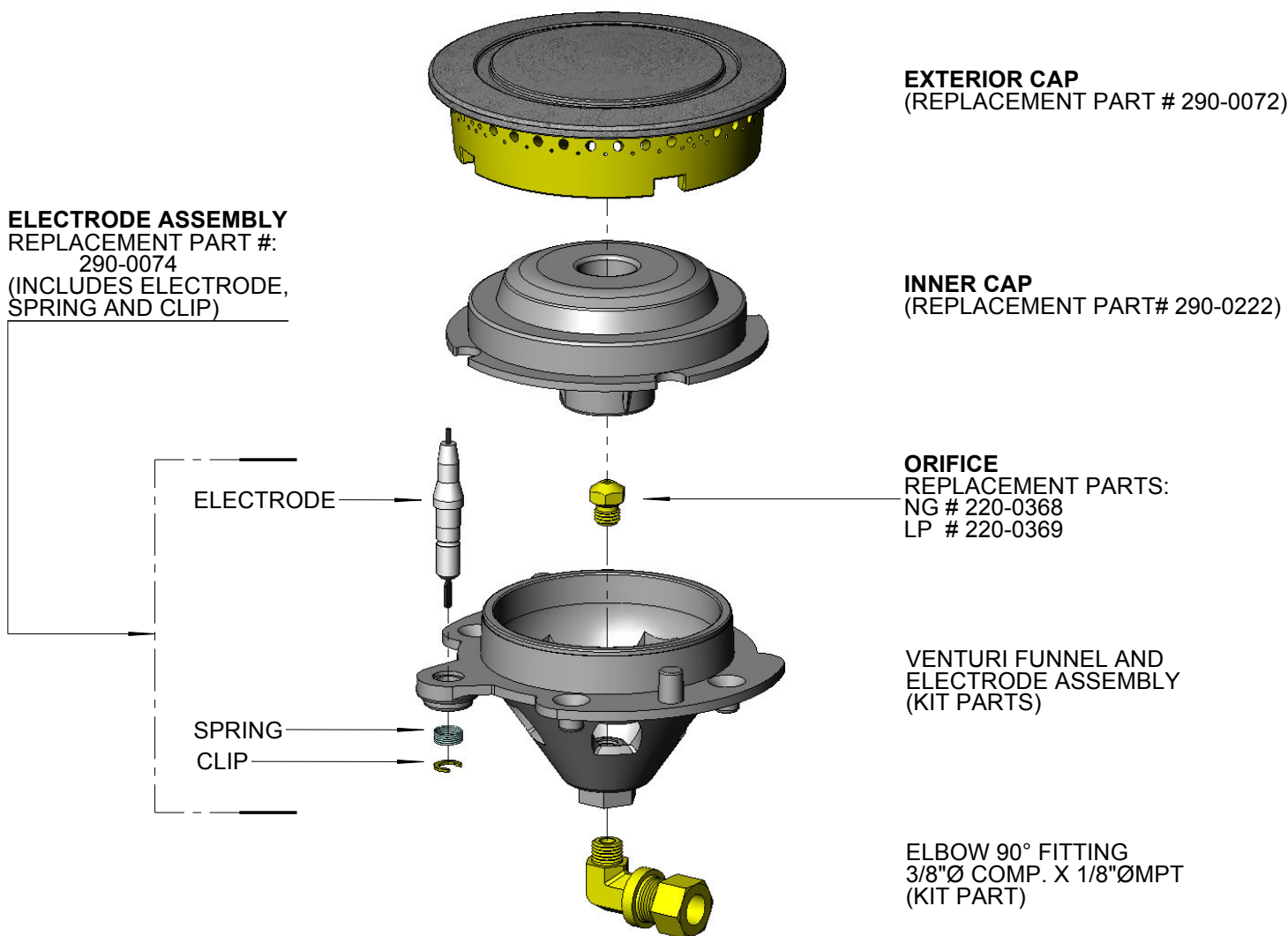
**COMPLETE KITS NUMBERS:**

NATURAL GAS (NG) = 290-0070

LIQUID PROPANE (LP) = 290-0071

CAPS, ORIFICES AND ELECTRODES CAN BE INDIVIDUALLY REPLACED IF REQUIRED - SEE NUMBERS BELOW.

**ELECTRODE ASSEMBLY**  
REPLACEMENT PART #:  
290-0074  
(INCLUDES ELECTRODE,  
SPRING AND CLIP)



**EXTERIOR CAP**  
(REPLACEMENT PART # 290-0072)

**INNER CAP**  
(REPLACEMENT PART# 290-0222)

**ORIFICE**  
REPLACEMENT PARTS:  
NG # 220-0368  
LP # 220-0369

**VENTURI FUNNEL AND  
ELECTRODE ASSEMBLY**  
(KIT PARTS)

**ELBOW 90° FITTING**  
3/8"Ø COMP. X 1/8"ØMPT  
(KIT PART)