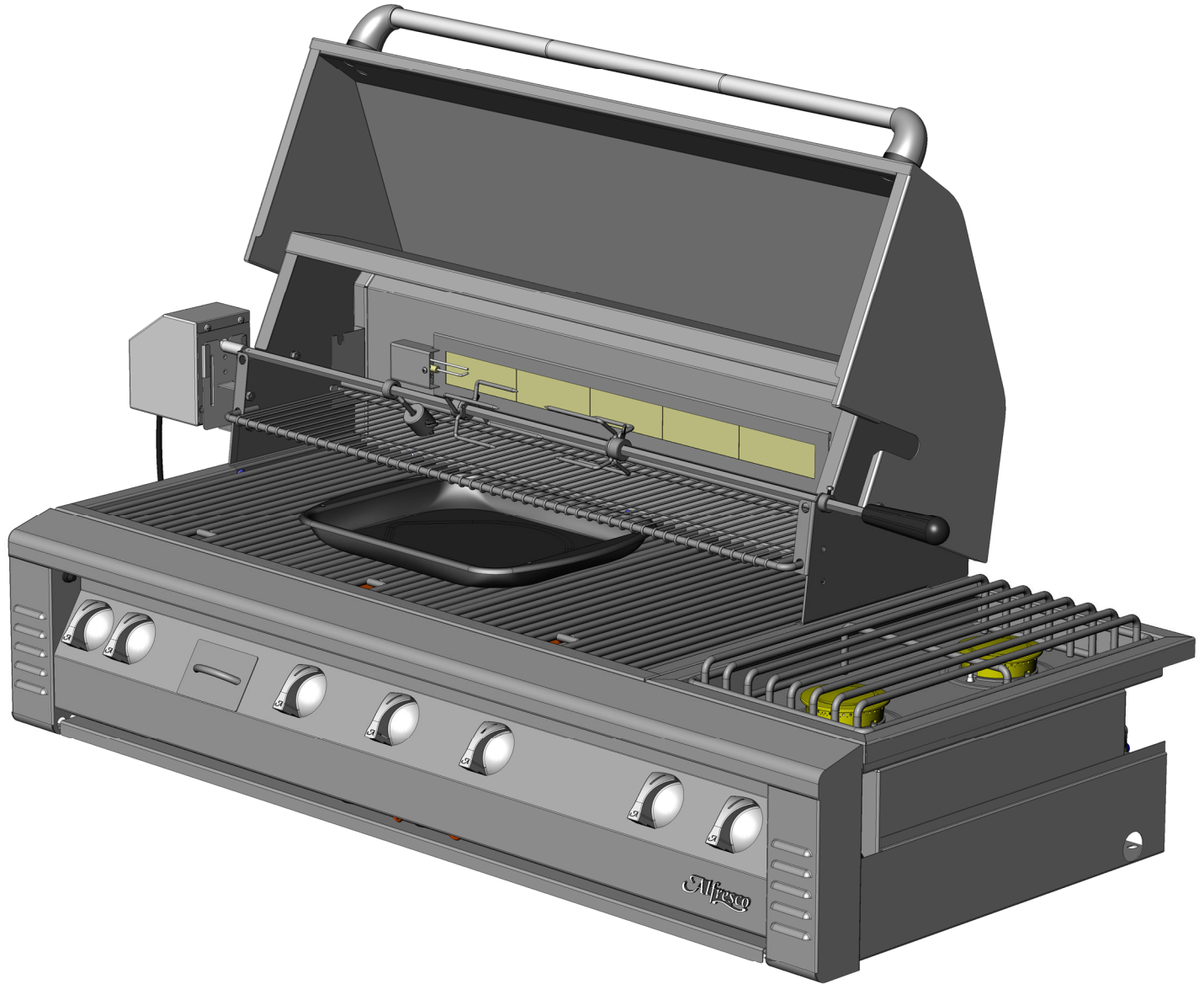


# Alfresco™

Open Air Culinary Systems

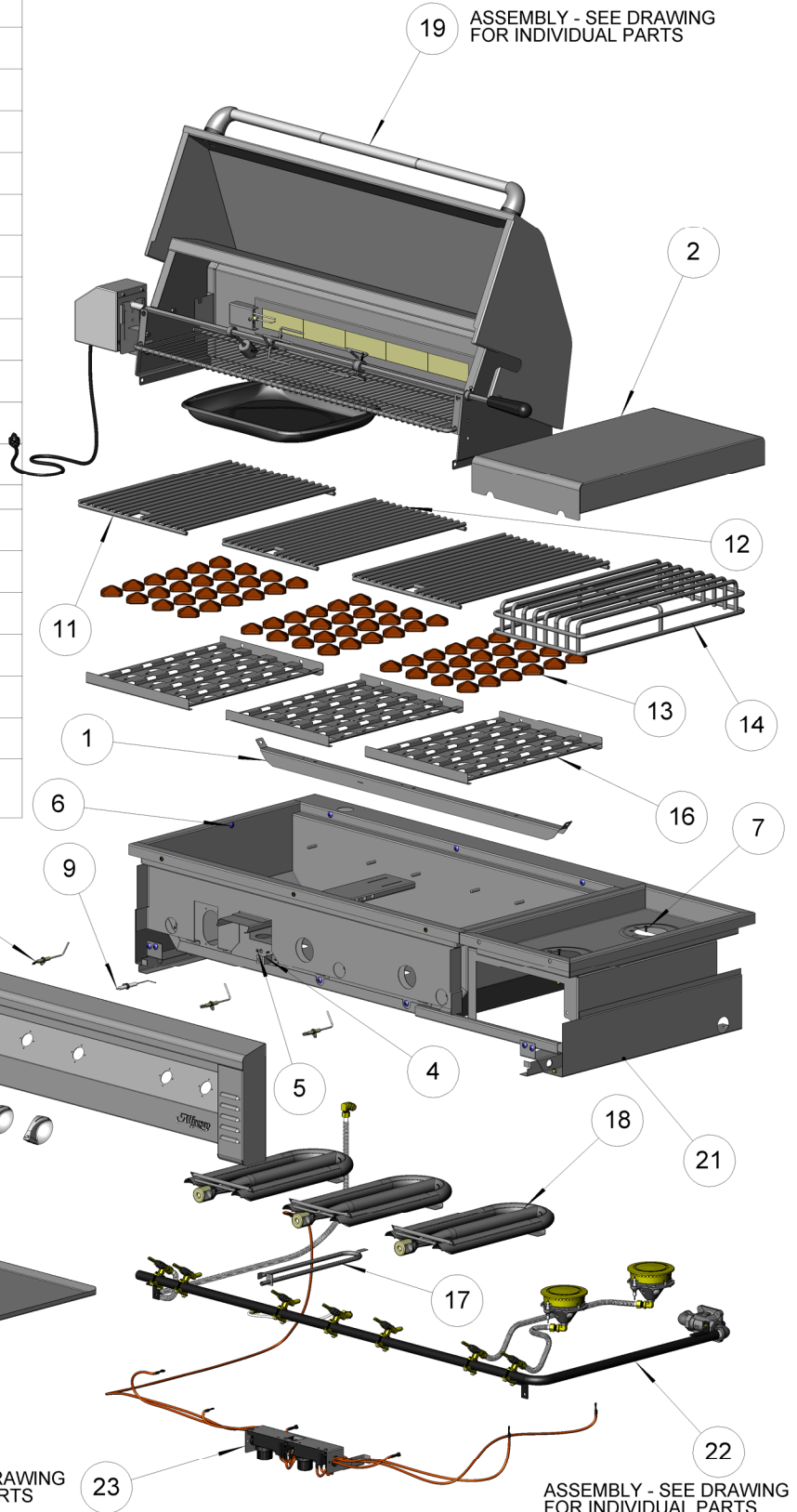


**AGBQ-56**

**BUILT-IN 56" BBQ GRILL WITH TRIPLE MAIN BURNERS AND DOUBLE SIDE BURNER UNIT**

**BILL OF MATERIAL**

NO.	PART NUMBER	DESCRIPTION	QTY.
1	100-0932	BURNER HANGER	1
2	100-0949	WEATHER COVER	1
3	100-0956	56" BBQ - DRIP PAN	1
4	150-0380	SMOKER ORIFICE HOLDER	1
5	200-0076	SCREW 6 - 20 x 1/2" - PHILIPS - SELF-TAP	6
6	200-0086	1/4-20 X 3/8 - TRUSS HEAD - PHILIPS SCREW	14
7	200-0098	SCREW 6-32 X 1/2" - FLAT HEAD 82° - PHILIPS	8
8	210-0189	ELECTRODE - "L" SHAPED - MAIN BURNER	3
9	210-0191	ELECTRODE - "L" SHAPED - SMOKER BURNER	1
10	290-0030	KNOB BBQ - ALFRESCO "A" LETTER	7
11	290-0033	STANDARD BBQ GRILL - 13-5/8" WIDE	2
12	290-0058	STANDARD BBQ GRILL - 12" WIDE	1
13	290-0068	BBQ BRIQUETTE SET (24 UNITS)	3
14	290-0069	GRATE - DUAL SIDE BURNER	1
15	510-0000	SMOKER DRAWER TRAY ASSY	1
16	510-0005	BBQ - BRIQUETTE TRAY	3
17	510-0010	SMOKER BURNER ASSEMBLY	1
18	510-0025	BBQ - "U" MAIN BURNER - WELDED PARTS	3
19	510-0034	42" BBQ - HOOD (FRONT & BACK) ASSEMBLY	1
20	510-0068	56" BBQ - FRONT PANEL - MAIN ASSEMBLY	1
21	510-0070	56" BBQ - FIRE BOX ASSEMBLY	1
22	510-0071	56" BBQ - GAS MANIFOLD - TRIPLE BURNER	1
23	510-0072	56" BBQ IGNITER ASSEMBLY - 3 "U" BURNER	1



ASSEMBLY - SEE DRAWING FOR INDIVIDUAL PARTS

ASSEMBLY - SEE DRAWING FOR INDIVIDUAL PARTS

ASSEMBLY - SEE DRAWING FOR INDIVIDUAL PARTS



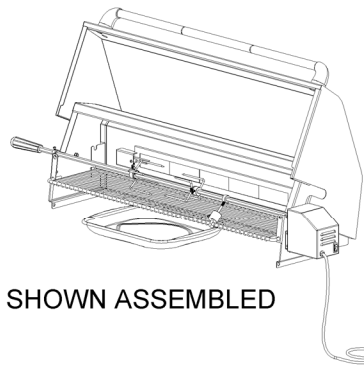
THE INFORMATION CONTAINED IN THIS DRAWING IS THE SOLE PROPERTY OF SUPERIOR EQUIPMENT SOLUTIONS INC. ANY REPRODUCTION IN PART OR AS A WHOLE WITHOUT WRITTEN PERMISSION FROM SUPERIOR EQUIPMENT SOLUTIONS, INC. IS PROHIBITED.  
**DRAWN BY:** ADRIAN CRISCI  
**CREATED:** May 31, 2005 2:15:12 PM

**PROJECT TITLE:** AGBQ-56  
**DRAWING TITLE:** AGBQ-56 / 56" BBQ TRIPLE "U" BURNER  
 I:\DWGS\Alfresco\BBQ'S\56 IN\

**DRAWING NO.:** 500-0009A  
 SHEET 1 OF 1

**BILL OF MATERIAL**

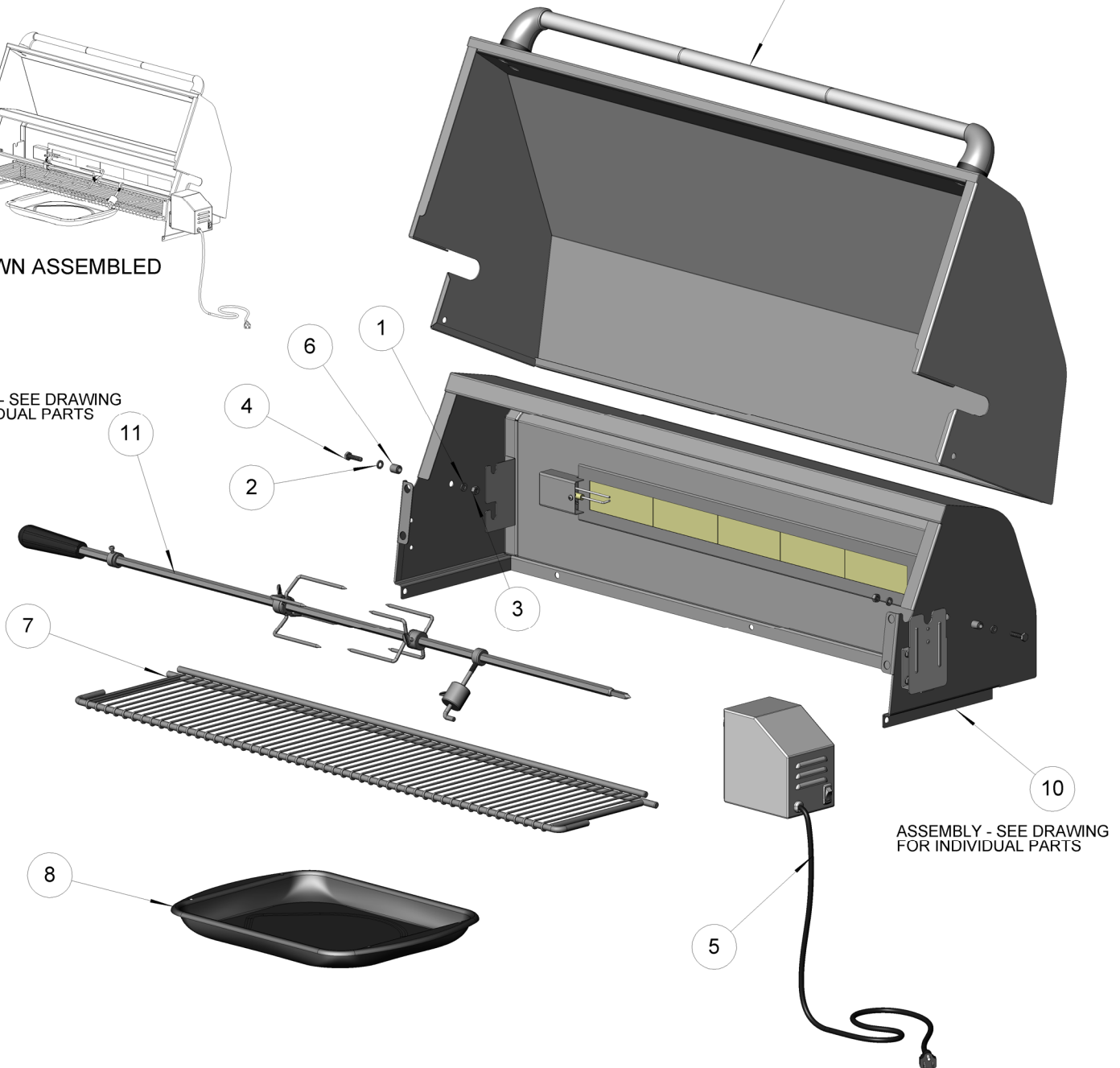
NO.	PART NUMBER	DESCRIPTION	RIGHT SIDE ROTISERIE/QTY.
1	200-0087	1/4" LOCK WASHER	2
2	200-0088	WASHER - 1/4 - FLAT NARROW	2
3	200-0090	1/4-20 - DOUBLE CHAMFER - HEX NUT	2
4	200-0091	1/4-20 X 1 HEX HEAD BOLT	2
5	210-0196	ROTISSERIE MOTOR ASSEMBLY	1
6	290-0040	BUSHING 1/2 Ø x 1/2 L - SS - HOOD HINGE	2
7	290-0057	42" BBQ WARMING GRILL	1
8	290-0059	ROTISSERIE DRIP PAN	1
9	510-0036	42" BBQ - FRONT HOOD ASSEMBLY	1
10	510-0037	42" BBQ - ALFRESCO REAR HOOD	1
11	510-0047	ROTISSERIE SPEAR KIT	1



SHOWN ASSEMBLED

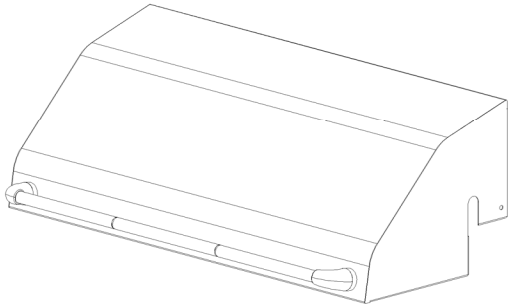
ASSEMBLY - SEE DRAWING FOR INDIVIDUAL PARTS

9 ASSEMBLY - SEE DRAWING FOR INDIVIDUAL PARTS

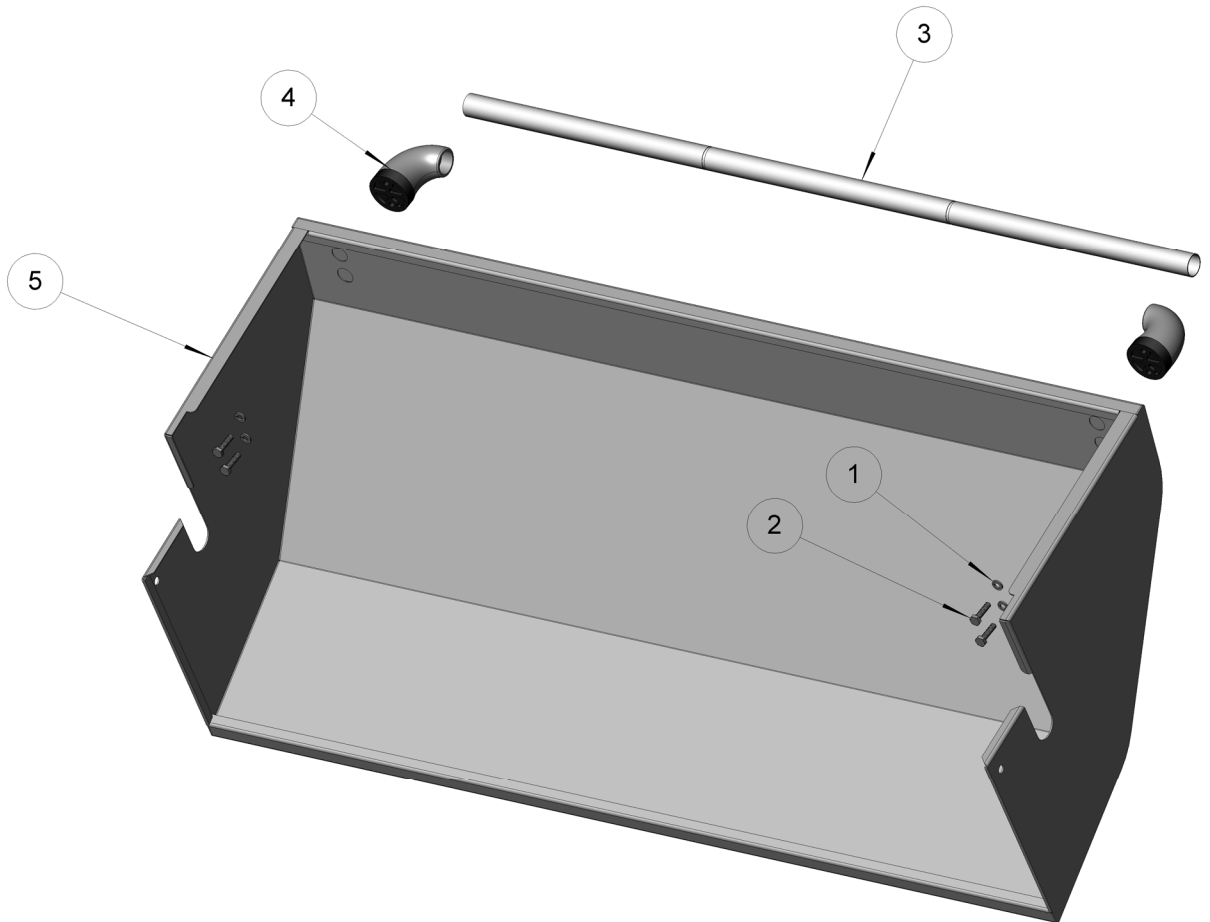


10 ASSEMBLY - SEE DRAWING FOR INDIVIDUAL PARTS

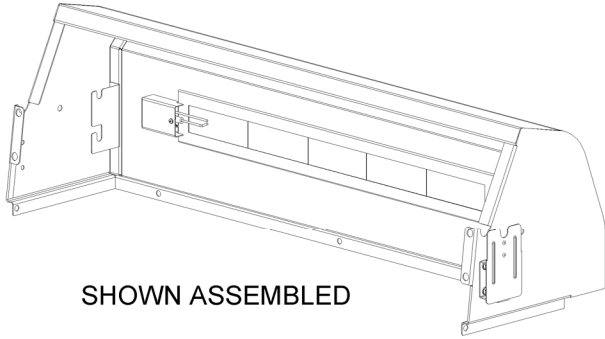
BILL OF MATERIAL			
NO.	PART NUMBER	DESCRIPTION	QTY.
1	200-0087	1/4" LOCK WASHER	4
2	200-0091	1/4-20 X 1 HEX HEAD BOLT	4
3	290-0055	HANDLE BAR - 36" KNURLED	1
4	290-0063	HANDLE - END CAP ASSEMBLY	2
5	510-0038	42" BBQ - FRONT HOOD - WELDED PARTS	1



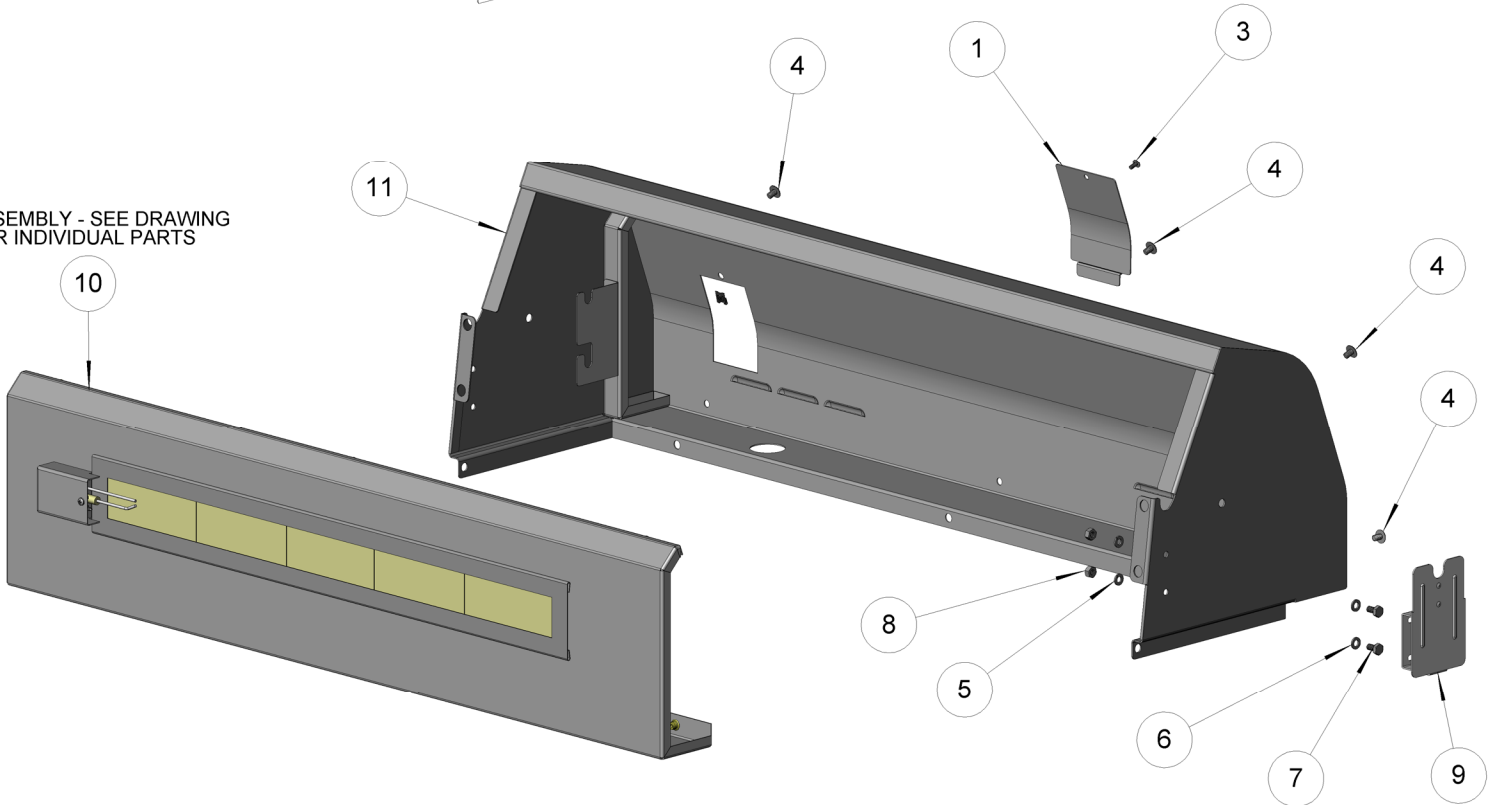
SHOWN ASSEMBLED



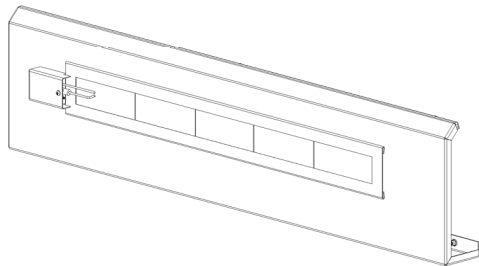
BILL OF MATERIAL			
NO.	PART NUMBER	DESCRIPTION	RIGHT SIDE MOTOR MOUNT/QTY.
1	150-0397	ROTISSERIE BURNER - ORIFICE ACCESS COVER	1
2	200-0084	8-32 TINNEMAN® TYPE NUT - "J" CLIP	1
3	200-0085	8-32 X 3/8 - TRUSS HEAD - PHILIPS SCREW	1
4	200-0086	1/4-20 X 3/8 - TRUSS HEAD - PHILIPS SCREW	6
5	200-0087	1/4" LOCK WASHER	2
6	200-0088	WASHER - 1/4 - FLAT NARROW	2
7	200-0089	1/4-20 X 1/2 - HEX HEAD BOLT	2
8	200-0090	1/4-20 - DOUBLE CHAMFER - HEX NUT	2
9	290-0048	MOUNT - MOTOR SUPPORT - ROTISSERIE	1
10	510-0039	42" BACK HOOD ROTISSERIE PANEL	1
11	510-0040	42" BBQ - READ HOOD - WELDED PARTS	1



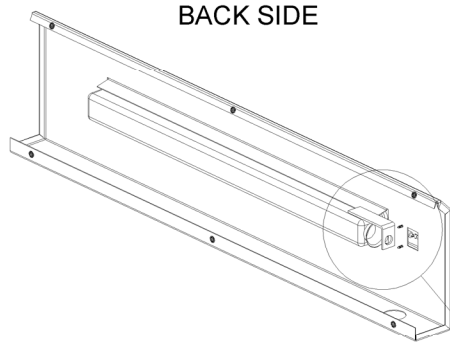
ASSEMBLY - SEE DRAWING FOR INDIVIDUAL PARTS



BILL OF MATERIAL			
NO.	PART NUMBER	DESCRIPTION	QTY.
1	100-0904	ROTISSERIE BURNER - ELECTRODE COVER	1
2	100-0905	ROTISSERIE BURNER - ELECTRODE BRACKET	1
3	200-0076	6 x 20 x 1/2" PHILIPS SCREW SELF-TAP	3
4	200-0083	8-32 X 1/4 - PAN HEAD - PHILIPS SCREW	1
5	200-0084	8-32 TINNEMAN® TYPE NUT - "J" CLIP	1
6	210-0192	ELECTRODE - DUAL TIP - IR BURNERS	1
7	510-0041	42" BBQ - ROTISSERIE PANEL ASSY (INCLUDES IR BURNER)	1

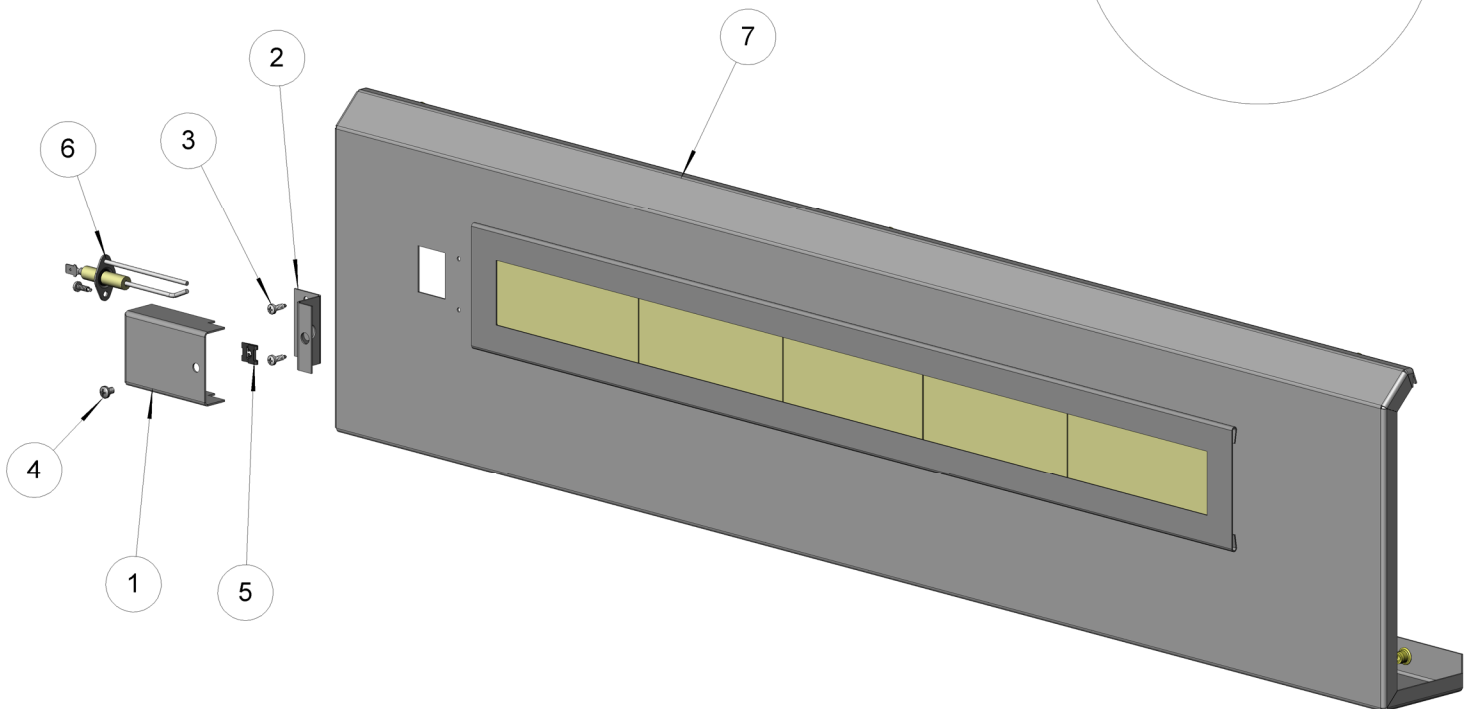
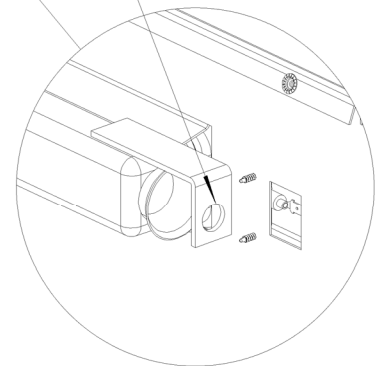


SHOWN ASSEMBLED

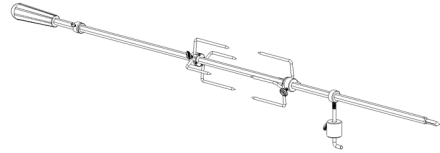


BACK SIDE

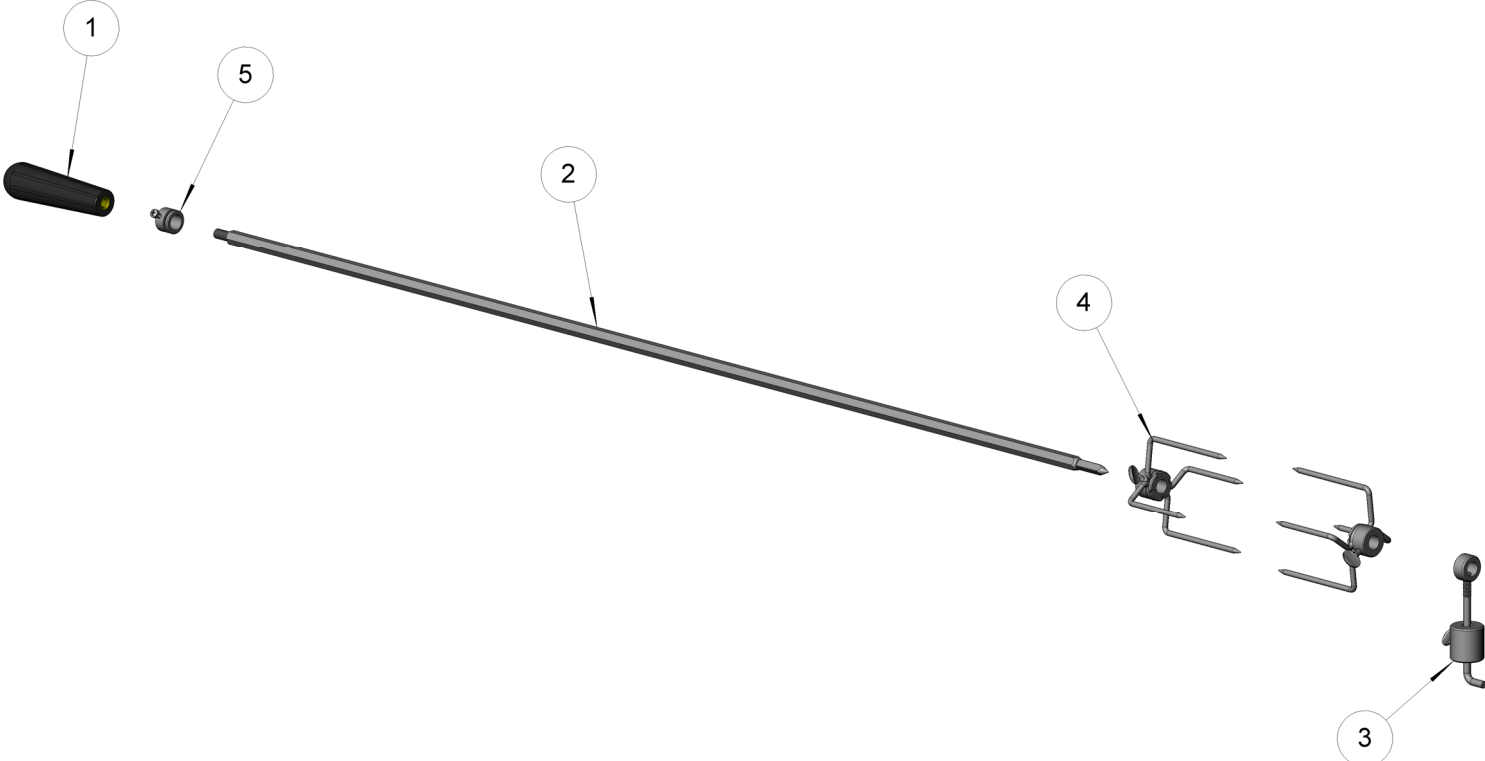
IR BURNER NOZZLE LOCATION



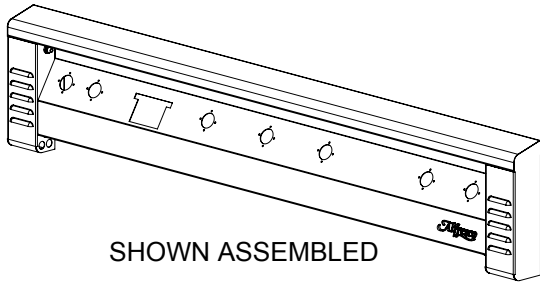
BILL OF MATERIAL			
NO.	PART NUMBER	DESCRIPTION	QTY.
1	290-0047	HANDLE - ROTISSERIE SPEAR	1
2	290-0054	SPEAR ROTISSERIE - 42" BBQ	1
3	290-0060	COUNTERWEIGHT FOR ROTISSERIE	1
4	290-0061	ROTISSERIE FORK ASSEMBLY	2
5	290-0062	ROTISSERIE BUSHING ASSEMBLY	1



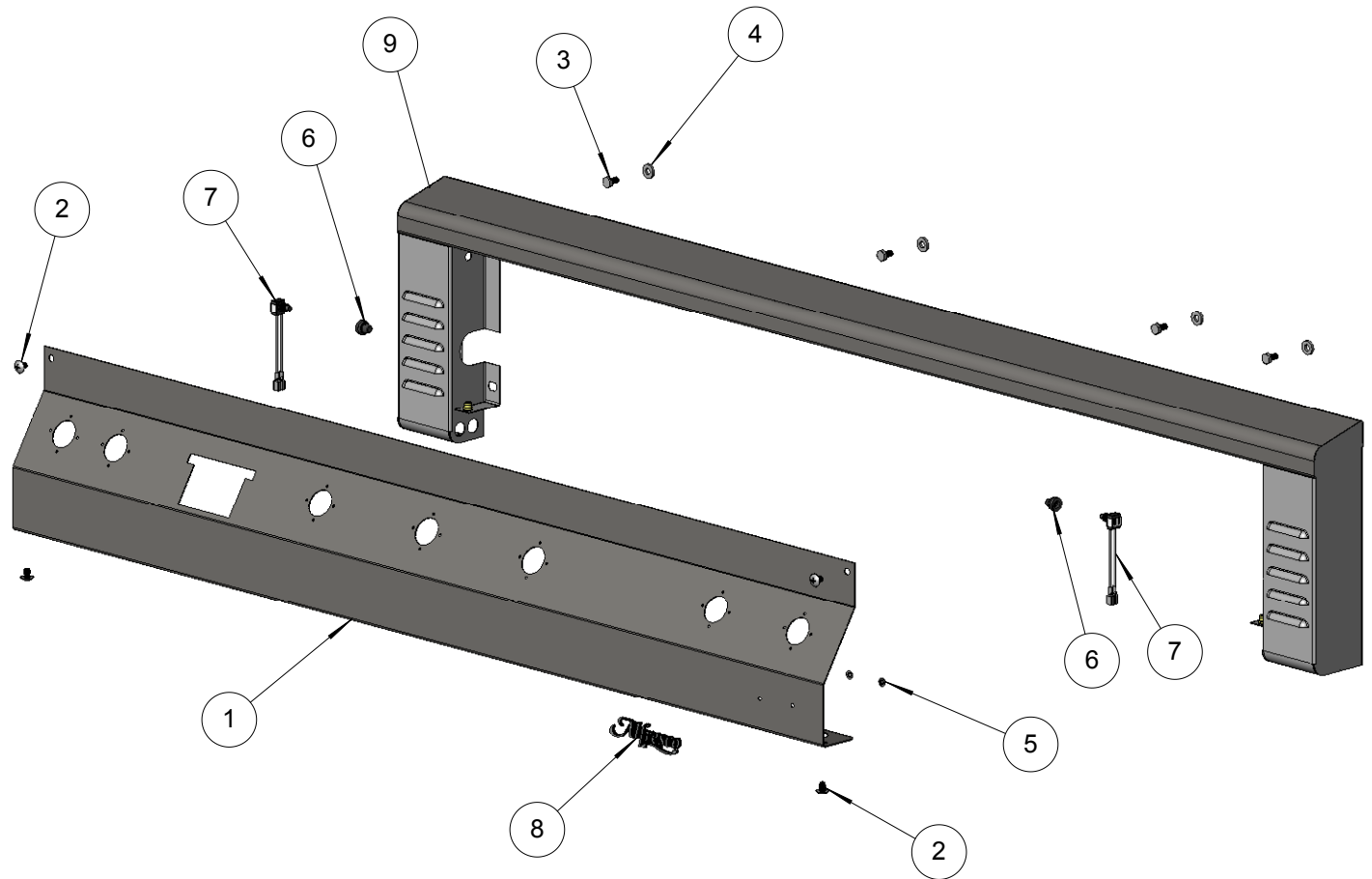
SHOWN ASSEMBLED



BILL OF MATERIAL			
NO.	PART NUMBER	DESCRIPTION	QTY.
1	100-0958	56" BBQ - FRONT PANEL	1
2	200-0086	1/4-20 X 3/8 - TRUSS HEAD - PHILIPS SCREW	4
3	200-0089	1/4-20 X 1/2 - HEX HEAD BOLT	5
4	200-0092	1/4 X 1/8 X 5/8 FLAT WASHER - SPACER	5
5	200-0093	WASHER - PUSH LOCK 1/8" ID X 3/8" OD (FOR LOGO)	2
6	210-0198	SWITCH - WEATHER BOOT & CAP	2
7	210-0443	SWITCH BBQ IGNITER ONLY- OFF-[ON] MOMENTARY	2
8	290-0031	LOGO - ALFRESCO	1
9	510-0069	56" BBQ - FRONT - WELDED PARTS	1



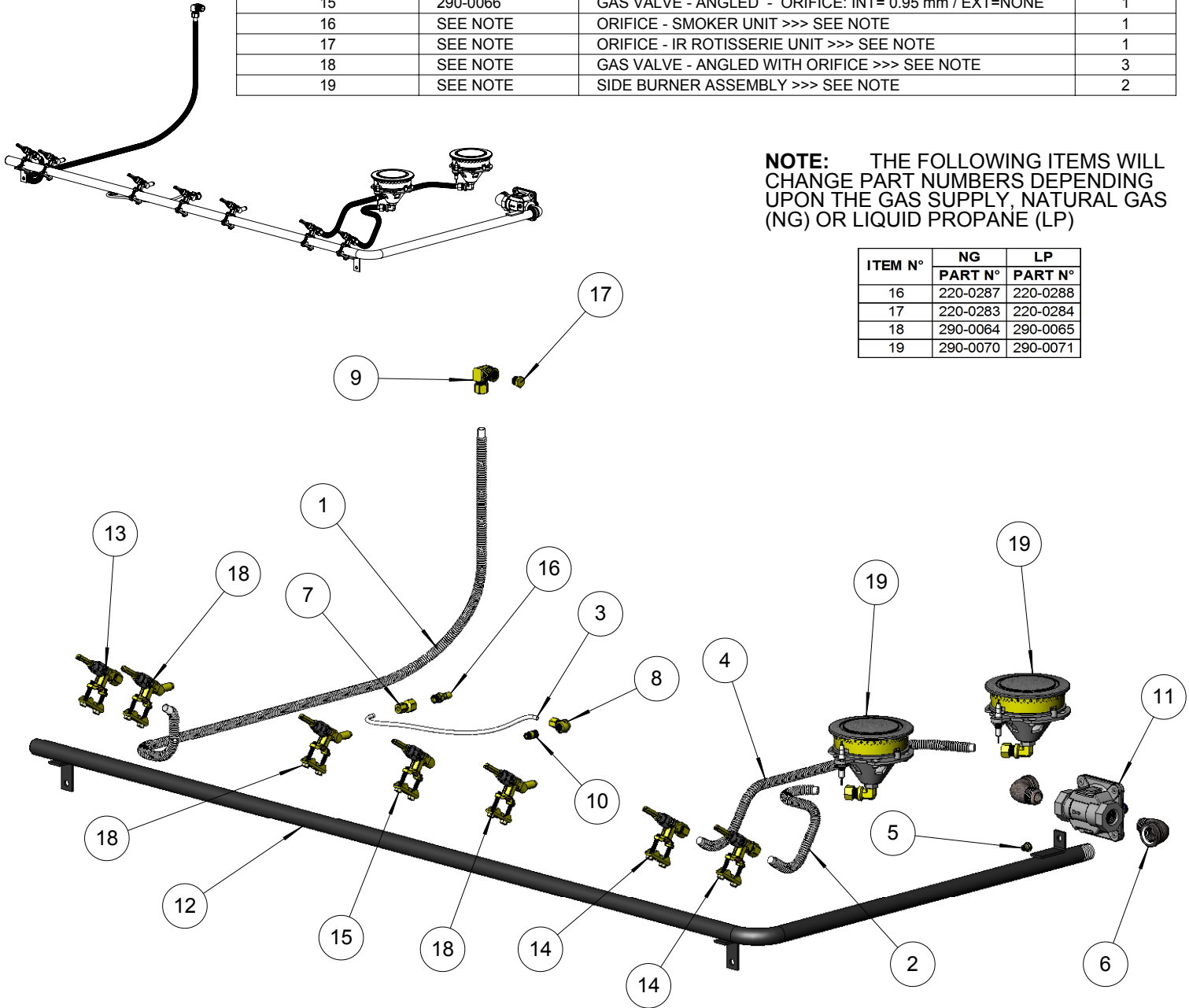
SHOWN ASSEMBLED





**BILL OF MATERIAL**

NO.	PART NUMBER	DESCRIPTION	QTY.
1	100-0914	ROTISSERIE GAS LINE (42"L x 3/8" Ø - SS. FLEX TUBE)	1
2	100-0917	GAS LINE - 8"L X 3/8"Ø FLEX SS TUBING	1
3	100-0933	SMOKER GAS LINE - 3/16" Ø AL TUBING	1
4	100-0941	GAS LINE - 24"L X 3/8"Ø FLEX SS TUBING	1
5	200-0071	RIVNUT 1/4-20 OPEN END	1
6	200-0274	ELBOW 90°- CAST IRON - 1/2" FPT x 1/2" MPT	2
7	220-0272	COUPLING 3/16" COMP x 1/8" FPT	1
8	220-0273	ELBOW 90° - 1/8" FPT x 3/16" COMP	1
9	220-0276	ELBOW 3/8" MPT x 1/8" FPT x 3/8" COMP	1
10	220-0277	NIPPLE 1/8"MPT x 1/16"MPT	1
11	220-0280	REGULATOR GAS - MAXITROL RV48CL440002	1
12	220-0310	MANIFOLD GAS FOR 56" BBQ	1
13	290-0041	GAS VALVE - STRAIGHT - WITHOUT ORIFICES	1
14	290-0042	GAS VALVE - SIDE BURNER - WITH INTERNAL ORIFICE	2
15	290-0066	GAS VALVE - ANGLED - ORIFICE: INT= 0.95 mm / EXT=NONE	1
16	SEE NOTE	ORIFICE - SMOKER UNIT >>> SEE NOTE	1
17	SEE NOTE	ORIFICE - IR ROTISSERIE UNIT >>> SEE NOTE	1
18	SEE NOTE	GAS VALVE - ANGLED WITH ORIFICE >>> SEE NOTE	3
19	SEE NOTE	SIDE BURNER ASSEMBLY >>> SEE NOTE	2

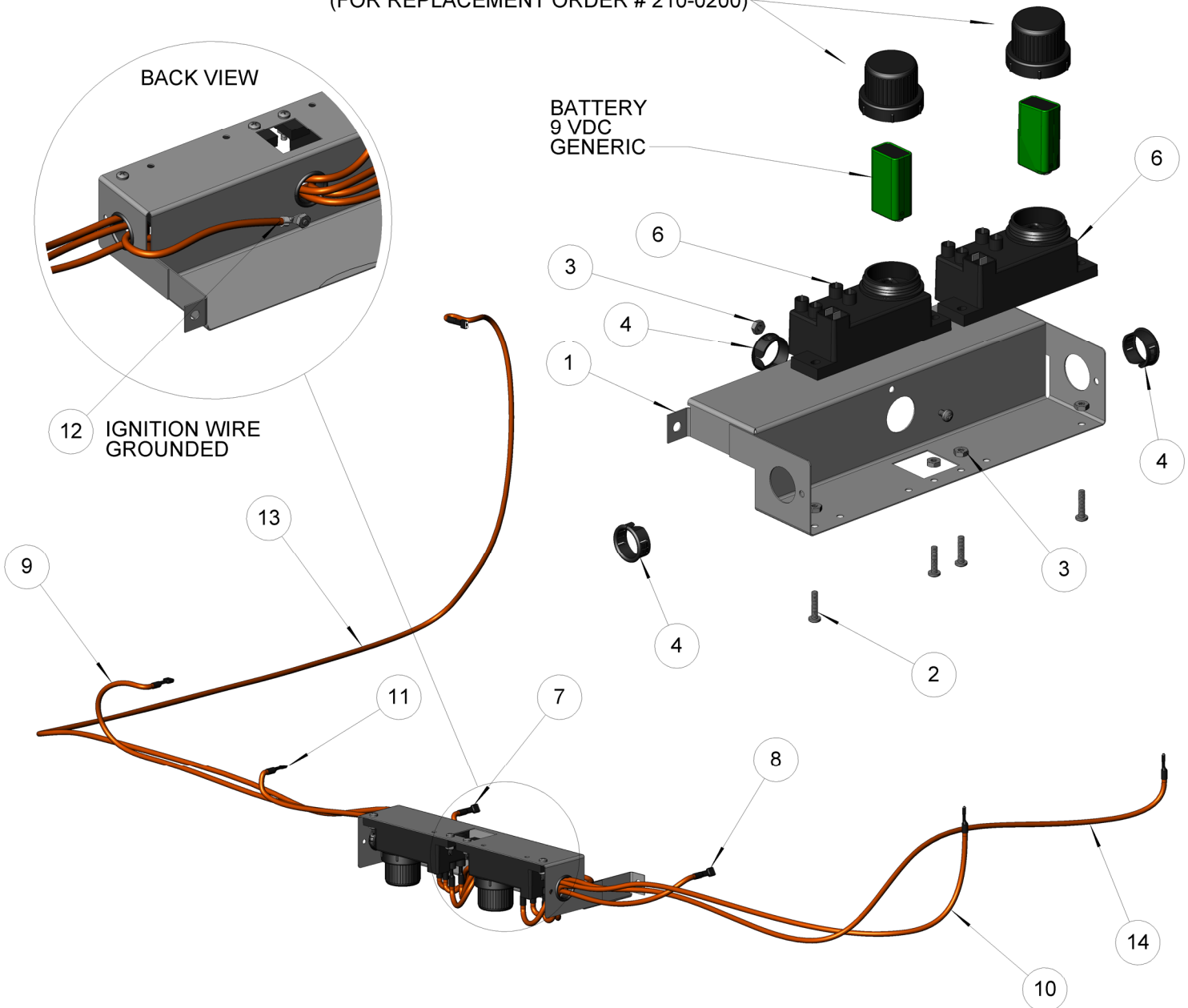


**NOTE:** THE FOLLOWING ITEMS WILL CHANGE PART NUMBERS DEPENDING UPON THE GAS SUPPLY, NATURAL GAS (NG) OR LIQUID PROPANE (LP)

ITEM N°	NG	LP
	PART N°	PART N°
16	220-0287	220-0288
17	220-0283	220-0284
18	290-0064	290-0065
19	290-0070	290-0071

BILL OF MATERIAL			
NO.	PART NUMBER	DESCRIPTION	QTY.
1	100-0934	IGNITER HOLDER BRACKET	1
2	200-0079	8-32 X 3/4 - PAN HEAD - PHILIPS SCREW	4
3	200-0080	8-32 - DOUBLE CHAMFER - HEX NUT	5
4	200-0081	BUSHING HEYCO OCB-1000 - PART # 2878	3
5	200-0083	8-32 X 1/4 - PAN HEAD - PHILIPS SCREW	1
6	210-0194	IGNITER MODULE - 4 POINTS (WITH CAP)	2
7	210-0213	BBQ IGNITER WIRE - 11" L - 1/4" X 1/8" F.SPADE	1
8	210-0213	BBQ IGNITER WIRE - 11" L - 1/4" X 1/8" F.SPADE	1
9	210-0215	BBQ IGNITER WIRE - 30" L - 1/4" X 1/8" F.SPADE	1
10	210-0216	SIDE BURNER IGNITER WIRE - FRONT - 26" L x (2) 1/8" F. SPADE	1
11	210-0216	BBQ IGNITER WIRE - 26" L X (2) 1/8" F.SPADE	1
12	210-0217	BBQ IGNITER WIRE - 12" - 1/8" F.SPADE X 18 GA EYELET	1
13	210-0218	BBQ IGNITER WIRE - 68" L - 1/4" X 1/8" F. SPADE	1
14	210-0225	SIDE BURNER IGNITER WIRE - BACK - 38" L X (2) 1/8" F. SPADE	1

IGNITER BATTERY CAP  
(FOR REPLACEMENT ORDER # 210-0200)



**NOTE:**

SIDE BURNER ASSEMBLIES ARE USED IN AGBQ AND ALX2 BARBEQUES, AGVPC UNIT (VERSAPOWER™) COOKING SYSTEMS AS WELL AS UNINDIVIDUAL UNITS (AGSB-2) BUT CAN ALSO BE ORDERED AS A WHOLE UNIT (KIT) FOR NATURAL GAS (NG) OR LIQUID PROPANE (LP).

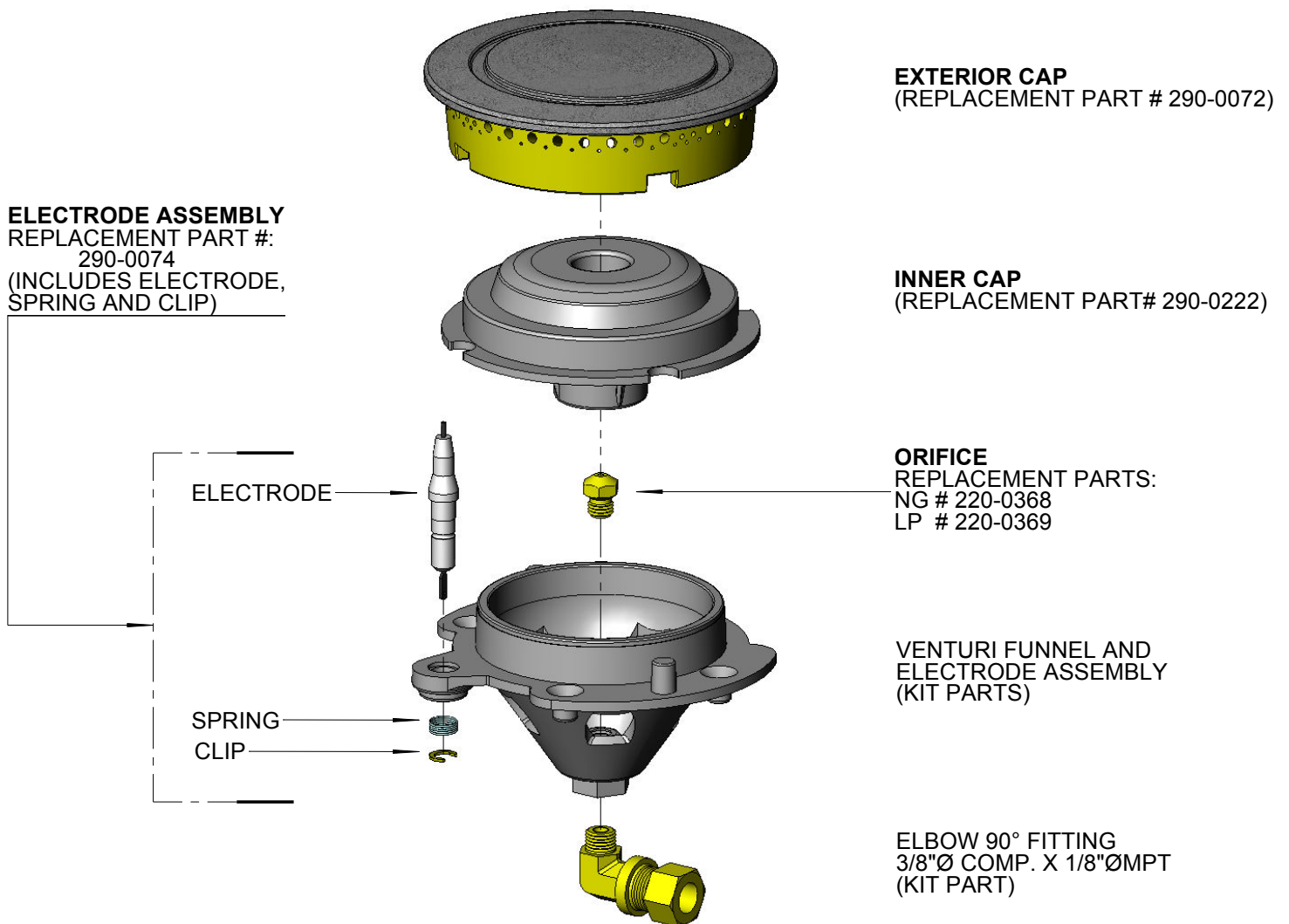
**COMPLETE KITS NUMBERS:**

NATURAL GAS (NG) = 290-0070

LIQUID PROPANE (LP) = 290-0071

CAPS, ORIFICES AND ELECTRODES CAN BE INDIVIDUALLY REPLACED IF REQUIRED - SEE NUMBERS BELOW.

**ELECTRODE ASSEMBLY**  
REPLACEMENT PART #:  
290-0074  
(INCLUDES ELECTRODE,  
SPRING AND CLIP)



**EXTERIOR CAP**  
(REPLACEMENT PART # 290-0072)

**INNER CAP**  
(REPLACEMENT PART# 290-0222)

**ORIFICE**  
REPLACEMENT PARTS:  
NG # 220-0368  
LP # 220-0369

**VENTURI FUNNEL AND  
ELECTRODE ASSEMBLY**  
(KIT PARTS)

**ELBOW 90° FITTING**  
3/8"Ø COMP. X 1/8"ØMPT  
(KIT PART)