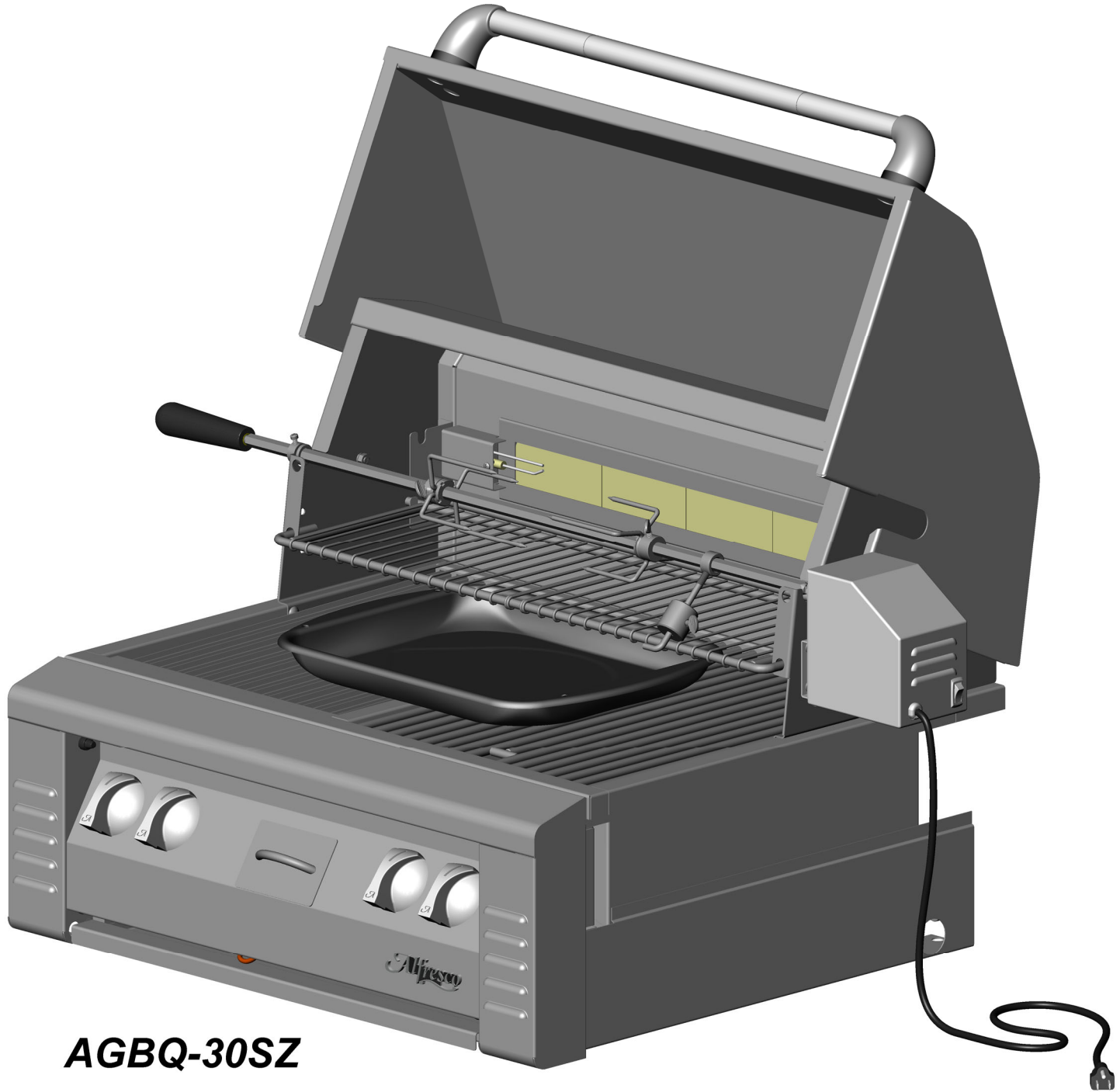


Alfresco™

Open Air Culinary Systems

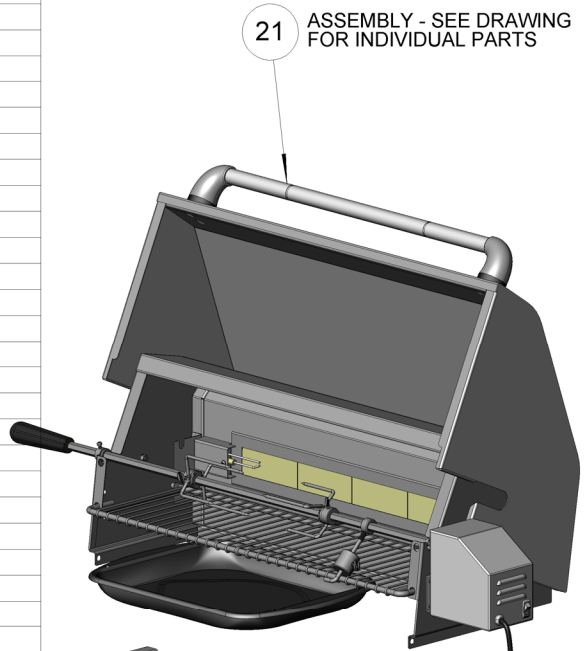


AGBQ-30SZ

BUILT-IN 30" BBQ GRILL WITH SEAR-ZONE™ AND STANDARD BURNERS.

BILL OF MATERIAL

NO.	PART NUMBER	DESCRIPTION	OPEN/Q TY.
1	100-0916	BRACKET - SEAR ZONE™ & ELECTRODE	1
2	150-0372	30" BBQ - DRIP PAN	1
3	150-0380	SMOKER ORIFICE HOLDER	1
4	150-0383	BURNER HANGER	1
5	150-0385	BURNER HANGER ADAPTER	1
6	150-0386	SEAR ZONE™ GRILL BAFFLE	1
7	200-0076	6 x 20 x 1/2" PHILIPS SCREW SELF-TAP	12
8	200-0086	1/4-20 X 3/8 - TRUSS HEAD - PHILIPS SCREW	13
9	210-0189	ELECTRODE - "L" SHAPED - MAIN BURNER	1
10	210-0191	ELECTRODE - "L" SHAPED - SMOKER BURNER	1
11	210-0192	ELECTRODE - DUAL TIP - IR BURNERS	1
12	290-0030	KNOB BBQ - ALFRESCO "A" LETTER	4
13	290-0033	STANDARD BBQ GRILL - 13-5/8" WIDE	1
14	290-0052	ALFRESCO SEAR ZONE™ BURNER ASSEMBLY	1
15	290-0068	BBQ BRIQUETTE SET (24 UNITS)	1
16	510-0000	SMOKER DRAWER TRAY ASSY	1
17	510-0005	BBQ - BRIQUETTE TRAY	1
18	510-0008	BBQ 30" - FIRE BOX ASSEMBLY	1
19	510-0010	SMOKER BURNER ASSEMBLY	1
20	510-0014	30" BBQ - FRONT PANEL - MAIN ASSEMBLY	1
21	510-0020	30" BBQ - HOOD (FRONT & BACK) ASSEMBLY	1
22	510-0025	BBQ - "U" MAIN BURNER - WELDED PARTS	1
23	510-0029	AGBQ-30SZ GAS MANIFOLD	1
24	510-0030	"V" ROD ASSEMBLY	1
25	510-0045	30" BBQ IGN. ASSY. - U + SZ BURNERS	1

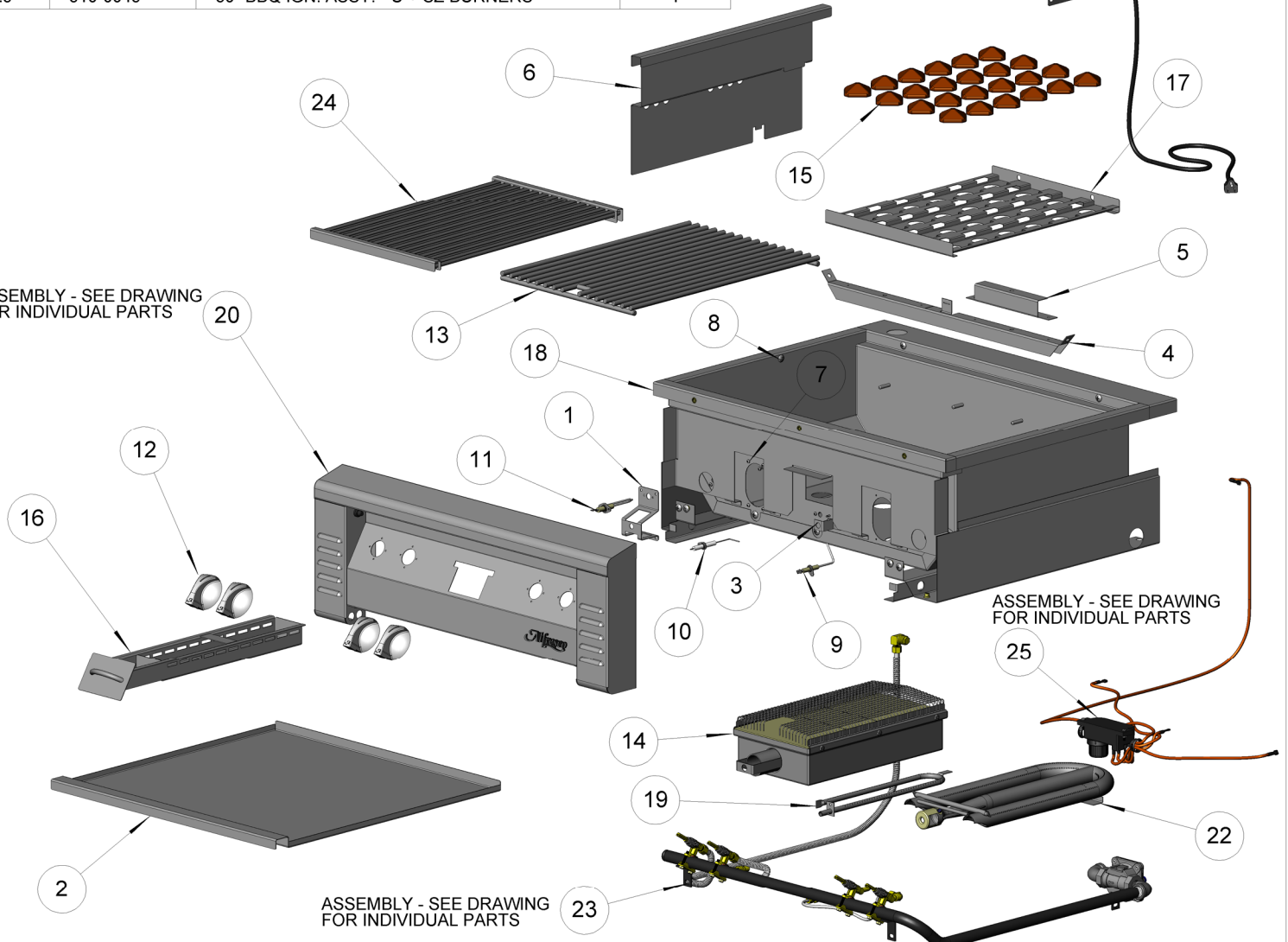


21 ASSEMBLY - SEE DRAWING FOR INDIVIDUAL PARTS

ASSEMBLY - SEE DRAWING FOR INDIVIDUAL PARTS

ASSEMBLY - SEE DRAWING FOR INDIVIDUAL PARTS

ASSEMBLY - SEE DRAWING FOR INDIVIDUAL PARTS



SUPERIOR EQUIPMENT SOLUTIONS
7039 EAST SLAUSON AVENUE
COMMERCE, CA. 90040

THE INFORMATION CONTAINED IN THIS DRAWING IS THE SOLE PROPERTY OF SUPERIOR EQUIPMENT SOLUTIONS INC. ANY REPRODUCTION IN PART OR AS A WHOLE WITHOUT WRITTEN PERMISSION FROM SUPERIOR EQUIPMENT SOLUTIONS, INC. IS PROHIBITED.

DRAWN BY: ADRIAN CRISCI
CREATED: February 21, 2005 11:33:44 AM

PROJECT TITLE: 30" BBQ ALFRESCO UNIT

DRAWING TITLE:
30" BBQ - "U" BURNER + SEAR ZONE™

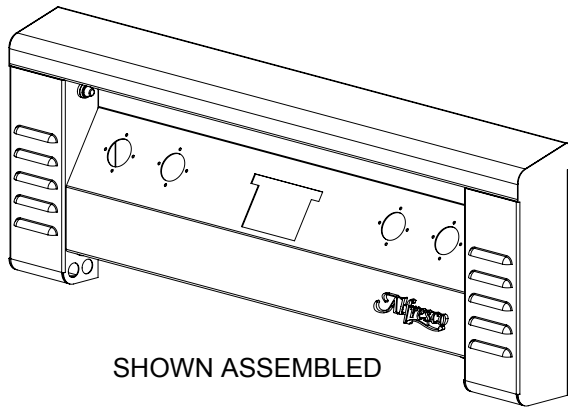
DRAWING NO.:
500-0003A

I:\DWGS\Alfresco\BBQ'S\30 IN\

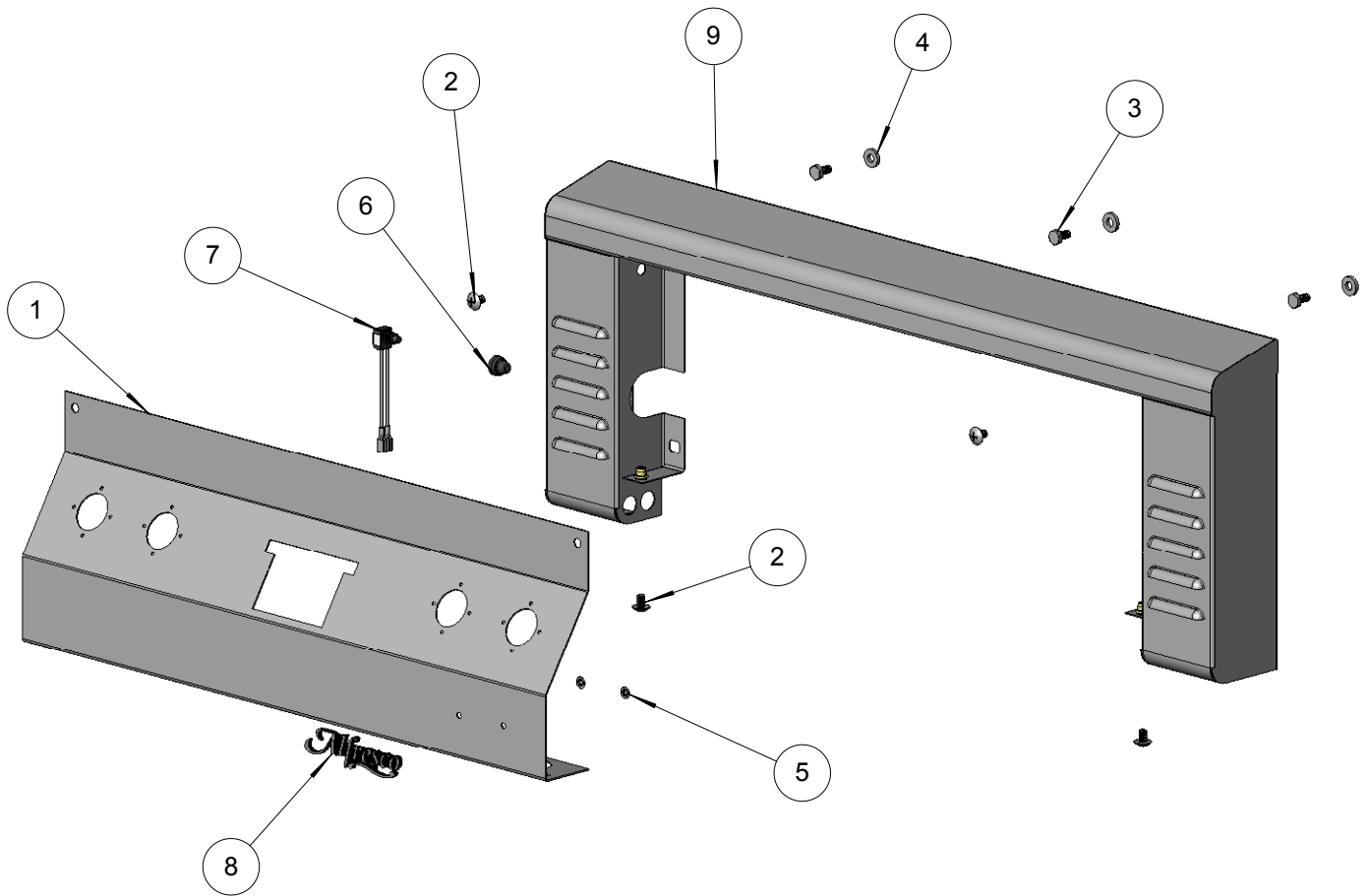
SHEET 1 OF 1

BILL OF MATERIAL

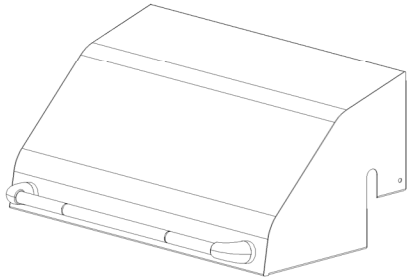
NO.	PART NUMBER	DESCRIPTION	Default/ QTY.
1	100-0902	30" BBQ - FRONT PANEL	1
2	200-0086	1/4-20 X 3/8 - TRUSS HEAD - PHILIPS SCREW	4
3	200-0089	1/4-20 X 1/2 - HEX HEAD BOLT	3
4	200-0092	1/4 X 1/8 X 5/8 FLAT WASHER - SPACER	3
5	200-0093	WASHER - PUSH LOCK 1/8" ID X 3/8" OD (FOR LOGO)	2
6	210-0198	SWITCH - WEATHER BOOT & CAP	1
7	210-0443	SWITCH BBQ IGNITER ONLY- OFF-[ON] MOMENTARY	1
8	290-0031	LOGO - ALFRESCO	1
9	510-0021	30" BBQ - FRONT - WELDED PARTS	1



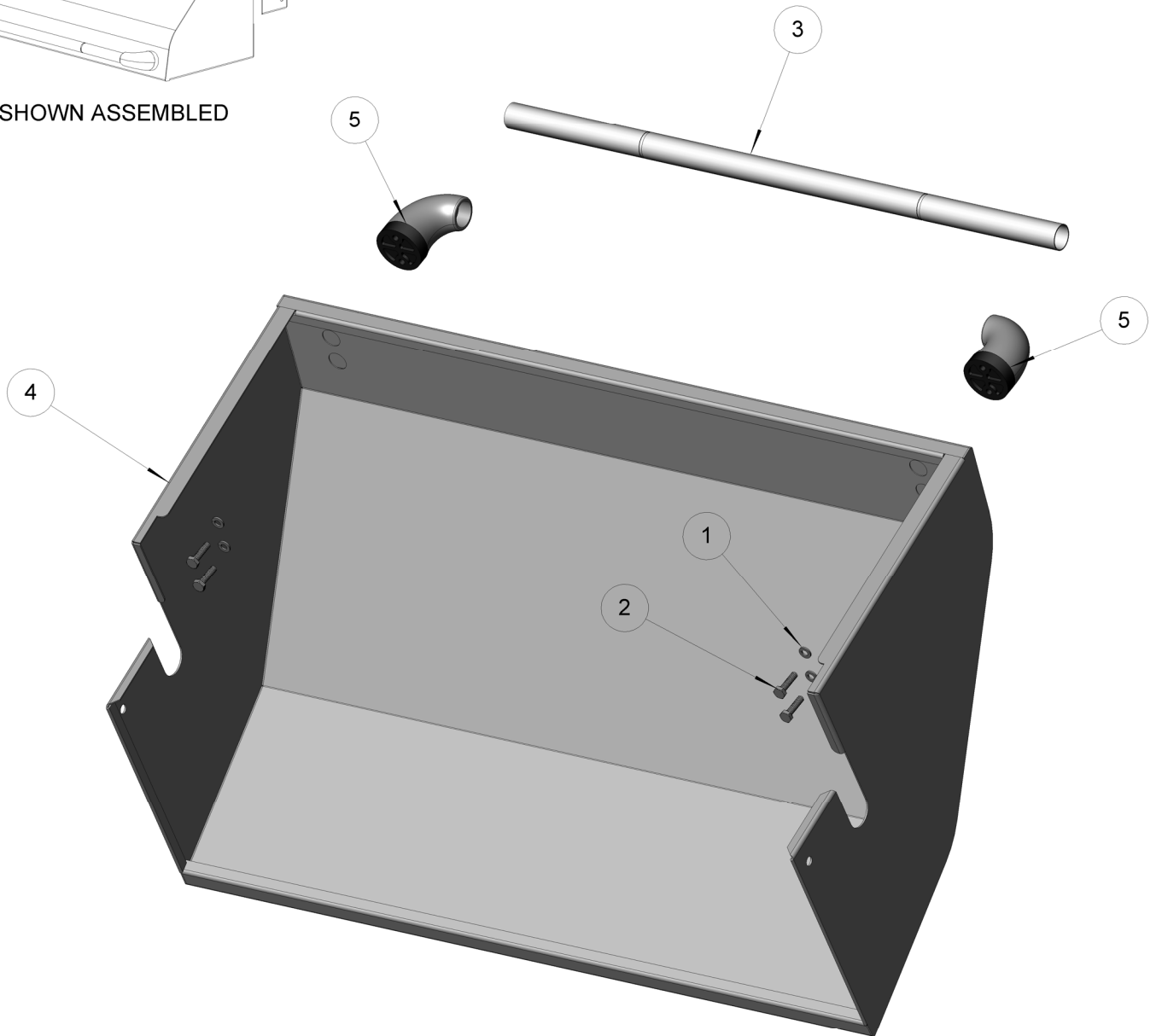
SHOWN ASSEMBLED



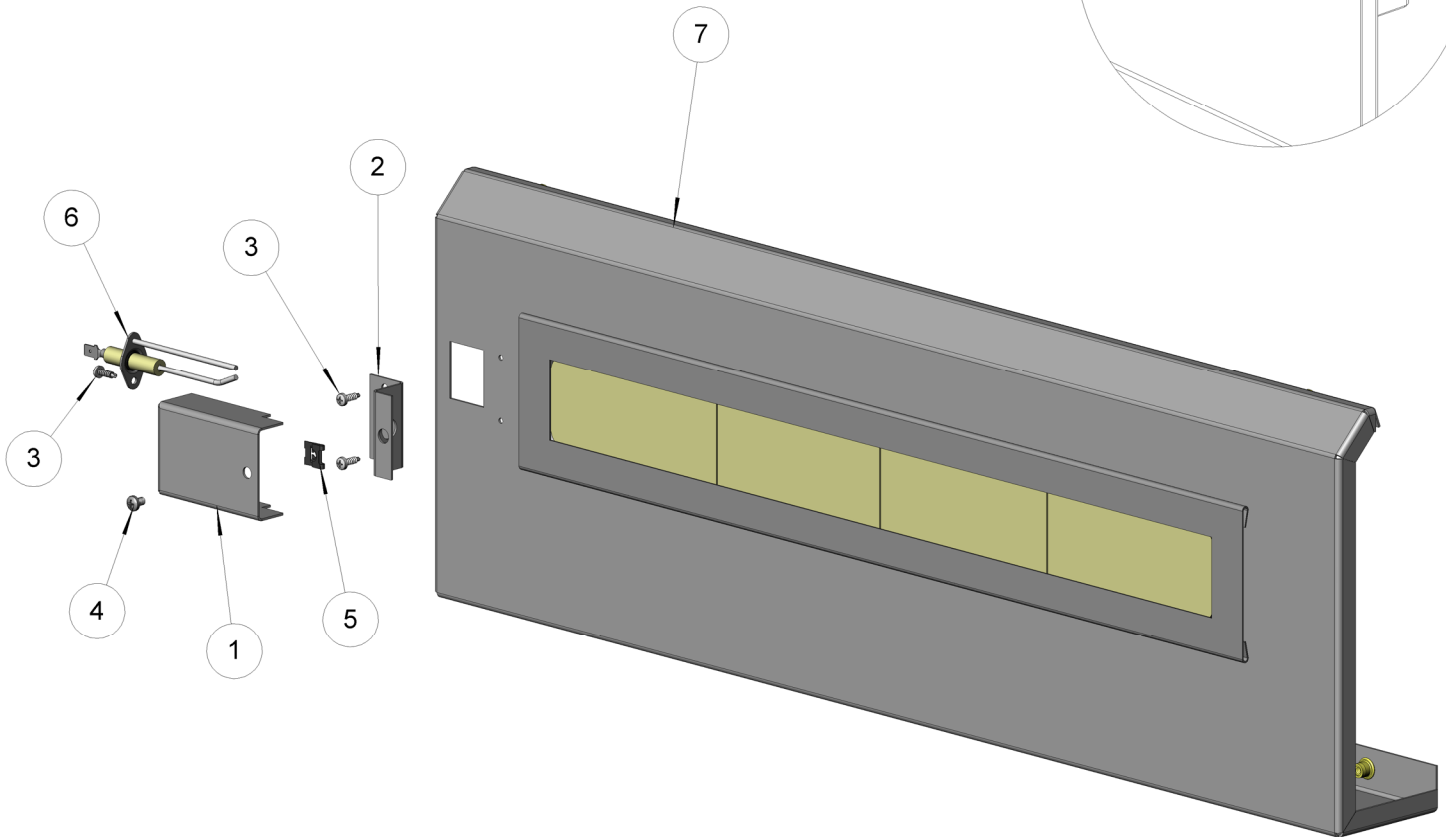
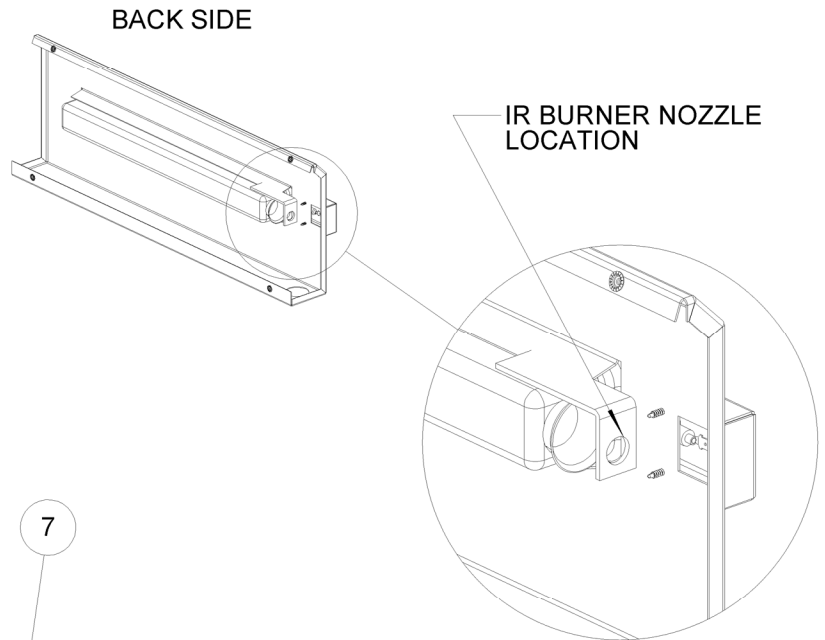
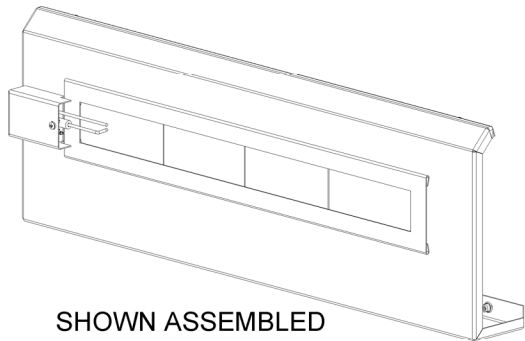
BILL OF MATERIAL			
NO.	PART NUMBER	DESCRIPTION	QTY.
1	200-0087	1/4" LOCK WASHER	4
2	200-0091	1/4-20 X 1 HEX HEAD BOLT	4
3	290-0029	HANDLE BAR - 24" KNURLED	1
4	510-0022	30" BBQ - FRONT HOOD - WELDED PARTS	1
5	290-0063	HANDLE - END CAP ASSEMBLY	2



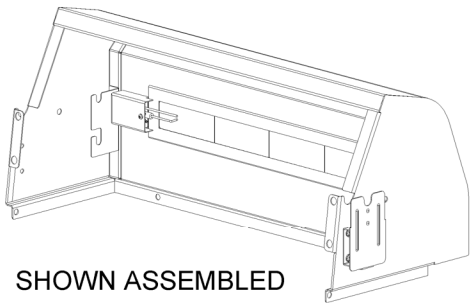
SHOWN ASSEMBLED



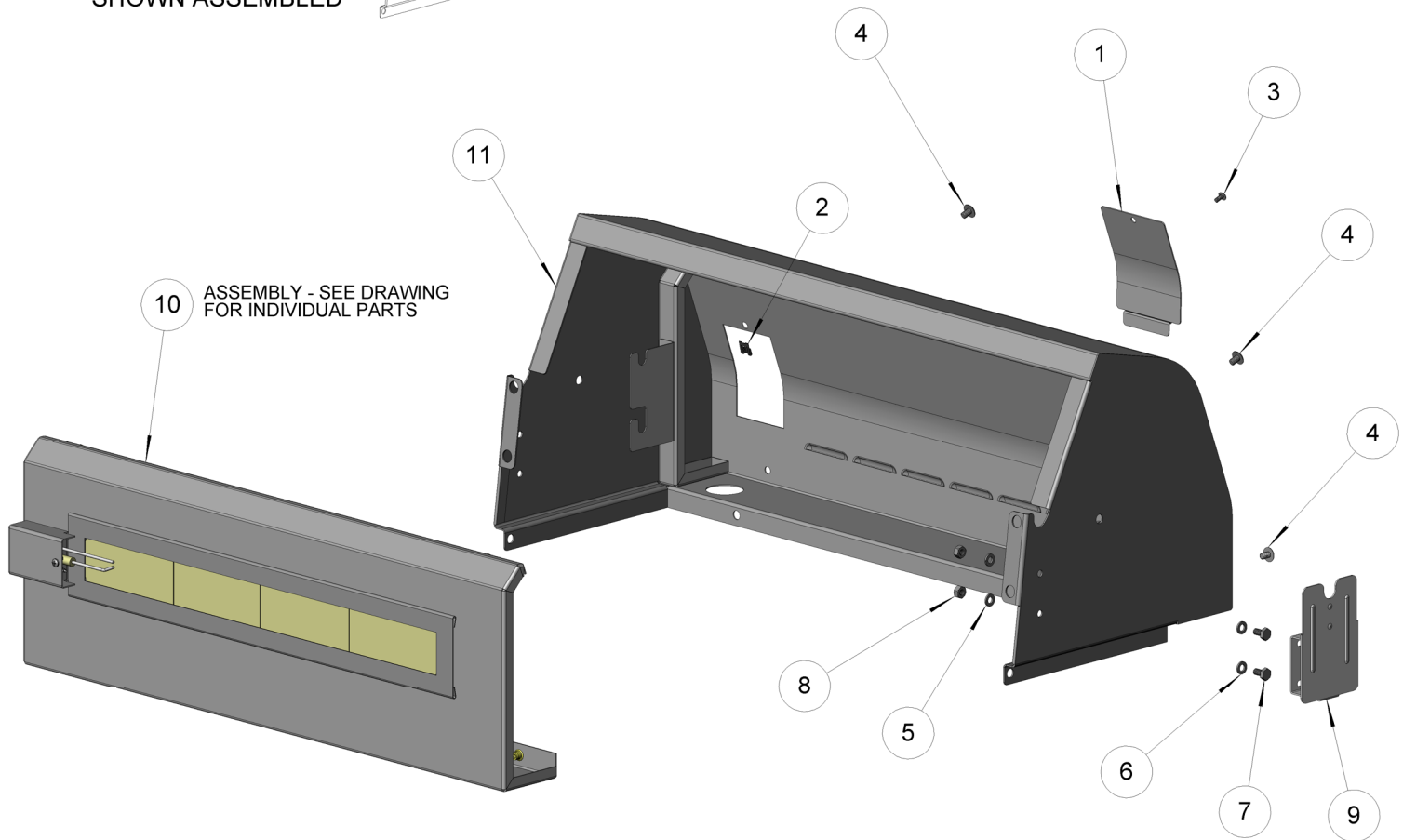
BILL OF MATERIAL			
NO.	PART NUMBER	DESCRIPTION	QTY.
1	100-0904	ROTISSERIE BURNER - ELECTRODE COVER	1
2	100-0905	ROTISSERIE BURNER - ELECTRODE BRACKET	1
3	200-0076	6 x 20 x 1/2" PHILIPS SCREW SELF-TAP	3
4	200-0083	8-32 X 1/4 - PAN HEAD - PHILIPS SCREW	1
5	200-0084	8-32 TINNEMAN® TYPE NUT - "J" CLIP	1
6	210-0192	ELECTRODE - DUAL TIP - IR BURNERS	1
7	510-0024	30" BBQ - ROTISSERIE PANEL ASSY (INCLUDES BURNER)	1



BILL OF MATERIAL			
NO.	PART NUMBER	DESCRIPTION	QTY.
1	150-0397	ROTISSERIE BURNER - ORIFICE ACCESS COVER	1
2	200-0084	8-32 TINNEMAN® TYPE NUT - "J" CLIP	1
3	200-0085	8-32 X 3/8 - TRUSS HEAD - PHILIPS SCREW	1
4	200-0086	1/4-20 X 3/8 - TRUSS HEAD - PHILIPS SCREW	4
5	200-0087	1/4" LOCK WASHER	2
6	200-0088	WASHER - 1/4 - FLAT NARROW	2
7	200-0089	1/4-20 X 1/2 - HEX HEAD BOLT	2
8	200-0090	1/4-20 - DOUBLE CHAMFER - HEX NUT	2
9	290-0048	MOUNT - MOTOR SUPPORT - ROTISSERIE	1
10	510-0018	30" BACK HOOD ROTISSERIE PANEL	1
11	510-0023	30" BBQ - REAR HOOD - WELDED PARTS	1

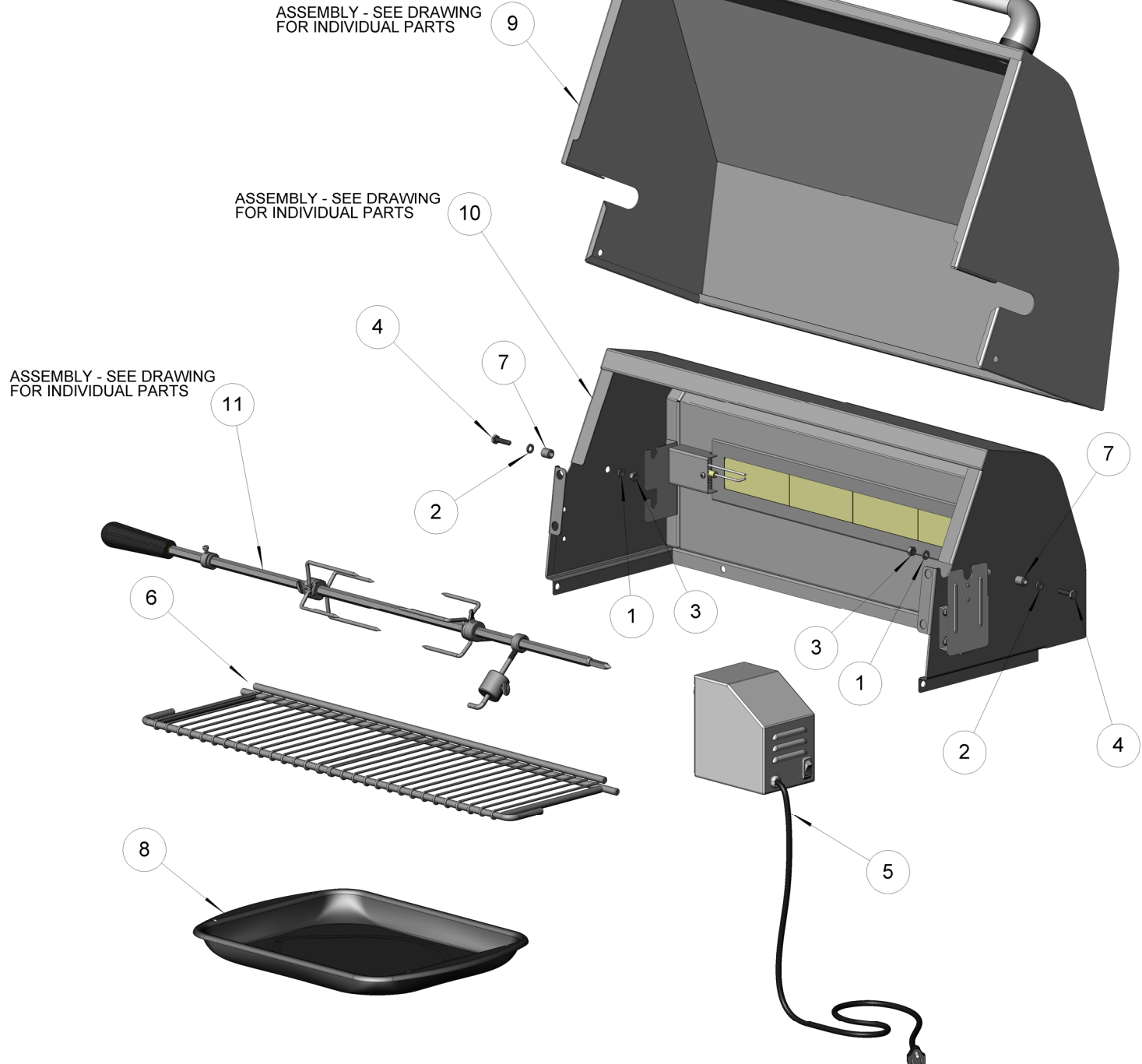
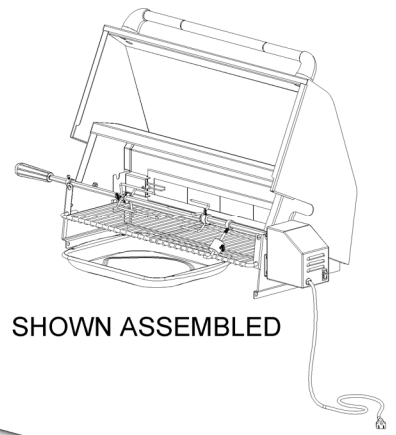


SHOWN ASSEMBLED



BILL OF MATERIAL

NO.	PART NUMBER	DESCRIPTION	QTY.
1	200-0087	1/4" LOCK WASHER	2
2	200-0088	WASHER - 1/4 - FLAT NARROW	2
3	200-0090	1/4-20 - DOUBLE CHAMFER - HEX NUT	2
4	200-0091	1/4-20 X 1 HEX HEAD BOLT	2
5	210-0196	ROTISSERIE MOTOR ASSEMBLY	1
6	290-0034	30" BBQ WARMING GRILL	1
7	290-0040	BUSHING 1/2 Ø x 1/2 L - SS - HOOD HINGE	2
8	290-0059	ROTISSERIE DRIP PAN	1
9	510-0017	30" BBQ - FRONT HOOD ASSEMBLY	1
10	510-0019	30" BBQ - ALFRESCO REAR HOOD	1
11	510-0046	ROTISSERIE SPEAR KIT	1



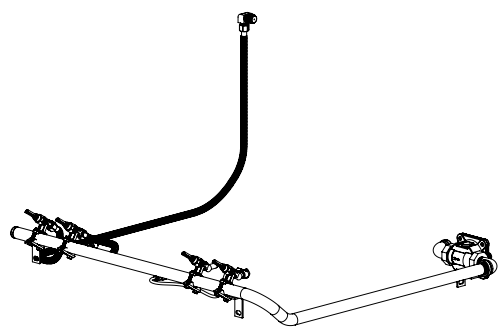
ASSEMBLY - SEE DRAWING FOR INDIVIDUAL PARTS

ASSEMBLY - SEE DRAWING FOR INDIVIDUAL PARTS

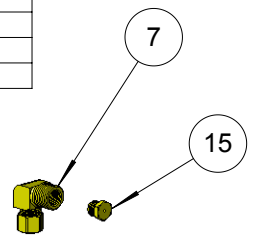
ASSEMBLY - SEE DRAWING FOR INDIVIDUAL PARTS

BILL OF MATERIAL

NO.	PART NUMBER	DESCRIPTION	QTY.
1	100-0913	SMOKER GAS LINE - 3/16" Ø AL TUBING	1
2	100-0914	ROTISSERIE GAS LINE (42"L x 3/8" Ø - SS. FLEX TUBE)	1
3	100-0917	SEAR ZONE™ GAS LINE (8"L x 3/8" Ø - SS. FLEX TUBE)	1
4	200-0274	ELBOW 90° - CAST IRON - 1/2" FPT x 1/2" MPT	2
5	220-0272	COUPLING 3/16" COMP x 1/8" FPT	1
6	220-0273	ELBOW 90° - 1/8" FPT x 3/16" COMP	1
7	220-0276	ELBOW 3/8" MPT x 1/8" FPT x 3/8" COMP	1
8	220-0277	NIPPLE 1/8"MPT x 1/16"MPT	1
9	220-0279	MANIFOLD - GAS - FOR 30" BBQ	1
10	220-0280	REGULATOR GAS - MAXITROL RV48CL440002	1
11	220-0293	ELBOW 1/4" FPT x 3/8" COMP	1
12	290-0041	GAS VALVE - STRAIGHT - WITHOUT ORIFICES	2
13	290-0066	GAS VALVE - ANGLED - ORIFICE: INT= 0.95 mm / EXT=NONE	1
14	SEE NOTE	GAS VALVE - ANGLED WITH ORIFICE >>> SEE NOTE	1
15	SEE NOTE	ORIFICE - SMOKER UNIT >>> SEE NOTE	1
15	SEE NOTE	ORIFICE - IR ROTISSERIE UNIT >>> SEE NOTE	1
17	SEE NOTE	ORIFICE - SEAR ZONE™ >>> SEE NOTE	1

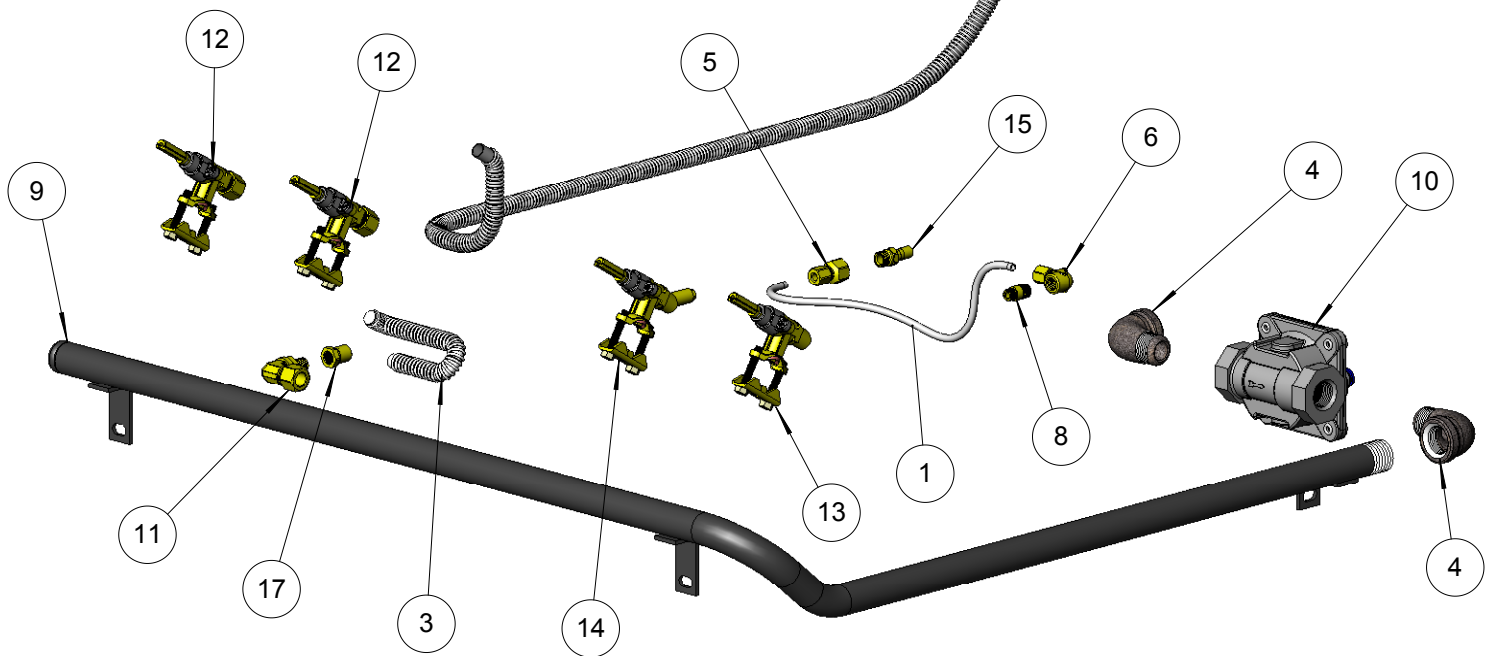


SHOWN ASSEMBLED



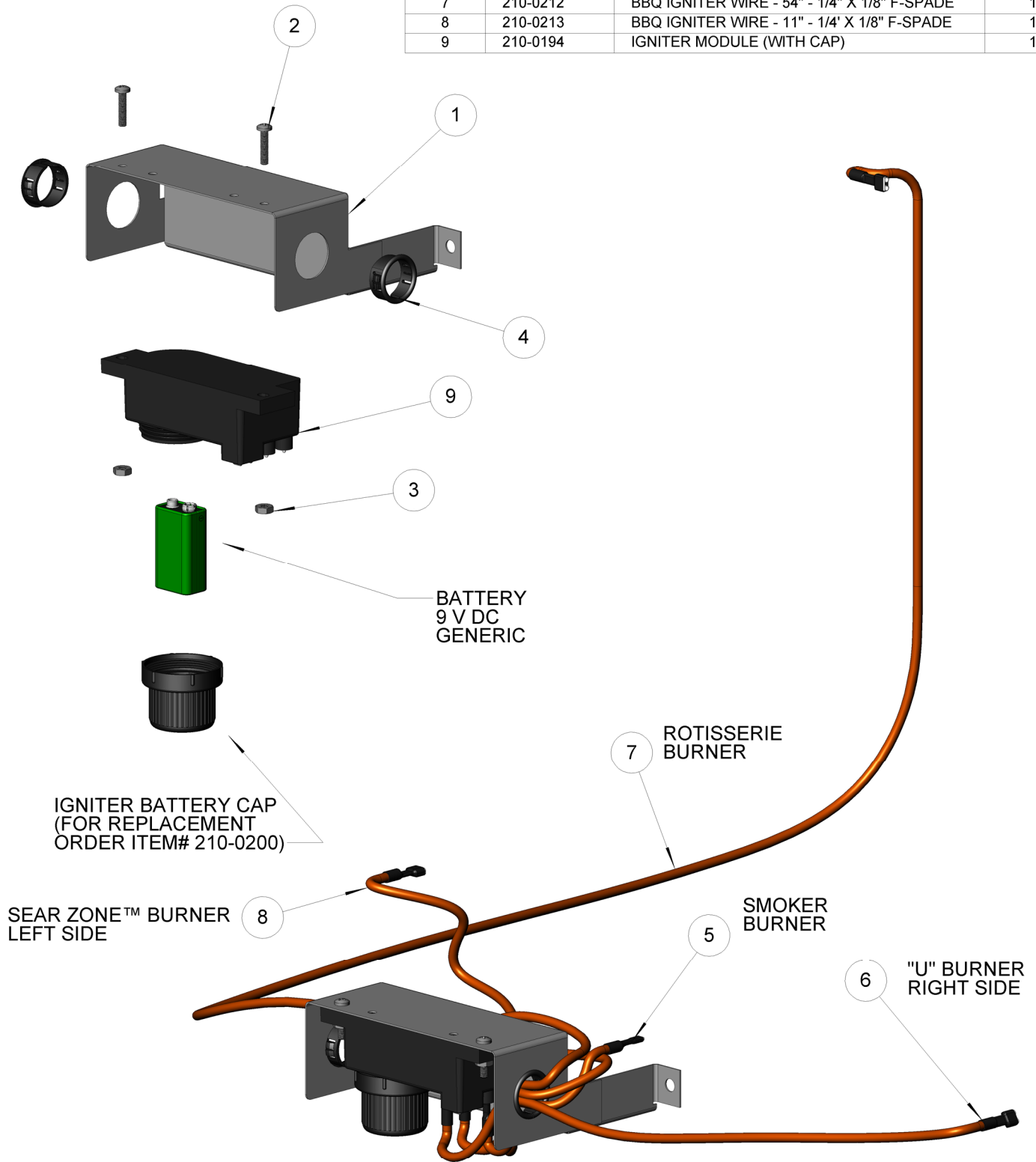
NOTE: THE FOLLOWING ITEMS WILL CHANGE PART NUMBERS DEPENDING UPON THE GAS SUPPLY, NATURAL GAS (NG) OR LIQUID PROPANE (LP)

ITEM N°	NG	LP
	PART N°	PART N°
14	290-0064	290-0065
15	220-0287	220-0288
16	220-0283	220-0284
17	220-0289	220-0290



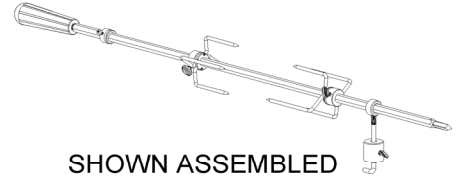
BILL OF MATERIAL

NO.	PART NUMBER	DESCRIPTION	QTY.
1	100-0903	IGNITER HOLDER BRACKET	1
2	200-0079	8-32 X 3/4 - PAN HEAD - PHILIPS SCREW	2
3	200-0080	8-32 - DOUBLE CHAMFER - HEX NUT	2
4	200-0081	BUSHING HEYCO OCB-1000 - PART # 2878	2
5	210-0210	BBQ IGNITER WIRE - 9" - (2) 1/8" F-SPADE	1
6	210-0211	BBQ IGNITER WIRE - 18.5" - 1/4"+1/8" F-SPADE	1
7	210-0212	BBQ IGNITER WIRE - 54" - 1/4" X 1/8" F-SPADE	1
8	210-0213	BBQ IGNITER WIRE - 11" - 1/4" X 1/8" F-SPADE	1
9	210-0194	IGNITER MODULE (WITH CAP)	1



BILL OF MATERIAL

NO.	PART NUMBER	DESCRIPTION	QTY.
1	290-0047	HANDLE - ROTISSERIE SPEAR	1
2	290-0049	SPEAR ROTISSERIE - 30" BBQ	1
3	290-0060	COUNTERWEIGHT FOR ROTISSERIE	1
4	290-0061	ROTISSERIE FORK ASSEMBLY	2
5	290-0062	ROTISSERIE BUSHING ASSEMBLY	1



SHOWN ASSEMBLED

