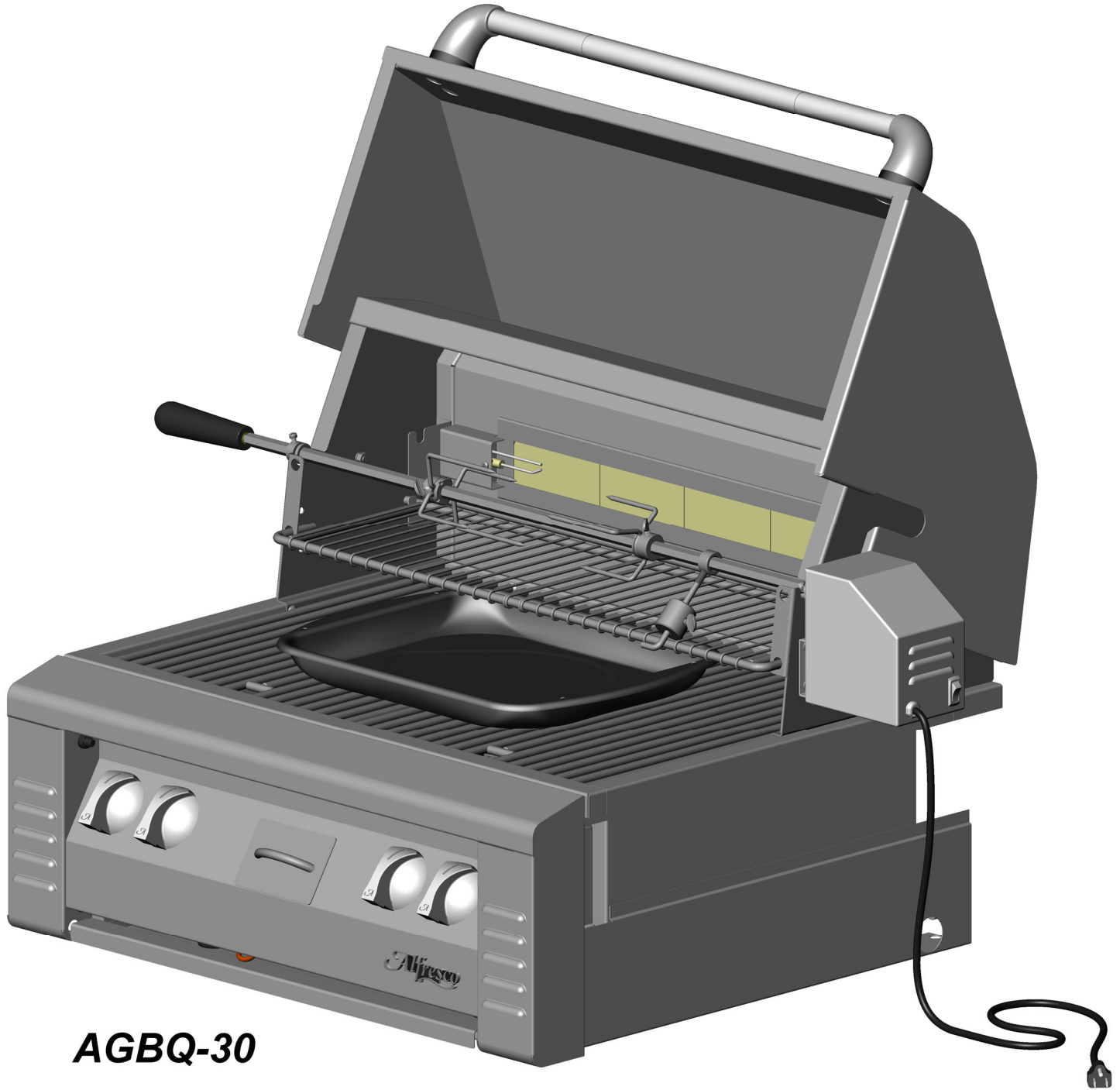


Alfresco™

Open Air Culinary Systems

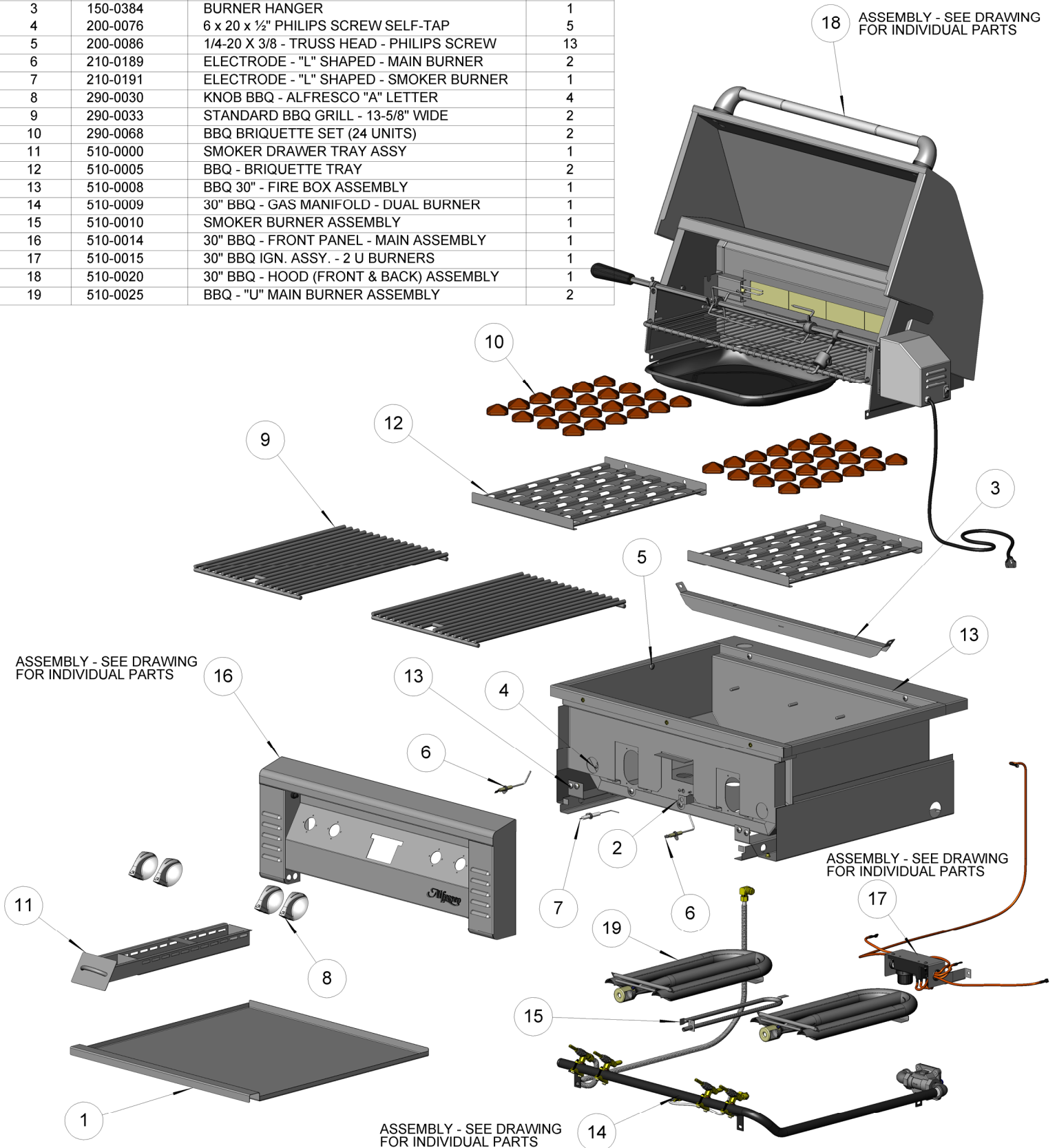


AGBQ-30

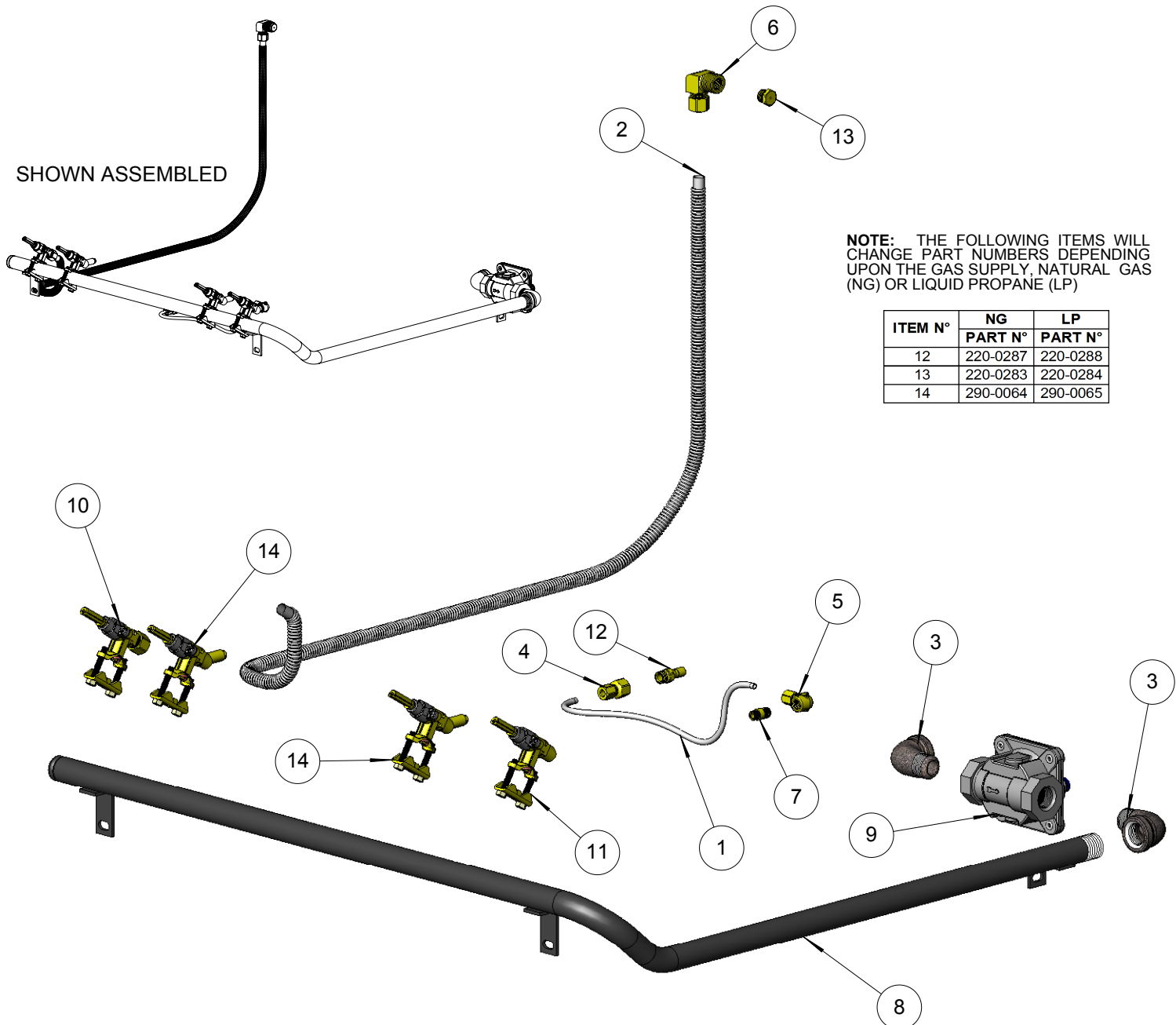
BUILT-IN 30" BBQ GRILL WITH DUAL BURNERS

BILL OF MATERIAL

NO.	PART #	DESCRIPTION	OPEN/Q TY.
1	150-0372	30" BBQ - DRIP PAN	1
2	150-0380	SMOKER ORIFICE HOLDER	1
3	150-0384	BURNER HANGER	1
4	200-0076	6 x 20 x 1/2" PHILIPS SCREW SELF-TAP	5
5	200-0086	1/4-20 X 3/8 - TRUSS HEAD - PHILIPS SCREW	13
6	210-0189	ELECTRODE - "L" SHAPED - MAIN BURNER	2
7	210-0191	ELECTRODE - "L" SHAPED - SMOKER BURNER	1
8	290-0030	KNOB BBQ - ALFRESCO "A" LETTER	4
9	290-0033	STANDARD BBQ GRILL - 13-5/8" WIDE	2
10	290-0068	BBQ BRIQUETTE SET (24 UNITS)	2
11	510-0000	SMOKER DRAWER TRAY ASSY	1
12	510-0005	BBQ - BRIQUETTE TRAY	2
13	510-0008	BBQ 30" - FIRE BOX ASSEMBLY	1
14	510-0009	30" BBQ - GAS MANIFOLD - DUAL BURNER	1
15	510-0010	SMOKER BURNER ASSEMBLY	1
16	510-0014	30" BBQ - FRONT PANEL - MAIN ASSEMBLY	1
17	510-0015	30" BBQ IGN. ASSY. - 2 U BURNERS	1
18	510-0020	30" BBQ - HOOD (FRONT & BACK) ASSEMBLY	1
19	510-0025	BBQ - "U" MAIN BURNER ASSEMBLY	2



BILL OF MATERIAL			
NO.	PART NUMBER	DESCRIPTION	QTY.
1	100-0913	SMOKER GAS LINE - 3/16" Ø AL TUBING	1
2	100-0914	ROTISSERIE GAS LINE (42"L x 3/8" Ø - SS. FLEX TUBE)	1
3	200-0274	ELBOW 90° - CAST IRON - 1/2" FPT x 1/2" MPT	2
4	220-0272	COUPLING 3/16" COMP x 1/8" FPT	1
5	220-0273	ELBOW 90° - 1/8" FPT x 3/16" COMP	1
6	220-0276	ELBOW 3/8" MPT x 1/8" FPT x 3/8" COMP	1
7	220-0277	NIPPLE 1/8"MPT x 1/16"MPT	1
8	220-0279	MANIFOLD - GAS - FOR 30" BBQ	1
9	220-0280	REGULATOR GAS - MAXITROL RV48CL440002	1
10	290-0041	GAS VALVE - STRAIGHT - WITHOUT ORIFICES	1
11	290-0066	GAS VALVE - ANGLED - ORIFICE: INT= 0.95 mm / EXT=NONE	1
12	SEE NOTE	ORIFICE - SMOKER UNIT >>> SEE NOTE	1
13	SEE NOTE	ORIFICE - IR ROTISSERIE UNIT >>> SEE NOTE	1
14	SEE NOTE	GAS VALVE - ANGLED WITH ORIFICE >>> SEE NOTE	2

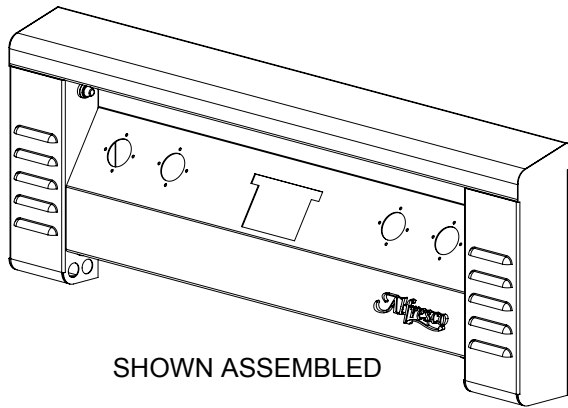


NOTE: THE FOLLOWING ITEMS WILL CHANGE PART NUMBERS DEPENDING UPON THE GAS SUPPLY, NATURAL GAS (NG) OR LIQUID PROPANE (LP)

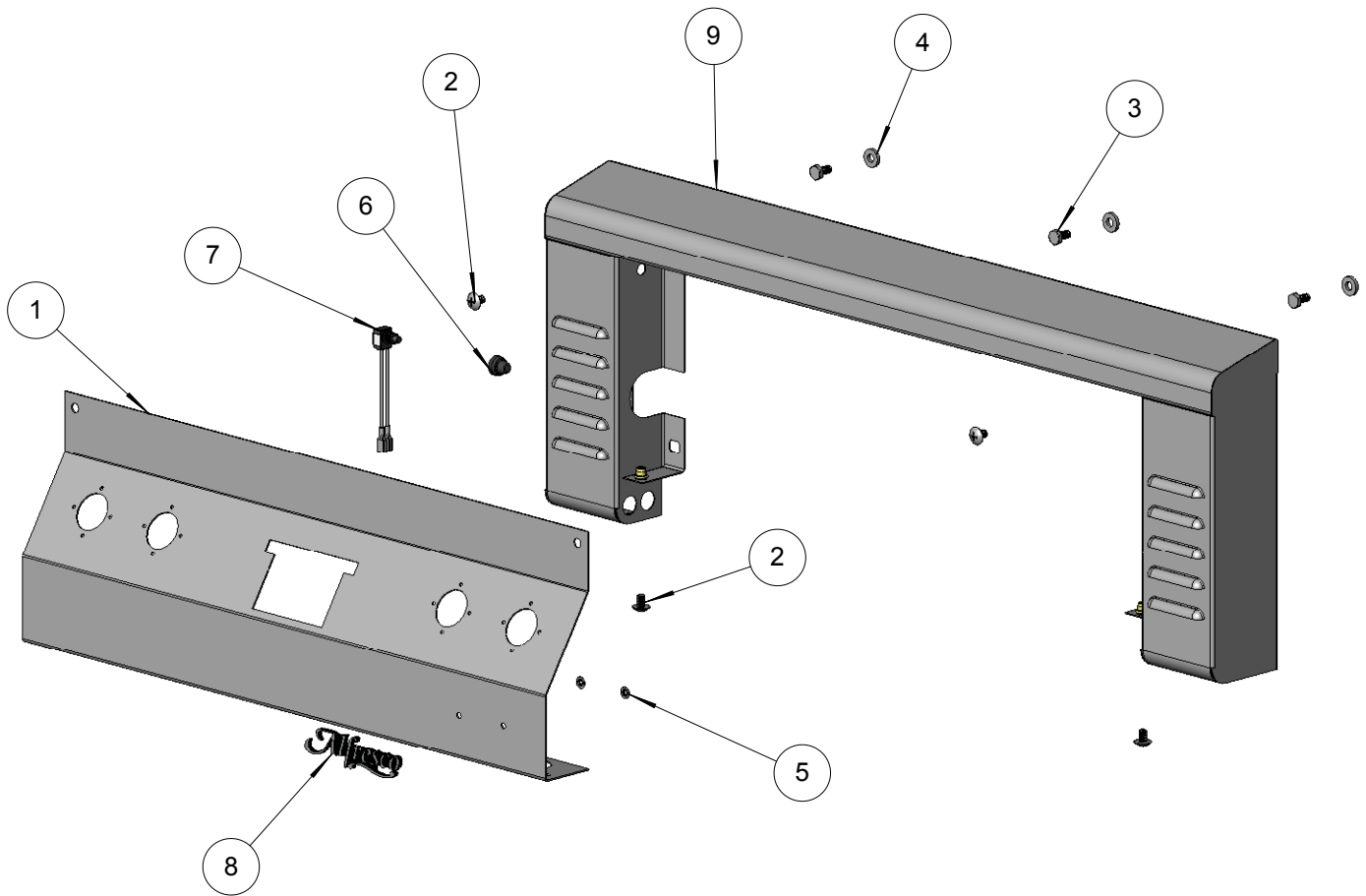
ITEM N°	NG	LP
	PART N°	PART N°
12	220-0287	220-0288
13	220-0283	220-0284
14	290-0064	290-0065

BILL OF MATERIAL

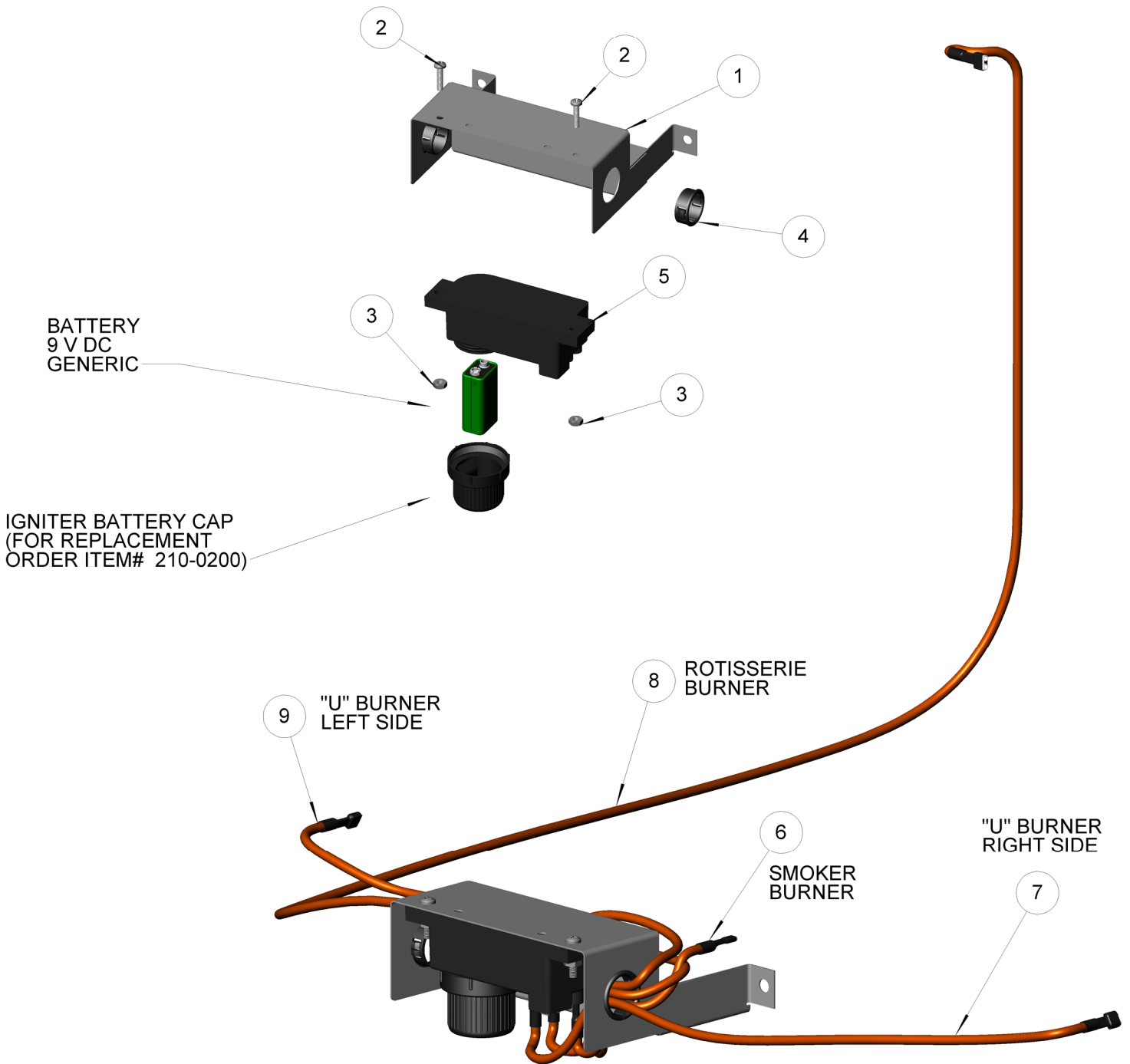
NO.	PART NUMBER	DESCRIPTION	Default/ QTY.
1	100-0902	30" BBQ - FRONT PANEL	1
2	200-0086	1/4-20 X 3/8 - TRUSS HEAD - PHILIPS SCREW	4
3	200-0089	1/4-20 X 1/2 - HEX HEAD BOLT	3
4	200-0092	1/4 X 1/8 X 5/8 FLAT WASHER - SPACER	3
5	200-0093	WASHER - PUSH LOCK 1/8" ID X 3/8" OD (FOR LOGO)	2
6	210-0198	SWITCH - WEATHER BOOT & CAP	1
7	210-0443	SWITCH BBQ IGNITER ONLY- OFF-[ON] MOMENTARY	1
8	290-0031	LOGO - ALFRESCO	1
9	510-0021	30" BBQ - FRONT - WELDED PARTS	1



SHOWN ASSEMBLED

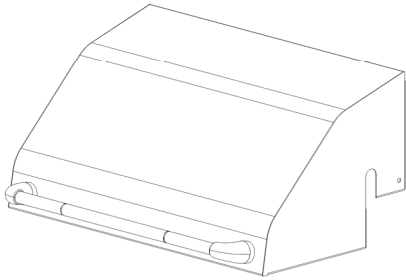


BILL OF MATERIAL			
NO.	PART NUMBER	DESCRIPTION	QTY.
1	100-0903	IGNITER HOLDER BRACKET	1
2	200-0079	8-32 X 3/4 - PAN HEAD - PHILIPS SCREW	2
3	200-0080	8-32 - DOUBLE CHAMFER - HEX NUT	2
4	200-0081	BUSHING HEYCO OCB-1000 - PART # 2878	2
5	210-0194	IGNITER MODULE (WITH CAP)	1
6	210-0210	BBQ IGNITER WIRE - 9" - (2) 1/8" F-SPADE	1
7	210-0211	BBQ IGNITER WIRE - 18.5" - 1/4"+1/8" F-SPADE	1
8	210-0212	BBQ IGNITER WIRE - 54" - 1/4" X 1/8" F-SPADE	1
9	210-0213	BBQ IGNITER WIRE - 11" - 1/4" X 1/8" F-SPADE	1

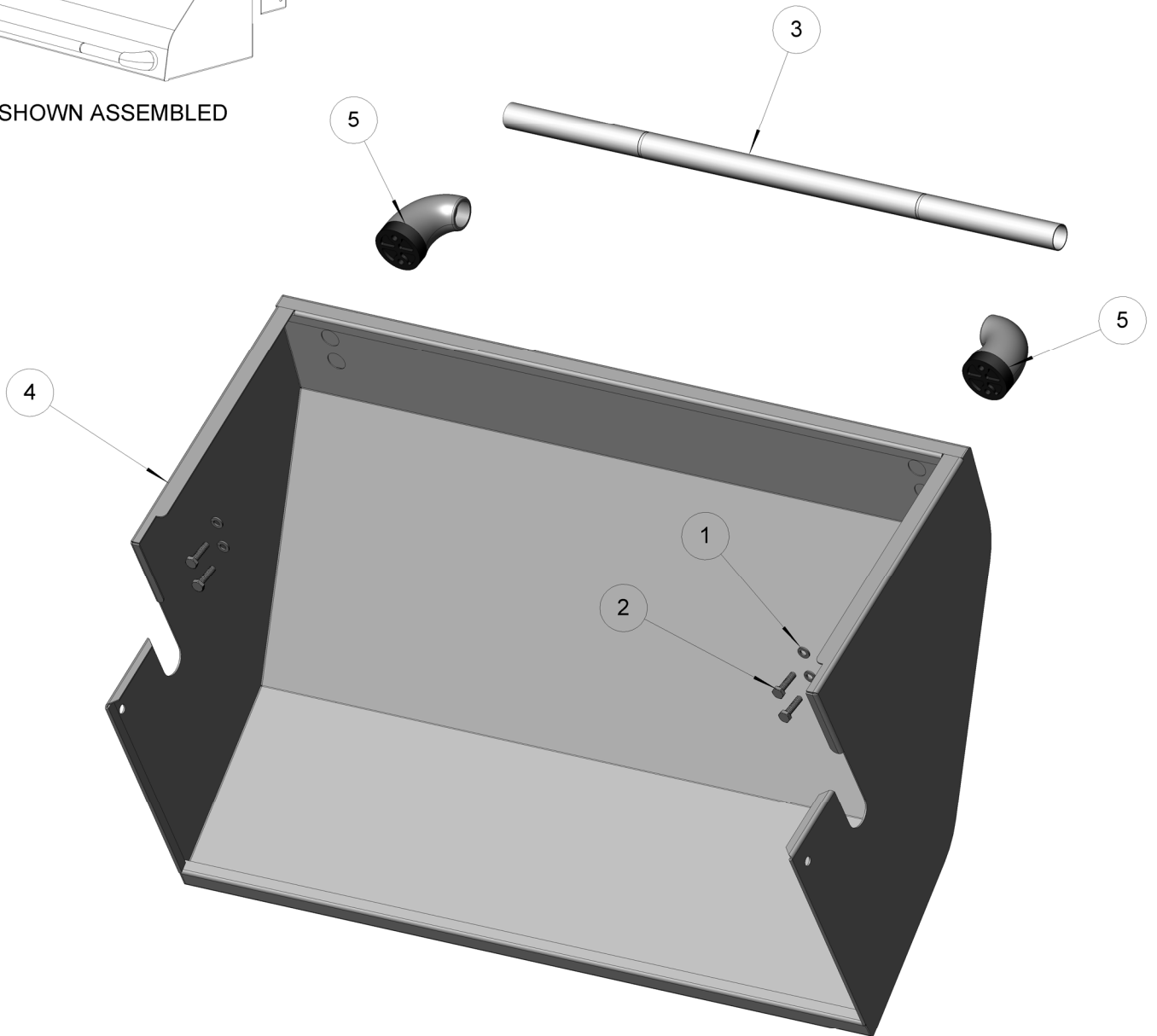


SHOWN ASSEMBLED

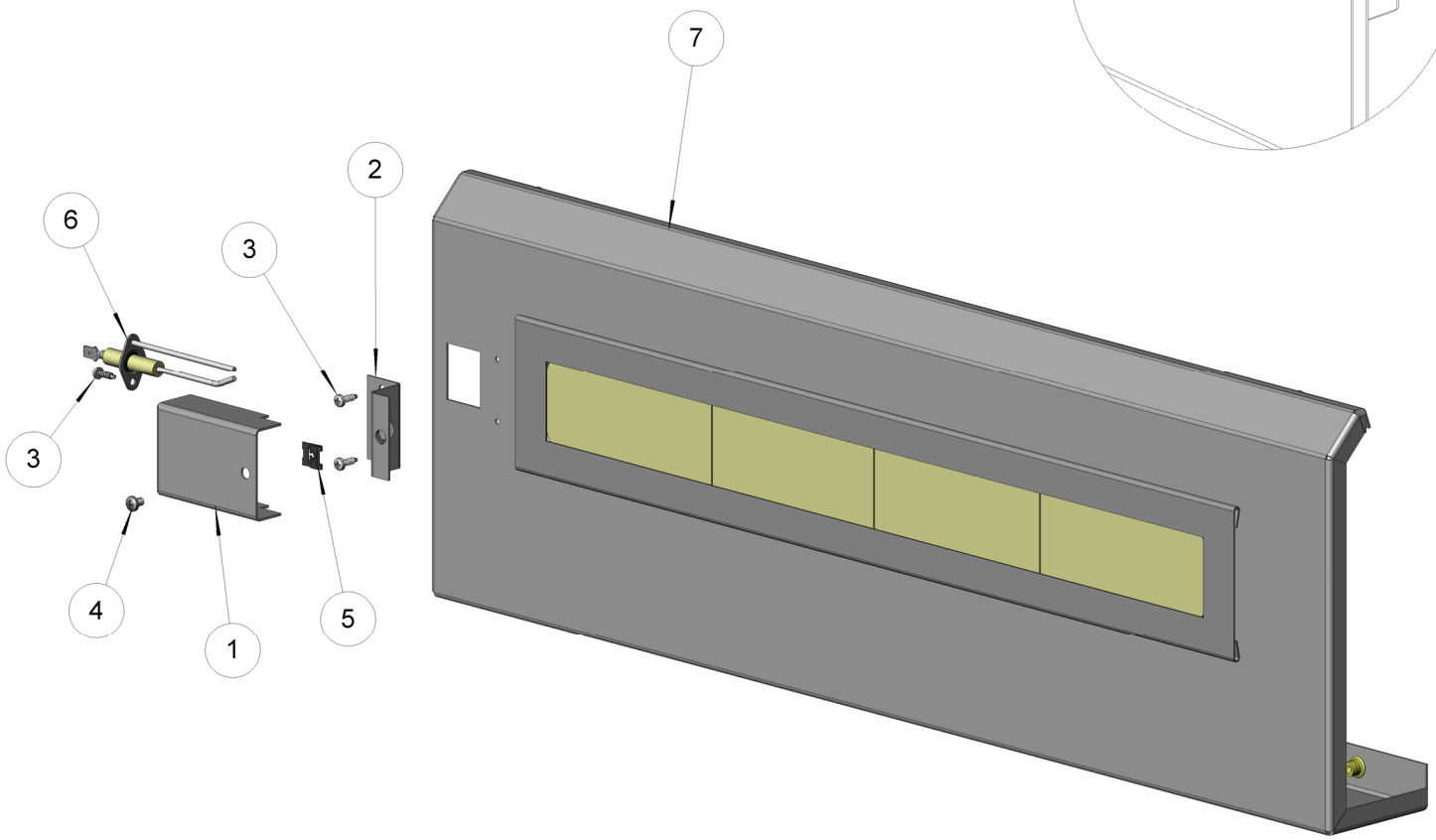
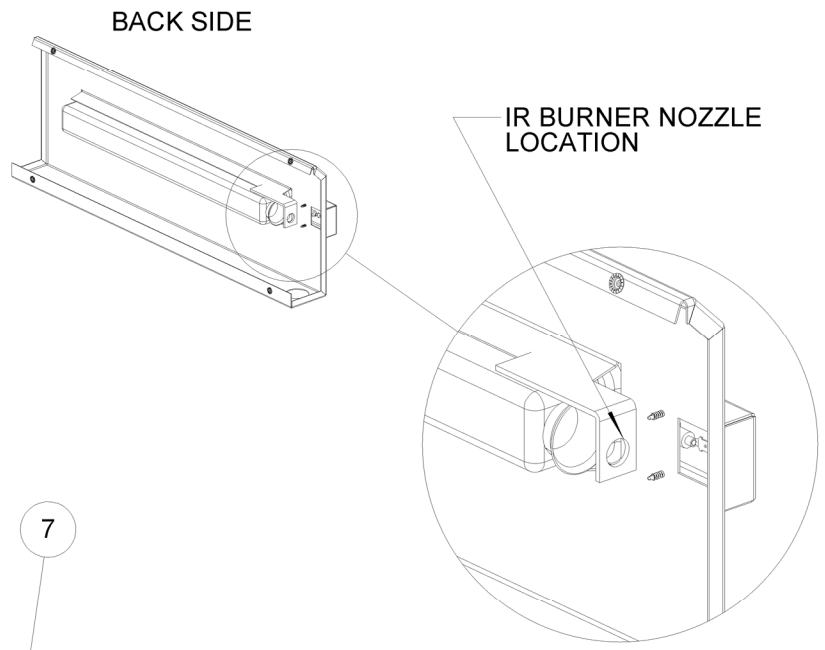
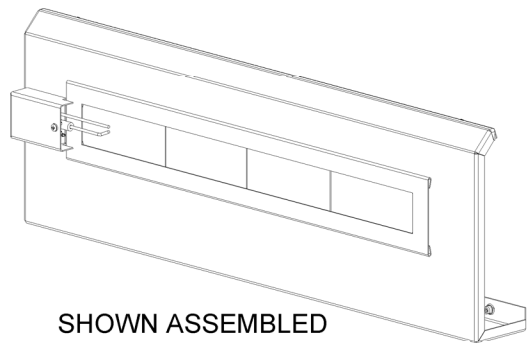
BILL OF MATERIAL			
NO.	PART NUMBER	DESCRIPTION	QTY.
1	200-0087	1/4" LOCK WASHER	4
2	200-0091	1/4-20 X 1 HEX HEAD BOLT	4
3	290-0029	HANDLE BAR - 24" KNURLED	1
4	510-0022	30" BBQ - FRONT HOOD - WELDED PARTS	1
5	290-0063	HANDLE - END CAP ASSEMBLY	2



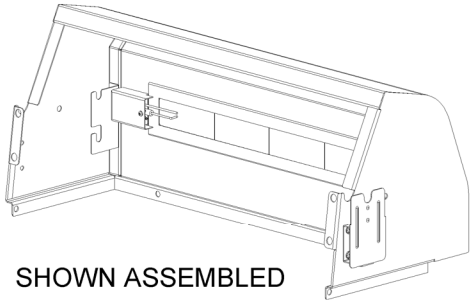
SHOWN ASSEMBLED



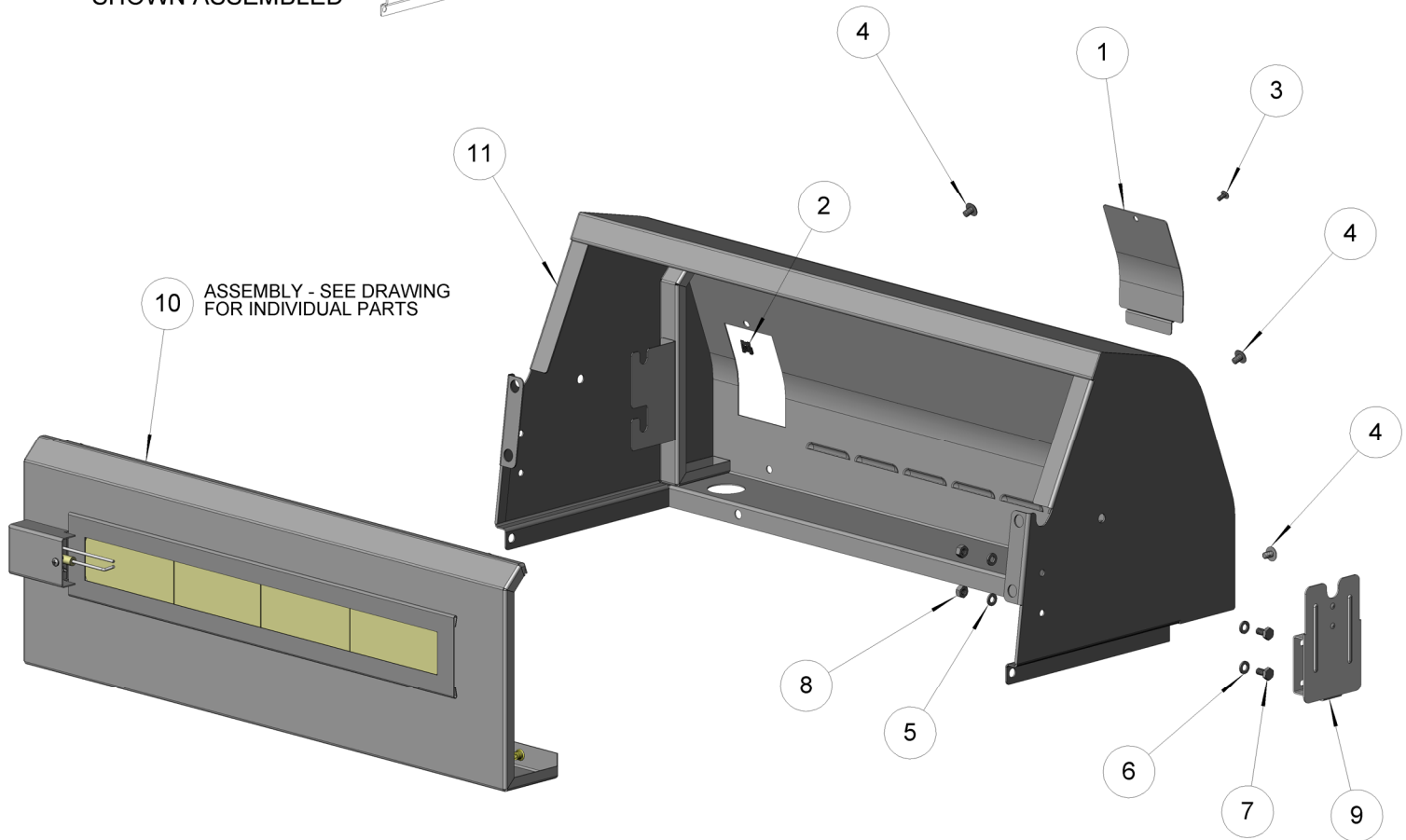
BILL OF MATERIAL			
NO.	PART NUMBER	DESCRIPTION	QTY.
1	100-0904	ROTISSERIE BURNER - ELECTRODE COVER	1
2	100-0905	ROTISSERIE BURNER - ELECTRODE BRACKET	1
3	200-0076	6 x 20 x 1/2" PHILIPS SCREW SELF-TAP	3
4	200-0083	8-32 X 1/4 - PAN HEAD - PHILIPS SCREW	1
5	200-0084	8-32 TINNEMAN® TYPE NUT - "J" CLIP	1
6	210-0192	ELECTRODE - DUAL TIP - IR BURNERS	1
7	510-0024	30" BBQ - ROTISSERIE PANEL ASSY (INCLUDES BURNER)	1



BILL OF MATERIAL			
NO.	PART NUMBER	DESCRIPTION	QTY.
1	150-0397	ROTISSERIE BURNER - ORIFICE ACCESS COVER	1
2	200-0084	8-32 TINNEMAN® TYPE NUT - "J" CLIP	1
3	200-0085	8-32 X 3/8 - TRUSS HEAD - PHILIPS SCREW	1
4	200-0086	1/4-20 X 3/8 - TRUSS HEAD - PHILIPS SCREW	4
5	200-0087	1/4" LOCK WASHER	2
6	200-0088	WASHER - 1/4 - FLAT NARROW	2
7	200-0089	1/4-20 X 1/2 - HEX HEAD BOLT	2
8	200-0090	1/4-20 - DOUBLE CHAMFER - HEX NUT	2
9	290-0048	MOUNT - MOTOR SUPPORT - ROTISSERIE	1
10	510-0018	30" BACK HOOD ROTISSERIE PANEL	1
11	510-0023	30" BBQ - REAR HOOD - WELDED PARTS	1



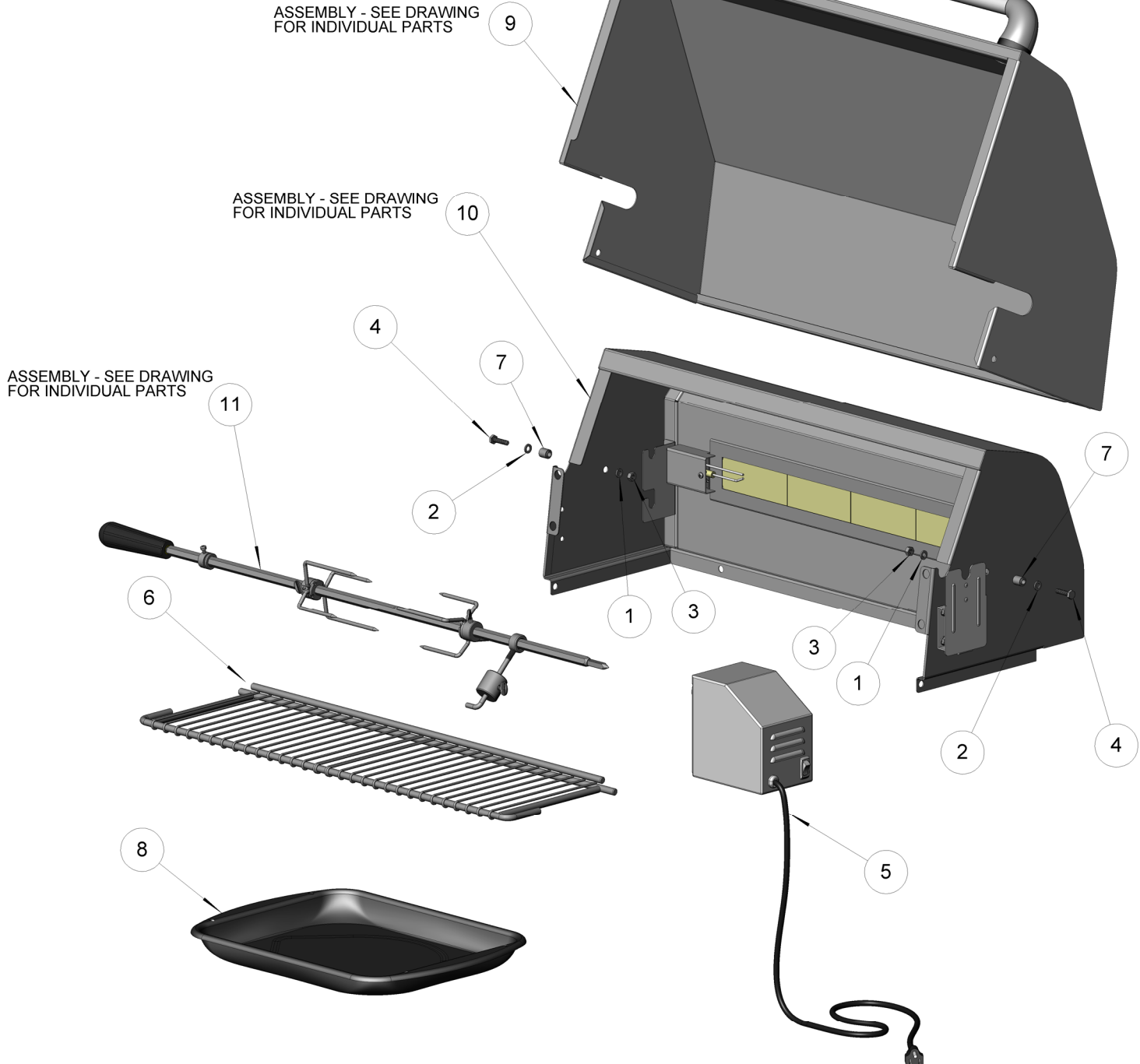
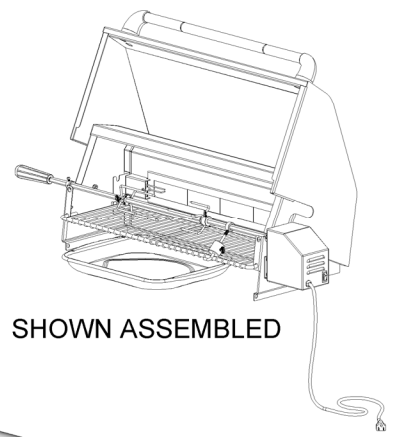
SHOWN ASSEMBLED



10 ASSEMBLY - SEE DRAWING FOR INDIVIDUAL PARTS

BILL OF MATERIAL

NO.	PART NUMBER	DESCRIPTION	QTY.
1	200-0087	1/4" LOCK WASHER	2
2	200-0088	WASHER - 1/4 - FLAT NARROW	2
3	200-0090	1/4-20 - DOUBLE CHAMFER - HEX NUT	2
4	200-0091	1/4-20 X 1 HEX HEAD BOLT	2
5	210-0196	ROTISSERIE MOTOR ASSEMBLY	1
6	290-0034	30" BBQ WARMING GRILL	1
7	290-0040	BUSHING 1/2 Ø x 1/2 L - SS - HOOD HINGE	2
8	290-0059	ROTISSERIE DRIP PAN	1
9	510-0017	30" BBQ - FRONT HOOD ASSEMBLY	1
10	510-0019	30" BBQ - ALFRESCO REAR HOOD	1
11	510-0046	ROTISSERIE SPEAR KIT	1



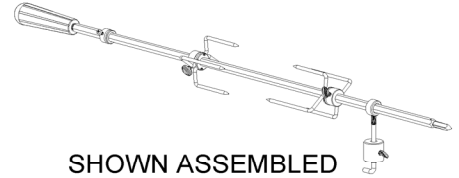
ASSEMBLY - SEE DRAWING FOR INDIVIDUAL PARTS

ASSEMBLY - SEE DRAWING FOR INDIVIDUAL PARTS

ASSEMBLY - SEE DRAWING FOR INDIVIDUAL PARTS

BILL OF MATERIAL

NO.	PART NUMBER	DESCRIPTION	QTY.
1	290-0047	HANDLE - ROTISSERIE SPEAR	1
2	290-0049	SPEAR ROTISSERIE - 30" BBQ	1
3	290-0060	COUNTERWEIGHT FOR ROTISSERIE	1
4	290-0061	ROTISSERIE FORK ASSEMBLY	2
5	290-0062	ROTISSERIE BUSHING ASSEMBLY	1



SHOWN ASSEMBLED

