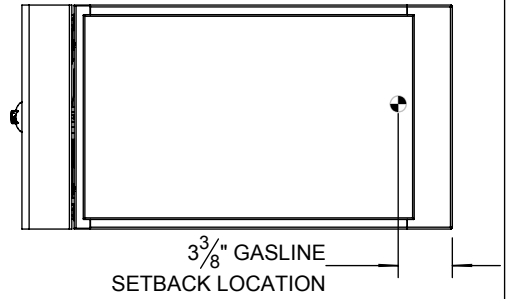
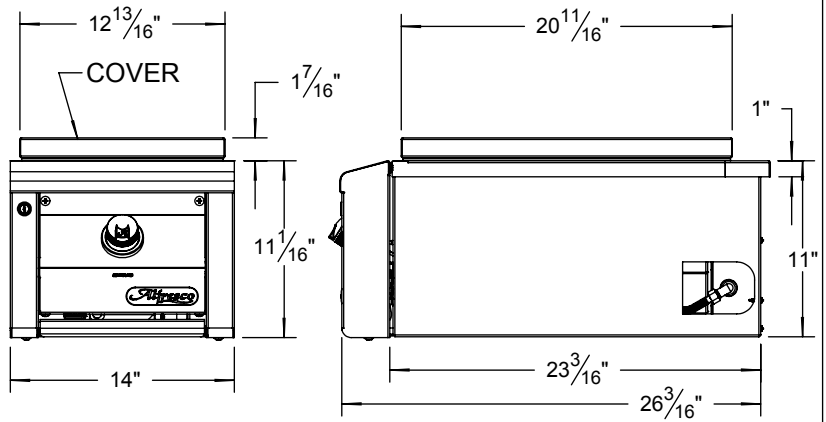


AXESZ TYPICAL INSTALLATION

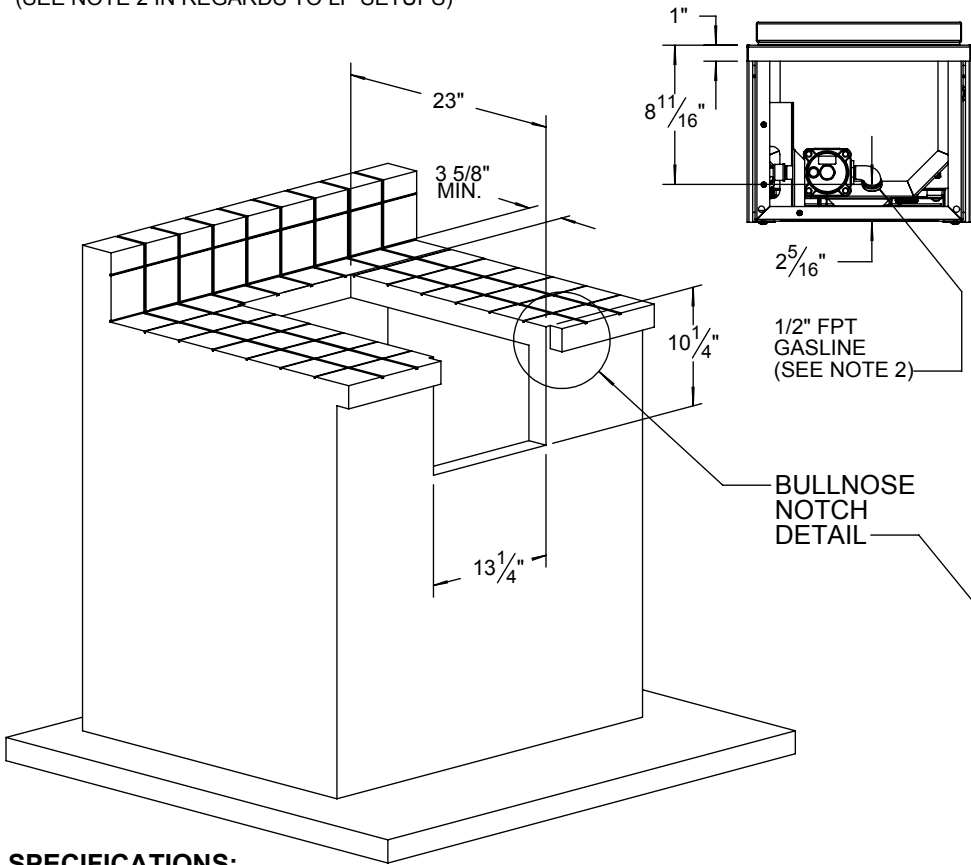
AXESZ - SEAR-ZONE™ SIDE BURNER



COUNTERTOP CUTOUT REQUIREMENTS

NOTE 1:
A GAS LINE IS REQUIRED INSIDE THE COUNTER FOR OPERATION.

IT IS RECOMMENDED THAT A FLEXIBLE GAS LINE IS USED TO EASE INSTALLATION IN NATURAL GAS (NG) SETUPS. (SEE NOTE 2 IN REGARDS TO LP SETUPS)

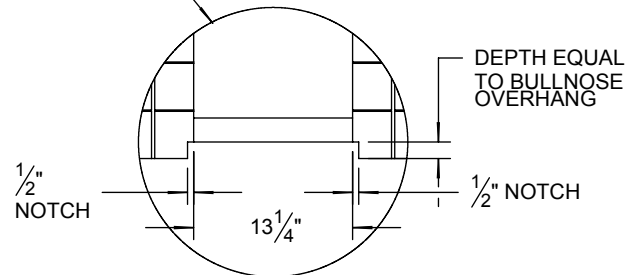


LP GAS SETUP:

REGULATOR WITH 36" HOSE

ADAPTER:
1/2" MPT x 3/8" MPT

NOTE 2:
STANDARD UNIT HAS A NATURAL GAS (NG) CONNECTION WITH 1/2" FPT FITTING.
IF LIQUID PROPANE (LP) OPTION IS ORDERED, THE UNIT IS SUPPLIED WITH A REGULATOR, HOSE AND ADAPTER FITTING AS SHOWN.



SPECIFICATIONS:

BTUH = 28,200
 FUEL - NG @ 5 W.C. OR LP @ 10 W.C.
 ELECTRICAL POWER - 9 VDC BATTERY
 GAS CONNECTION = 1/2" NPT (NG) OR 3/8" ODF (LP)



THE INFORMATION CONTAINED IN THIS DRAWING IS THE SOLE PROPERTY OF SUPERIOR EQUIPMENT SOLUTIONS INC. ANY REPRODUCTION IN PART OR AS A WHOLE WITHOUT WRITTEN PERMISSION FROM SUPERIOR EQUIPMENT SOLUTIONS, INC. IS PROHIBITED.

DRAWN BY: ADRIAN CRISCI
CREATED: 08/19/2015

PROJECT TITLE: AXESZ

DRAWING TITLE:

AXESZ - SIDE BURNER SPECIFICATIONS

DRAWING NO.:

AXESZ - SPEC SHEET