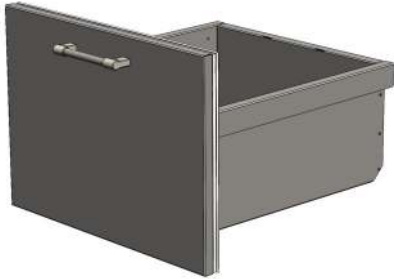
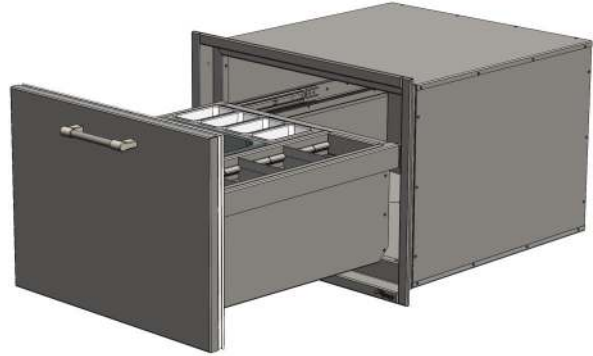


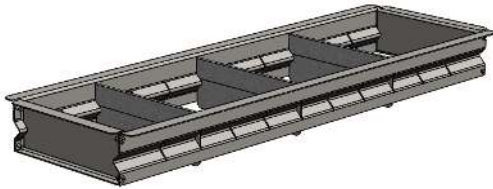
AXE-ID PARTS LIST



DRAWER
510-0830



AXE-ID



BOTTLE HOLDER RIM ASSEMBLY
510-0706



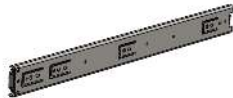
DRAIN TUBE
100-2290



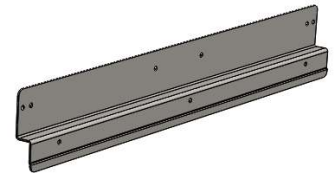
CONDIMENT SUPPORT TRAY
290-0396



DRAWER SLIDES
290-0292



LONG CROSS BAR
100-2266



DRAWER SLIDE BRACKET
100-2280



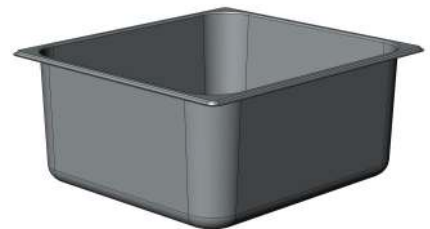
CONDIMENT TRAY
290-0081



CRIMP CLAMP
200-0047



GROMMET
200-0008



FOOD PAN
290-0130



SCREW 200-0268

NOTE:
THE SAME SCREW SIZE
IS USED TO ATTACH THE
SLIDES BOTH TO THE
DRAWER SLIDE BRACKET
AND THE DRAWER.



PLUG
200-0041



HANDLE
290-0401