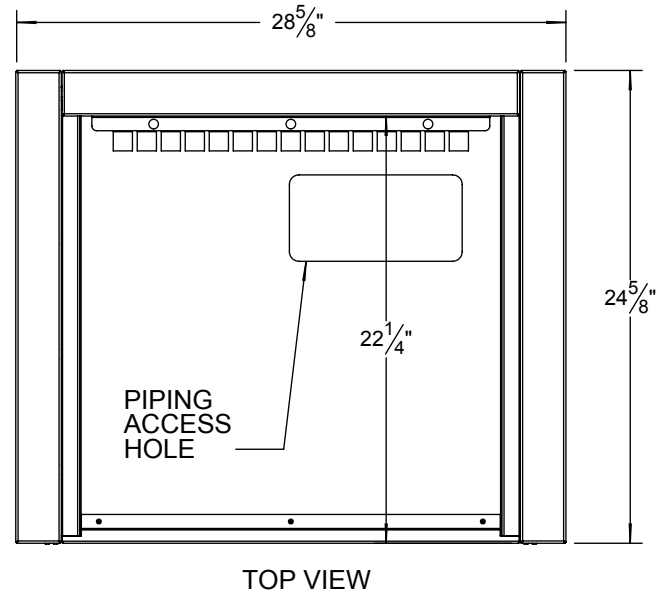
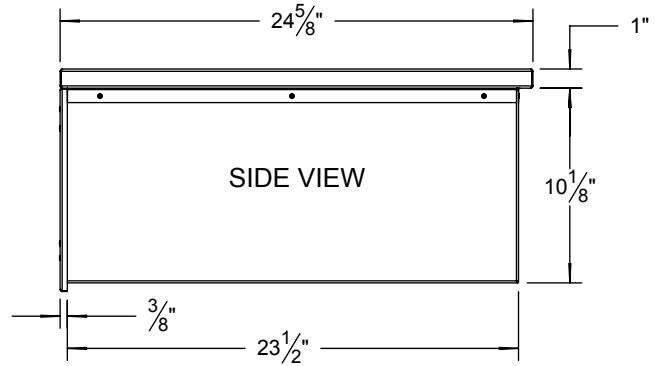
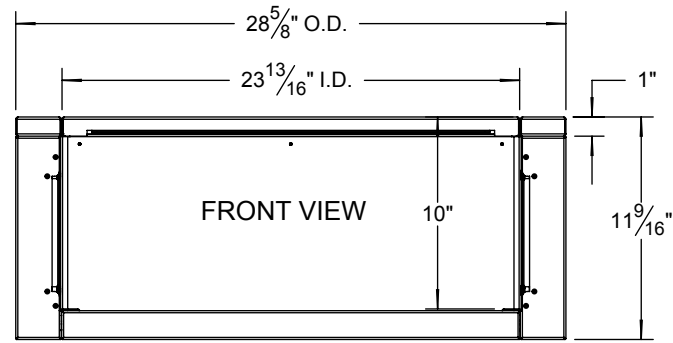
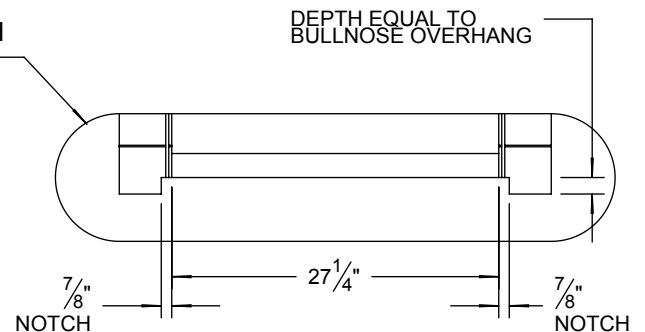
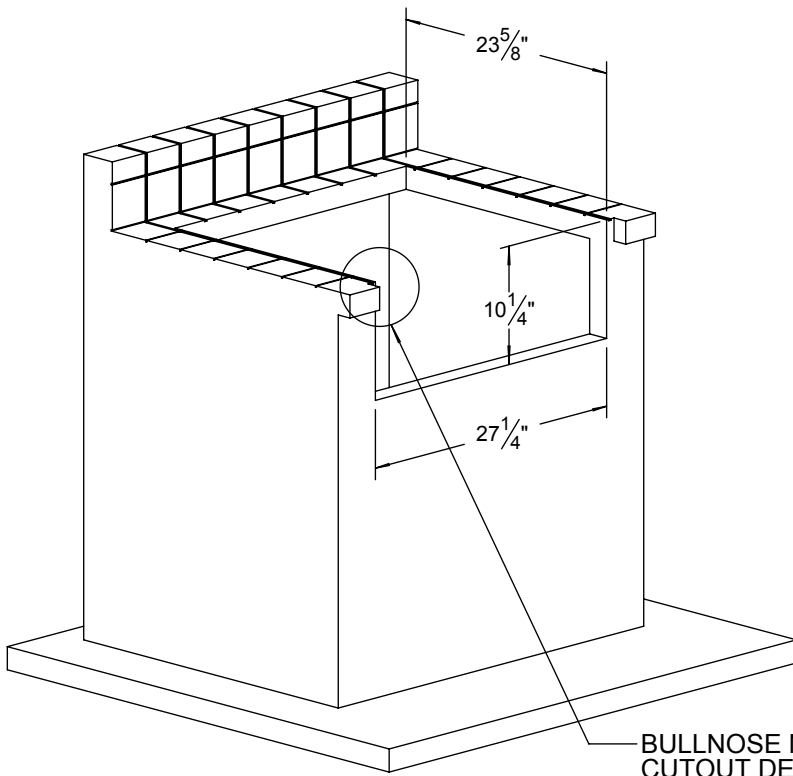


**ARTIJ-26 TYPICAL INSTALLATION**



**COUNTER CUTOUT REQUIREMENTS**



**NOTE:**

COUNTER MUST HAVE THE PROPER GAS SUPPLY FOR YOUR ARTISAN BBQ MODEL. REFER TO YOUR UNIT'S MANUAL OR SERIAL PLATE INFORMATION.