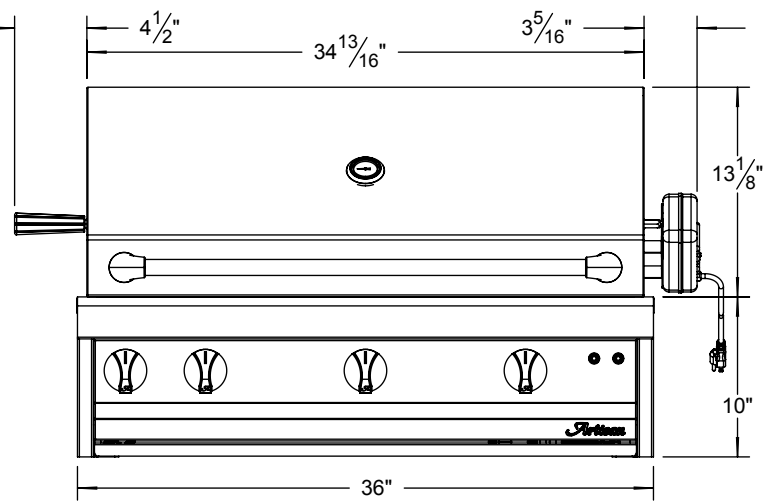
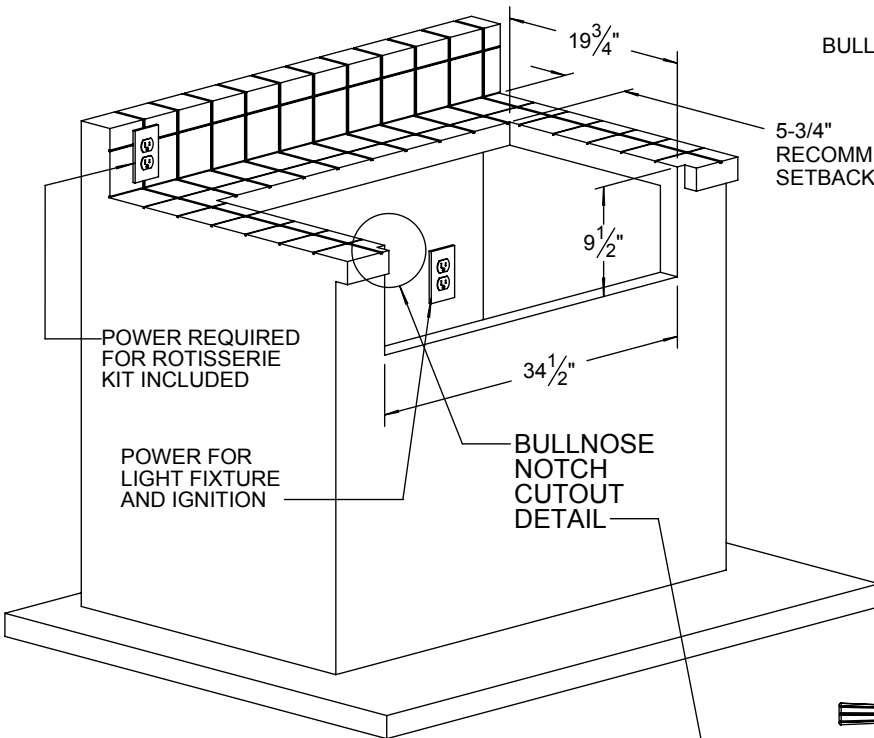


TYPICAL ART2-36 INSTALLATION



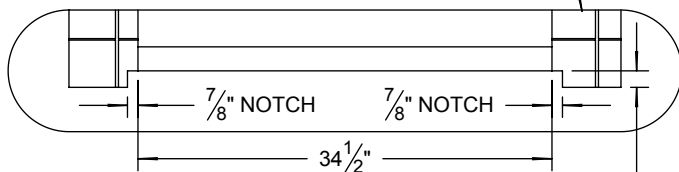
COUNTERTOP CUTOUT REQUIREMENTS



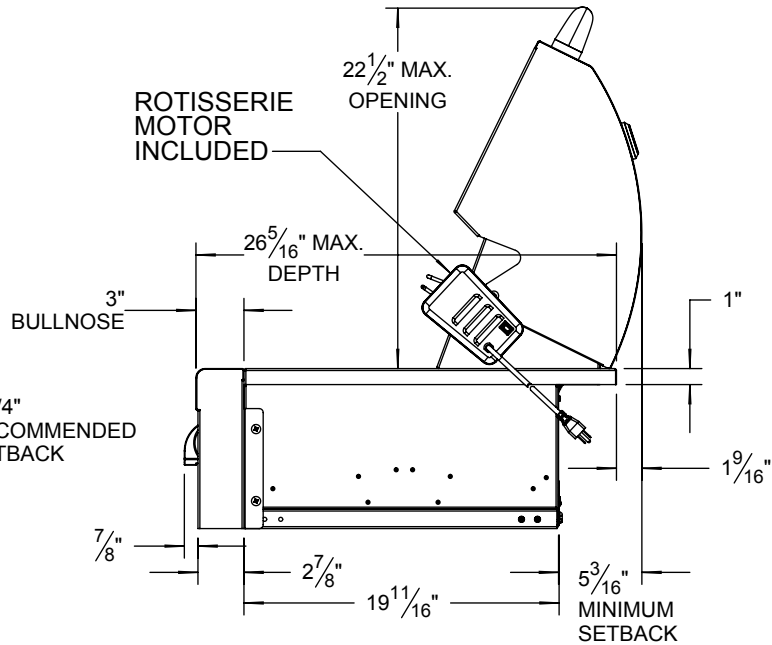
POWER REQUIRED FOR ROTISSERIE KIT INCLUDED

POWER FOR LIGHT FIXTURE AND IGNITION

BULLNOSE NOTCH CUTOUT DETAIL



DEPTH EQUAL TO BULLNOSE OVERHANG



ROTISSERIE MOTOR INCLUDED

22 1/2" MAX. OPENING

26 5/16" MAX. DEPTH

3" BULLNOSE

5-3/4" RECOMMENDED SETBACK

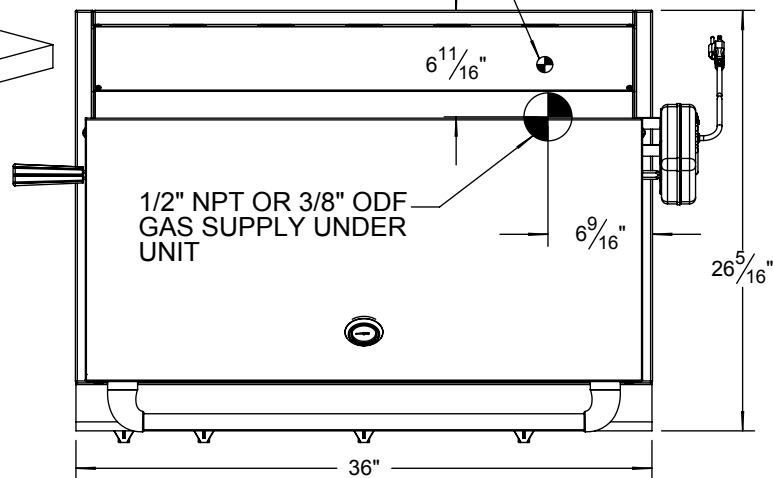
7/8"

2 7/8"

19 11/16"

5 3/16" MINIMUM SETBACK

UNIT SUPPLIED WITH AN 8 FT, NEMA 5-15 ELECTRICAL PLUG



1/2" NPT OR 3/8" ODF GAS SUPPLY UNDER UNIT

26 5/16"

SPECIFICATIONS:

BTUH = 75,000
 FUEL NG @ 5 W.C. / LP @ 10 W.C.
 ELECTRICAL POWER: 115 VAC / 0.71AMPS / 60 Hz.
 GAS CONNECTION: 1/2" NPT (NG) OR 3/8" ODF (LP)

NOTE:

COUNTER MUST HAVE THE PROPER GAS SUPPLY AND ELECTRICAL POWER FOR YOUR ARTISAN BBQ.

Artisan

THE INFORMATION CONTAINED IN THIS DRAWING IS THE SOLE PROPERTY OF SUPERIOR EQUIPMENT SOLUTIONS INC. ANY REPRODUCTION IN PART OR AS A WHOLE WITHOUT WRITTEN PERMISSION FROM SUPERIOR EQUIPMENT SOLUTIONS, INC. IS PROHIBITED.

PROJECT TITLE:

ARTISAN GRILLS

DRAWING NO.:

ART2-36 SPEC SHEET

DRAWN BY: ADRIAN CRISCI

CREATED: 03/18/2013 @ 9:30 AM

DRAWING TITLE:

ART2-36 SPECIFICATIONS

SHEET 1 OF 1

SUPERIOR EQUIPMENT SOLUTIONS
 7039 EAST SLAUSON AVENUE
 COMMERCE, CA. 90040