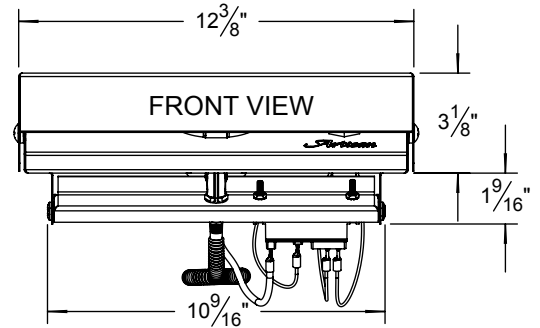
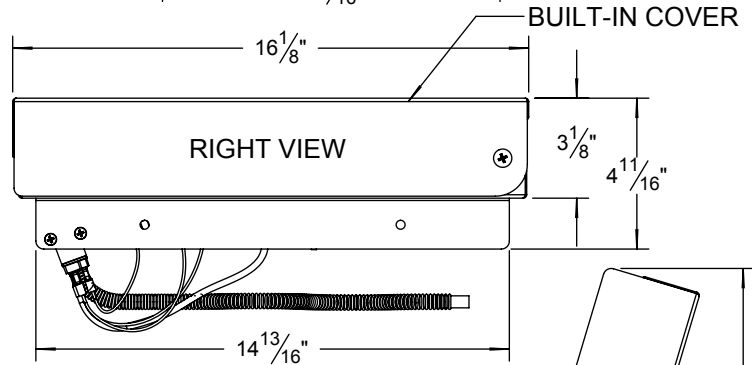


ART-SB1 UNIT

ART-SB1 TYPICAL INSTALLATION



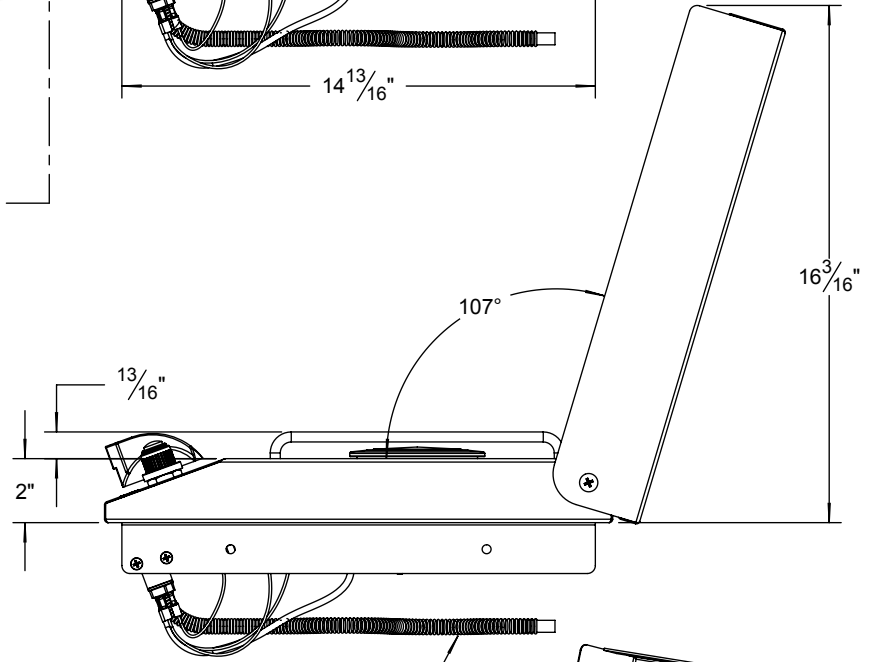
FRONT VIEW



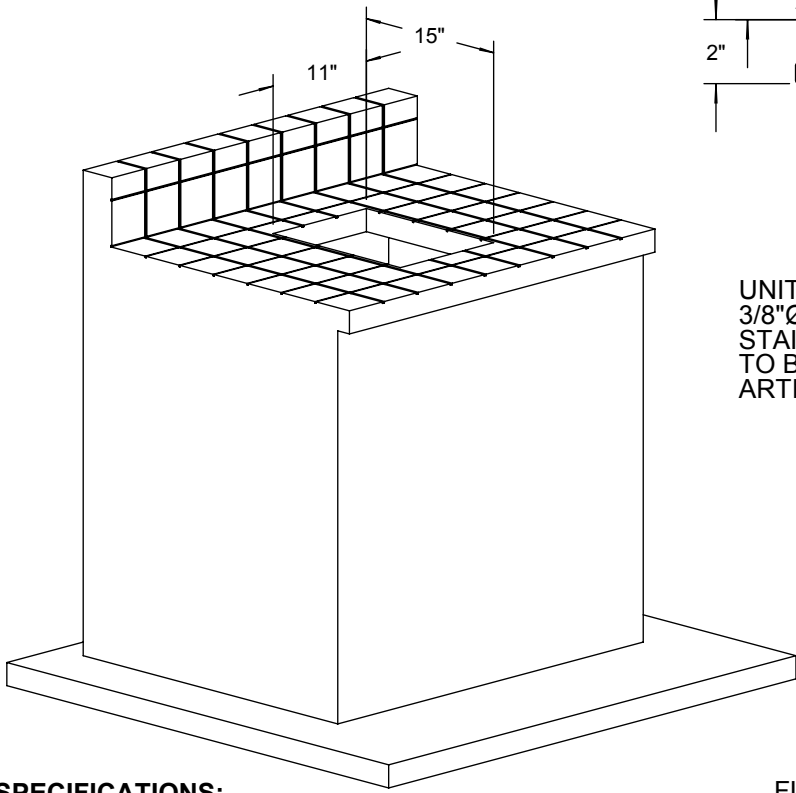
RIGHT VIEW

BUILT-IN COVER

COUNTER TOP CUTOUT REQUIREMENTS



UNIT IS SUPPLIED WITH 3/8"Ø X 42" LONG FLEXIBLE STAINLESS PIPING WITH TEE TO BE USED WITH ADJACENT ARTISAN GRILL.



SPECIFICATIONS:

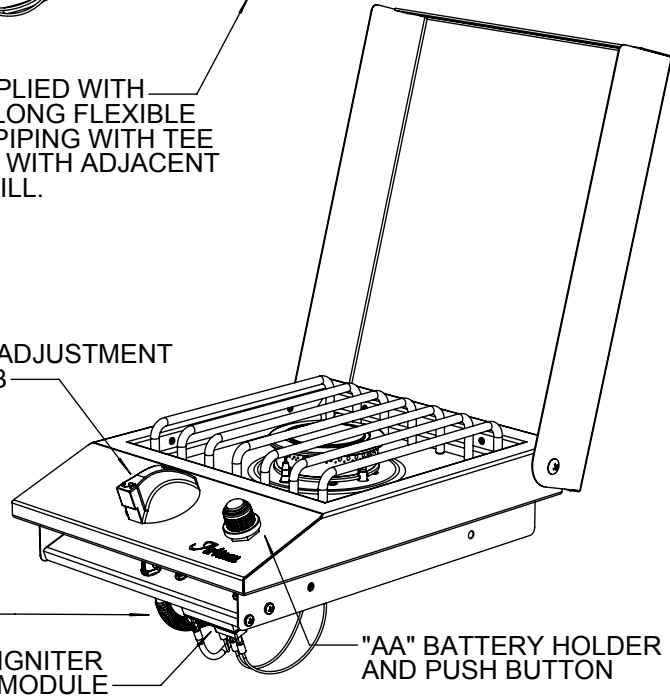
- BTUH = 20,000
- FUEL = NG @ 5" W.C. OR LP @ 10" W.C.
- ELECTRICAL POWER = 1.5 VDC AA BATTERY
- GAS CONNECTION = 3/8" PIPING TO ARTISAN GRILL

GAS ADJUSTMENT KNOB

FLEXIBLE PIPING

IGNITER MODULE

"AA" BATTERY HOLDER AND PUSH BUTTON



THE INFORMATION CONTAINED IN THIS DRAWING IS THE SOLE PROPERTY OF SUPERIOR EQUIPMENT SOLUTIONS INC. ANY REPRODUCTION IN PART OR AS A WHOLE WITHOUT WRITTEN PERMISSION FROM SUPERIOR EQUIPMENT SOLUTIONS, INC. IS PROHIBITED.
DRAWN BY: ADRIAN CRISCI
CREATED: 5/4/2011 10:00:06 AM

PROJECT TITLE:
ARTISAN ACCESORIES
DRAWING TITLE:
ART-SB1 SIDE BURNER SPECIFICATIONS

DRAWING NO.:
ART-SB1 SPEC SHEET
 SHEET 1 OF 1