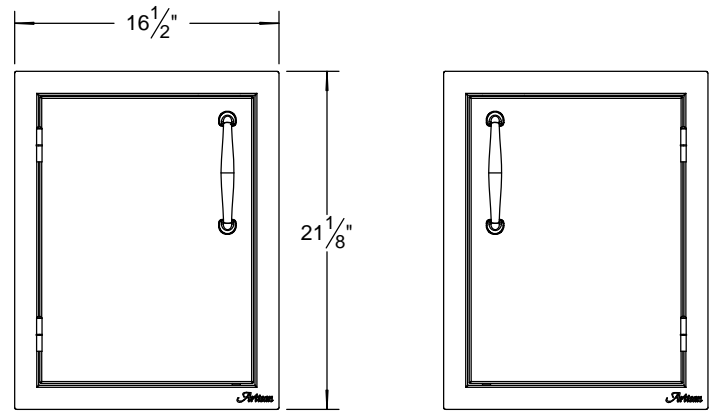


ART - ACCESS DOOR TYPICAL INSTALLATION

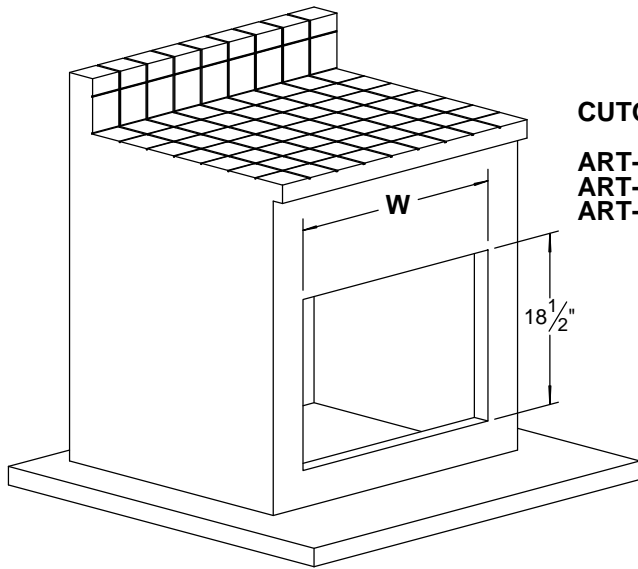
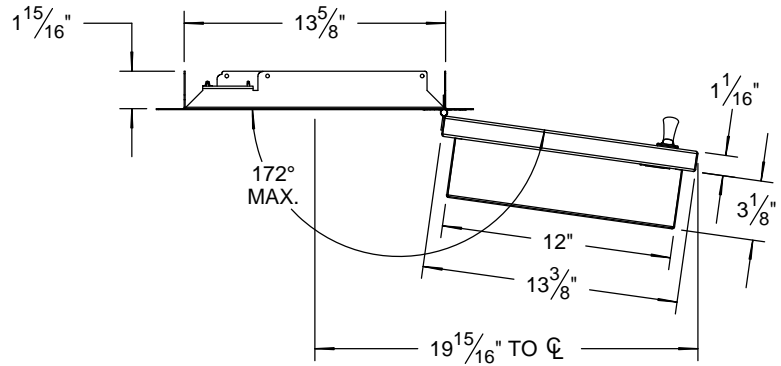
COUNTER FRONT CUTOUT REQUIREMENTS



ART-SDL

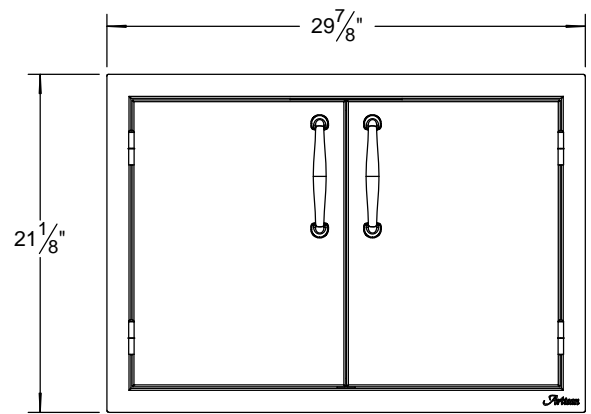
ART-SDR

TOP VIEW: DIMENSIONS APPLY TO ART-SDL / SDR



CUTOUT WIDTH (W):

- ART-SDL: 13-7/8"**
- ART-SDR: 13-7/8"**
- ART-DD: 27-1/4"**



ART-DD

PROFILE (ALL DOORS)

