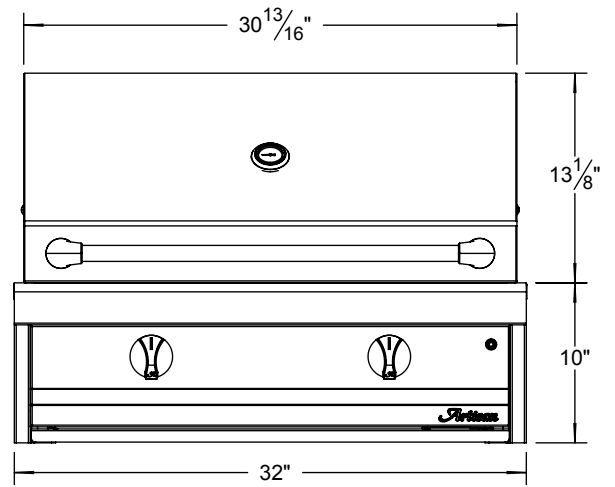
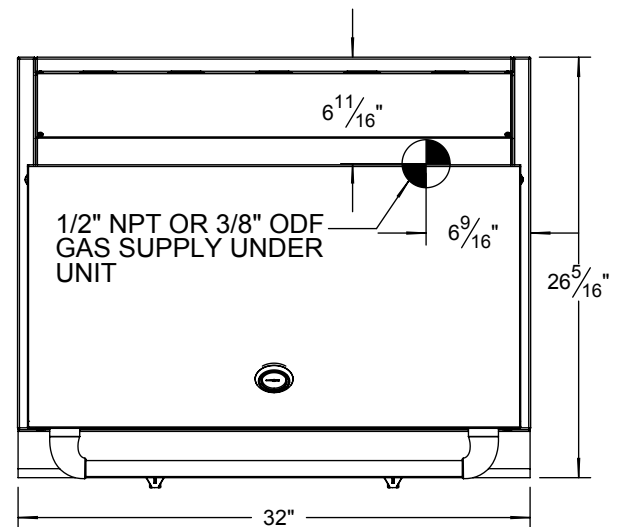
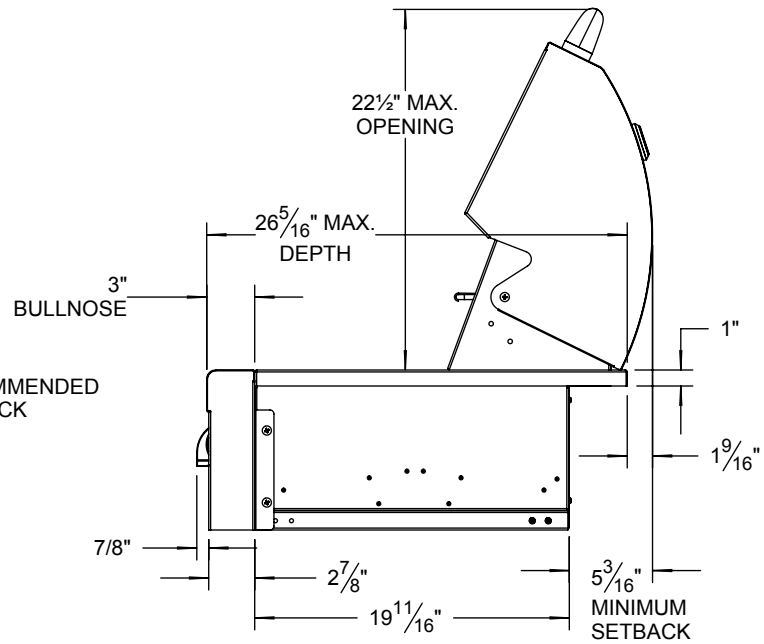
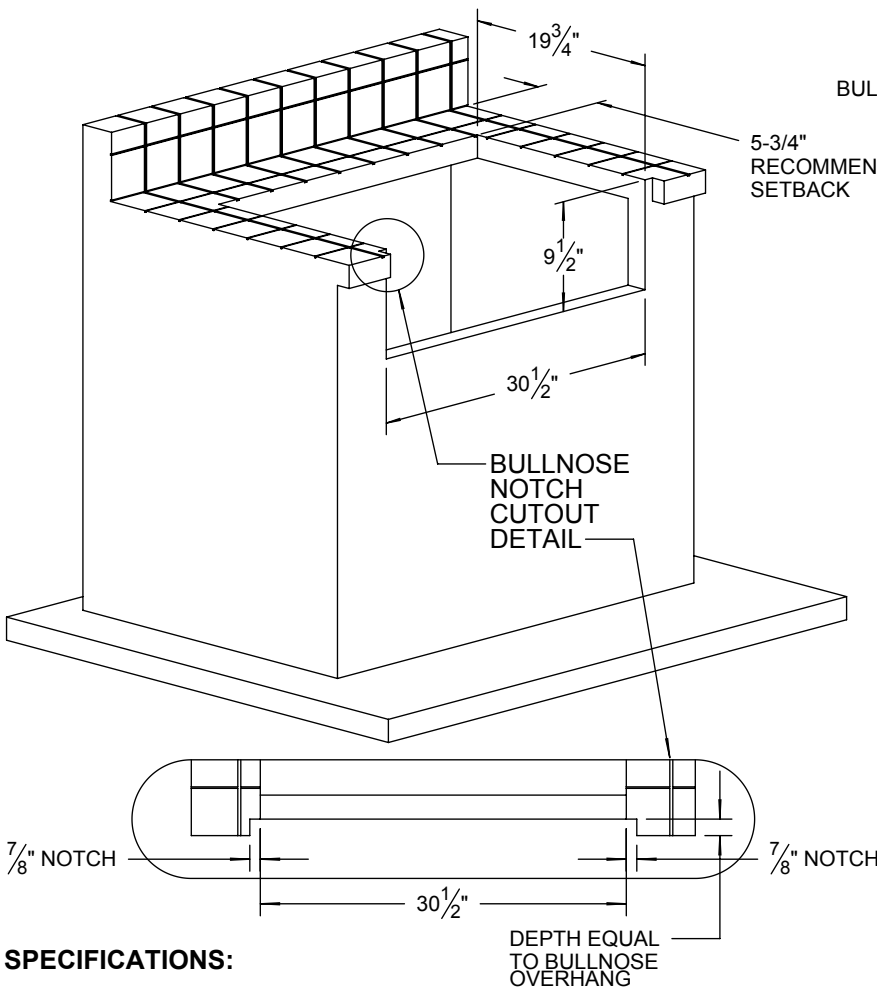


TYPICAL AAE-32 INSTALLATION



COUNTERTOP CUTOUT REQUIREMENTS



SPECIFICATIONS:

BTUH = 40,000
 FUEL NG @ 5 W.C. / LP @ 10" W.C.
 ELECTRICAL POWER: 9 VDC IGNITION SYSTEM.
 GAS CONNECTION: 1/2" NPT (NG) OR 3/8" ODF (LP)

NOTE:

COUNTER MUST HAVE THE PROPER GAS SUPPLY FOR YOUR ARTISAN BBQ.