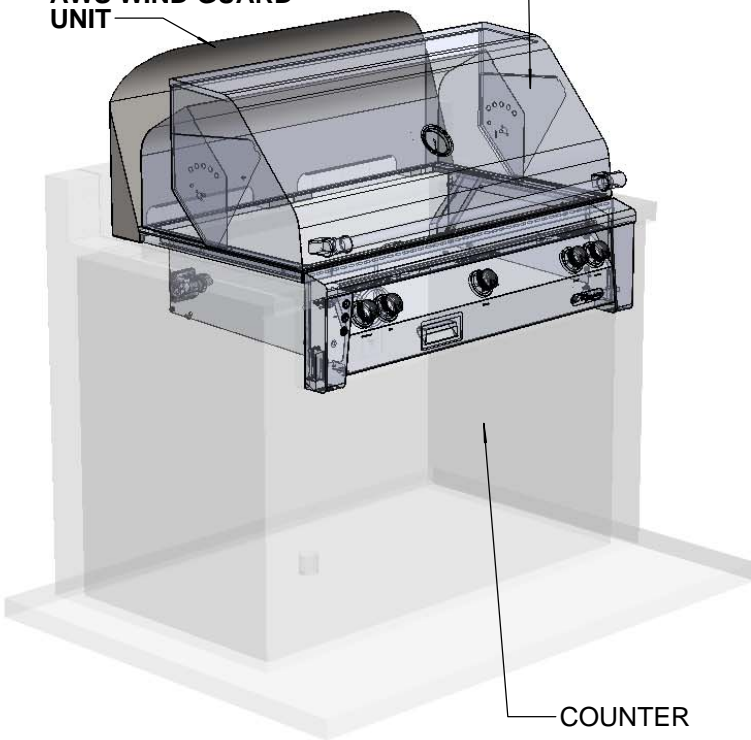


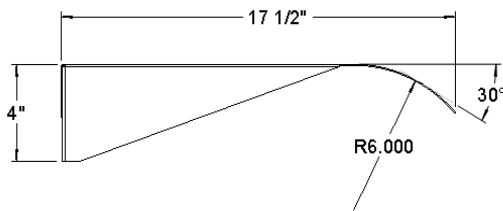
AWS WIND GUARD UNIT

ALXE BBQ'S

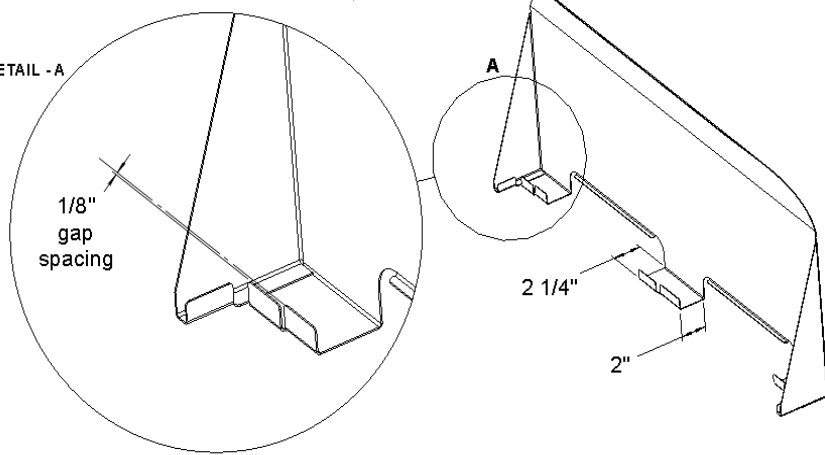


COUNTER

TYPICAL AWS- WIND GUARD INSTALLATION

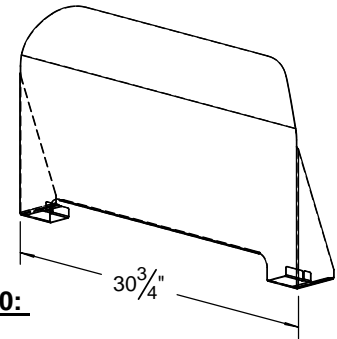


DETAIL - A

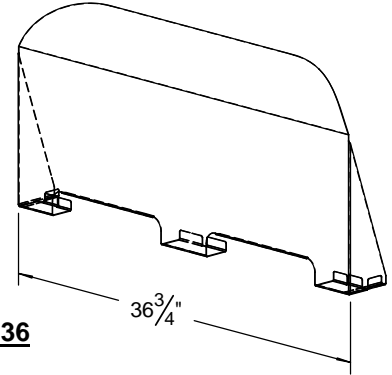


AWS WIND GUARD - AVAILABLE SIZE'S:

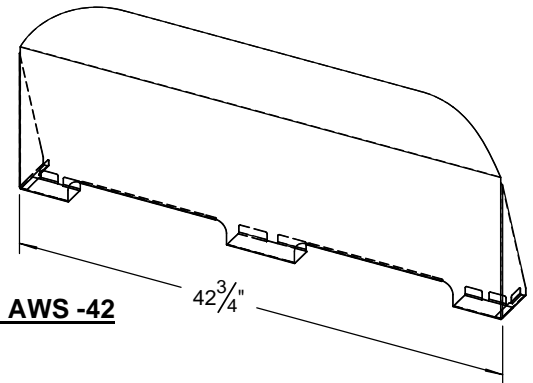
AWS -30:



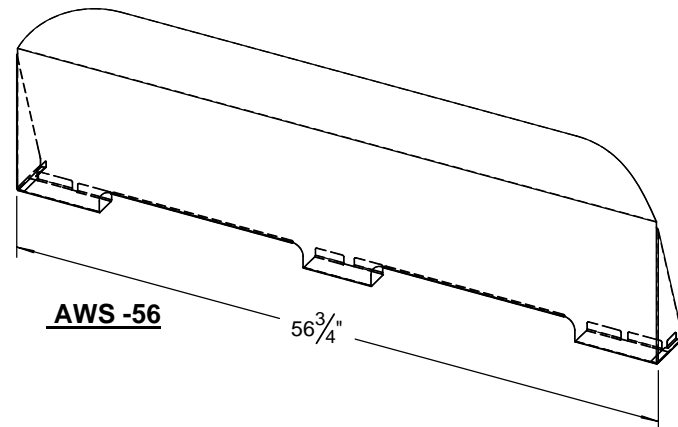
AWS -36



AWS -42



AWS -56



- The wind-guard is designed to allow cooking on your grill, with consistent flames, when high wind conditions are present.
- The wind-guard unit is installed under the bottom ring perimeter of the ALXE barbecue units. (refer to the wind shield installation sheet for installation purposes)
- The wind-guard unit is intended to be operated with the hood in either opened or closed position, and is designed for permanent or temporary installation using minimal or no tools.
- To ensure safe operation and quality results, always follow the instructions included in your barbecue unit's Care & Use Manual.

DRAWING NO.:

Alfresco

THE INFORMATION CONTAINED IN THIS DRAWING IS THE SOLE PROPERTY OF SUPERIOR EQUIPMENT SOLUTIONS INC. ANY REPRODUCTION IN PART OR AS A WHOLE WITHOUT WRITTEN PERMISSION FROM SUPERIOR EQUIPMENT SOLUTIONS, INC. IS PROHIBITED.

PROJECT TITLE:
AWS SPECIFICATION SHEET

AWS- SPECIFICATIONS SHEET

DRAWN BY: JORGE PELAYO
CREATED: Friday, July 20, 2018

DRAWING TITLE:

AWS-30, 36, 42 AND 56