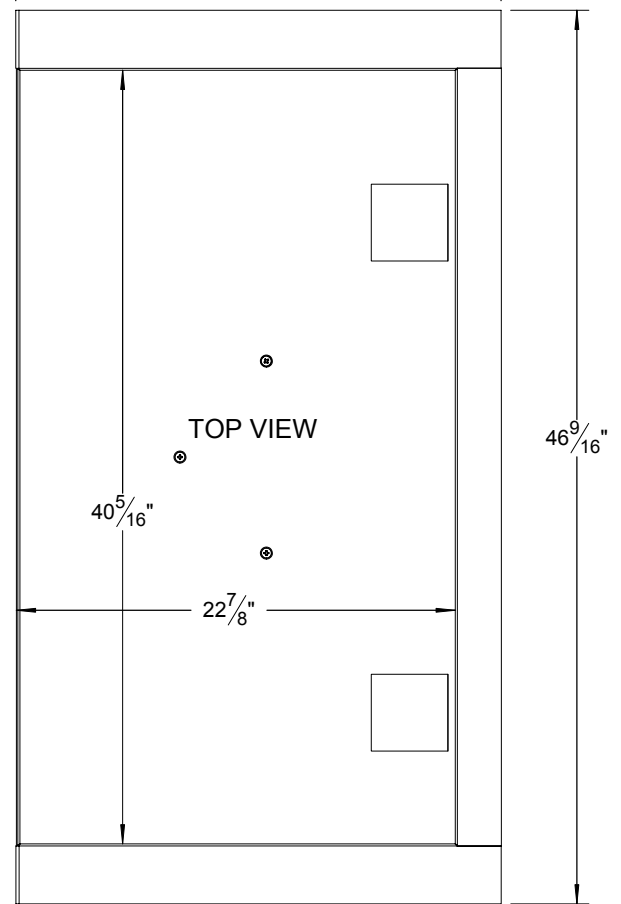
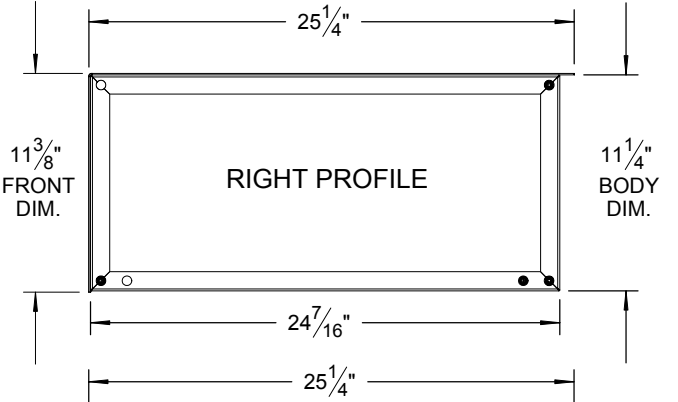
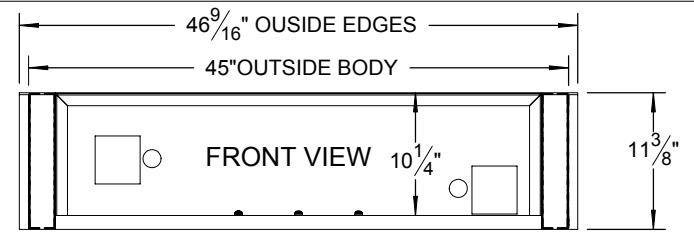
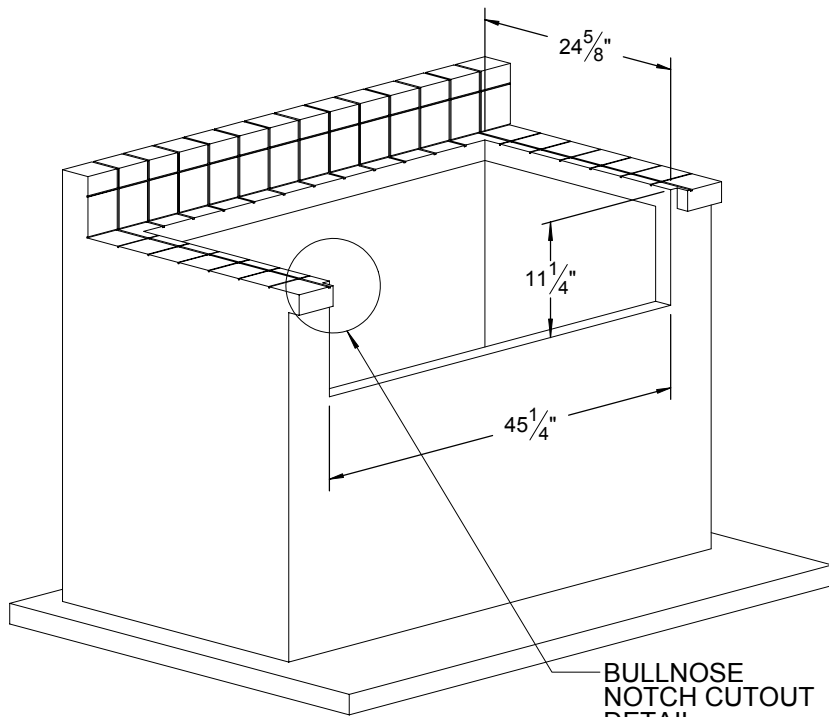


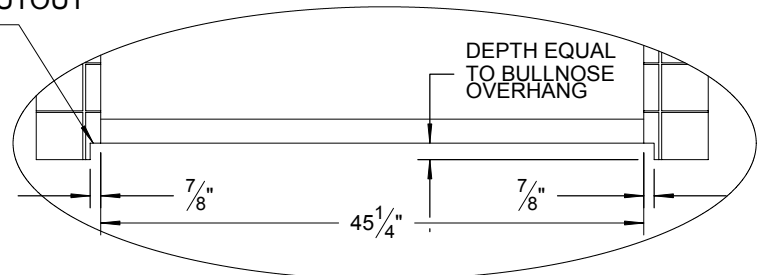
AIJ-42 TYPICAL INSTALLATION



COUNTER CUTOUT REQUIREMENTS



BULLNOSE NOTCH CUTOUT DETAIL



NOTE:

COUNTER MUST HAVE THE PROPER ELECTRICAL AND GAS SUPPLY FOR YOUR BARBEQUE MODEL. REFER TO YOUR BARBEQUE UNIT'S MANUAL AND SERIAL PLATE INFORMATION FOR INFORMATION.



SUPERIOR EQUIPMENT SOLUTIONS
7039 EAST SLAUSON AVENUE
COMMERCE, CA. 90040

THE INFORMATION CONTAINED IN THIS DRAWING IS THE SOLE PROPERTY OF SUPERIOR EQUIPMENT SOLUTIONS INC. ANY REPRODUCTION IN PART OR AS A WHOLE WITHOUT WRITTEN PERMISSION FROM SUPERIOR EQUIPMENT SOLUTIONS, INC. IS PROHIBITED.

DRAWN BY: ADRIAN CRISCI
CREATED: August 31, 2007 10:00:27 AM

PROJECT TITLE: AIJ-42

DRAWING TITLE:

AIJ-42 INSULATED JACKET SPECIFICATIONS

DRAWING NO.:
AIJ-42 SPEC SHEET