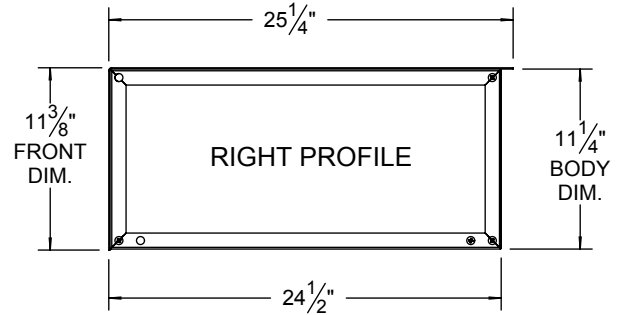
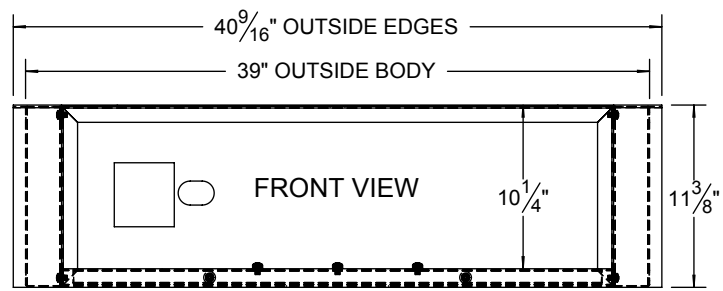
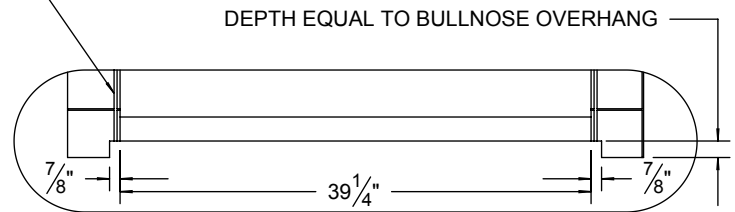
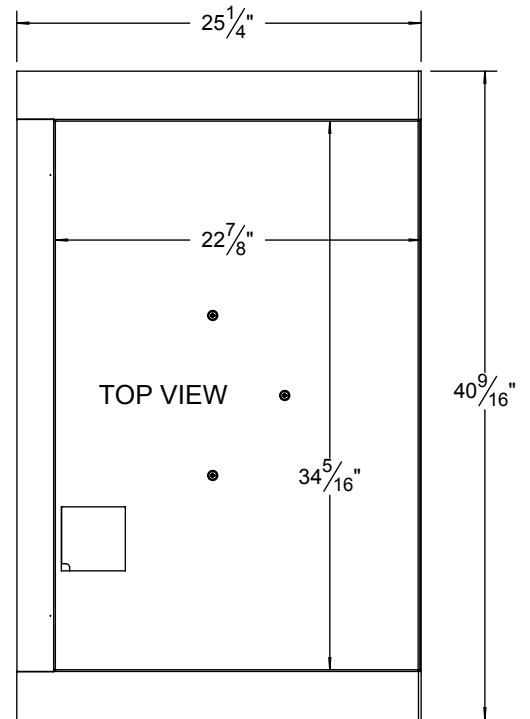
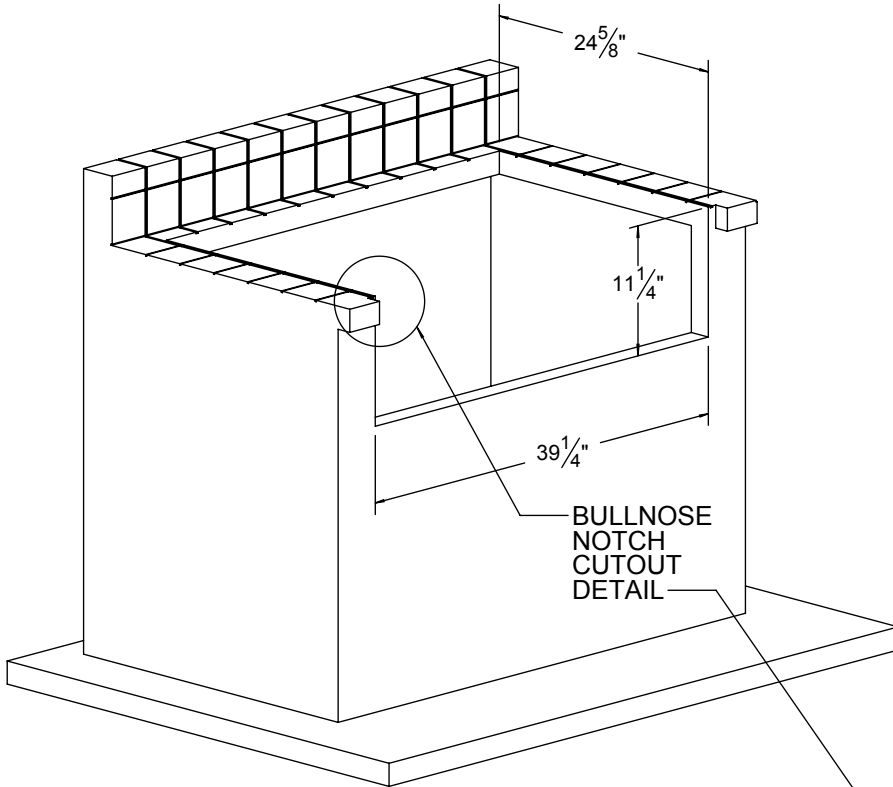


AIJ-36 TYPICAL INSTALLATION



COUNTER CUTOUT REQUIREMENTS



NOTE:

COUNTER MUST HAVE THE PROPER ELECTRICAL AND GAS SUPPLY FOR YOUR BARBEQUE MODEL. REFER TO YOUR BARBEQUE UNIT'S MANUAL AND SERIAL PLATE FOR INFORMATION.