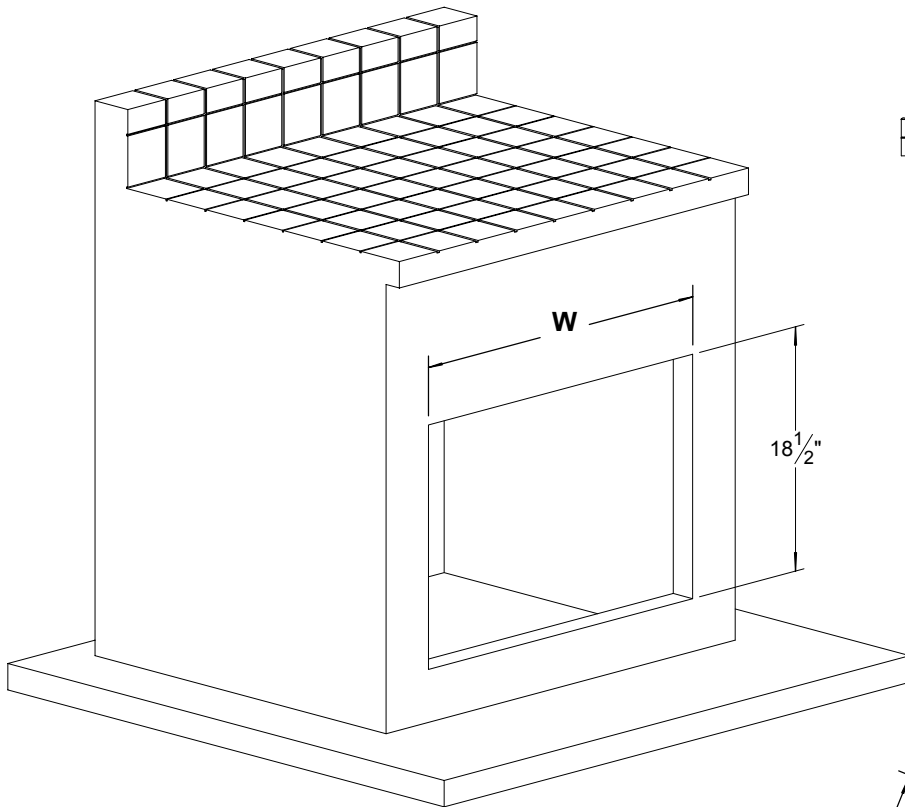


AGD - ACCESS DOOR TYPICAL INSTALLATION

COUNTER FRONT CUTOUT REQUIREMENTS



CUTOUT WIDTH DIMENSION (W):

- AGD-21 = 18 1/4" (L & R MODELS)
- AGD-30 = 27 1/4"
- AGD-42 = 39 1/4"

