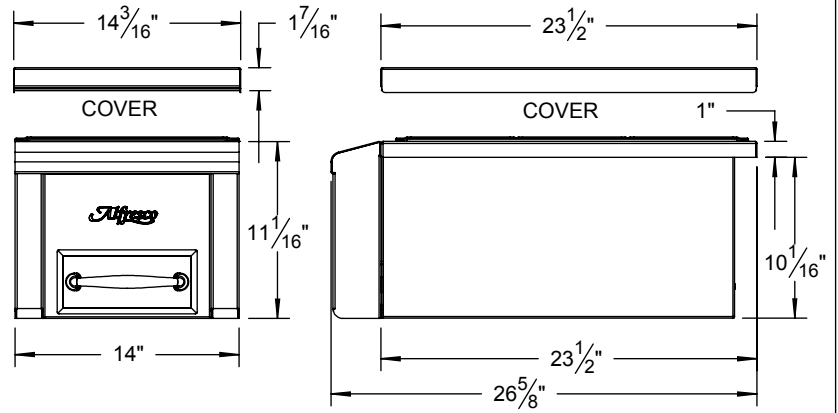
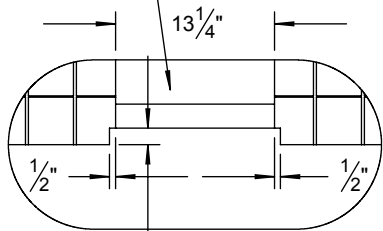
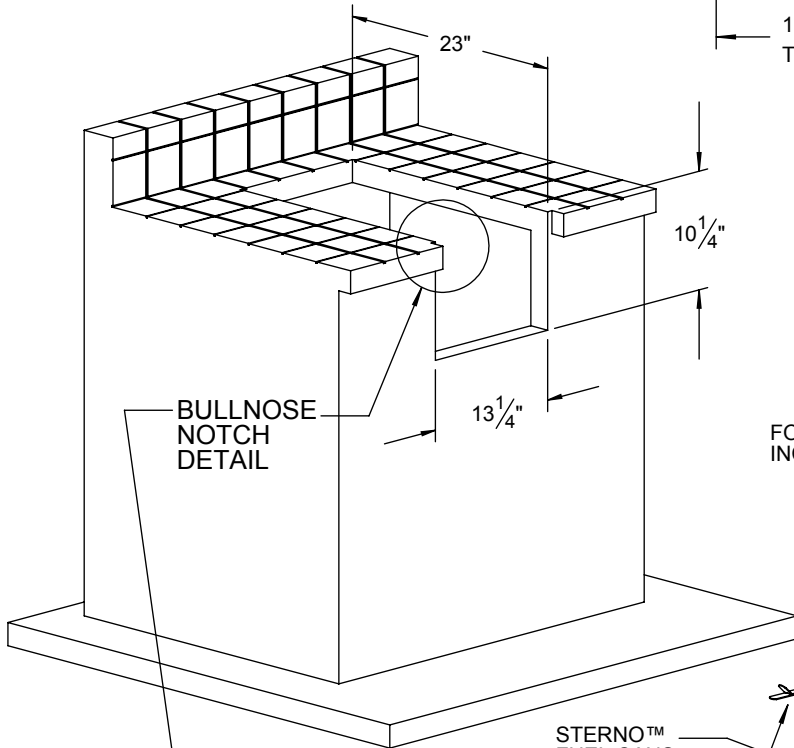


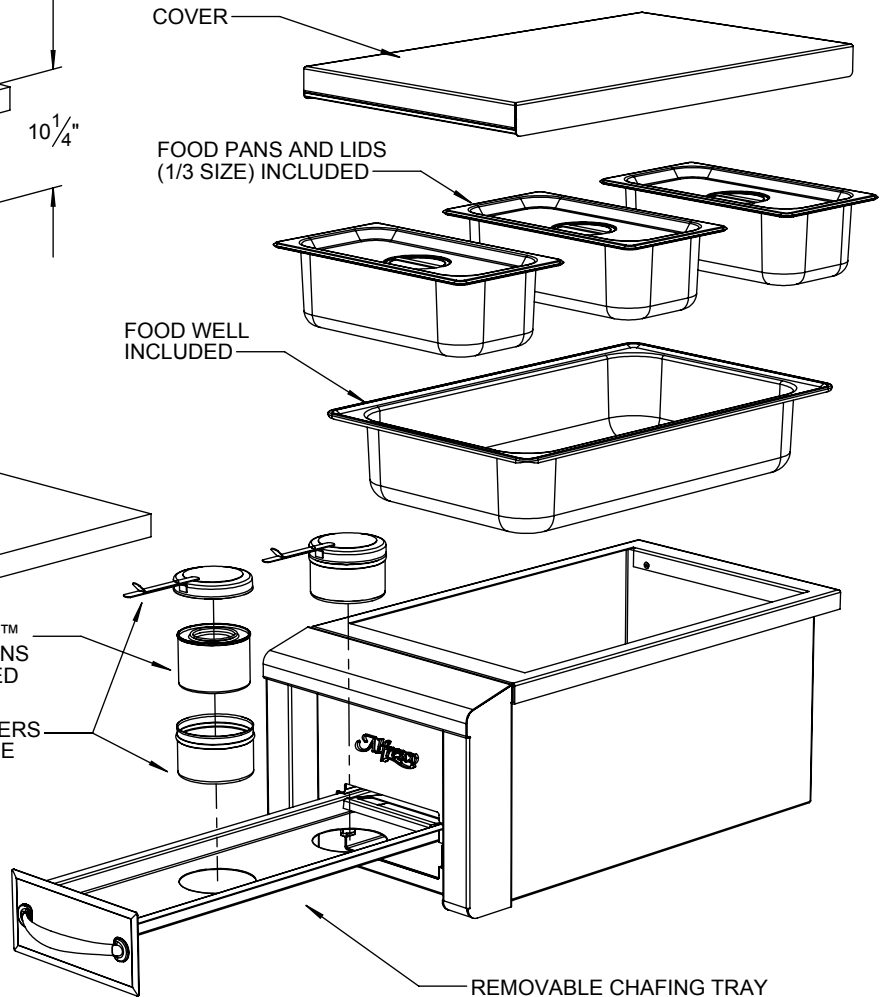
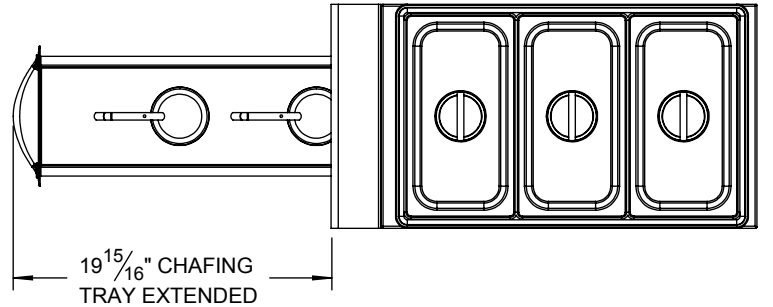
AFW TYPICAL INSTALLATION



COUNTERTOP CUTOUT REQUIREMENTS



DEPTH EQUAL TO BULLNOSE OVERHANG



THE INFORMATION CONTAINED IN THIS DRAWING IS THE SOLE PROPERTY OF SUPERIOR EQUIPMENT SOLUTIONS INC. ANY REPRODUCTION IN PART OR AS A WHOLE WITHOUT WRITTEN PERMISSION FROM SUPERIOR EQUIPMENT SOLUTIONS, INC. IS PROHIBITED.

SUPERIOR EQUIPMENT SOLUTIONS  
7039 EAST SLAUSON AVENUE  
COMMERCE, CA. 90040

**DRAWN BY:** ADRIAN CRISCI  
**CREATED:** 11/1/2007 2:56:28 PM

**PROJECT TITLE:** AFW

**DRAWING TITLE:**

**AFW - FOOD WARMER SPECIFICATIONS**

**DRAWING NO.:**  
**AFW SPEC SHEET**