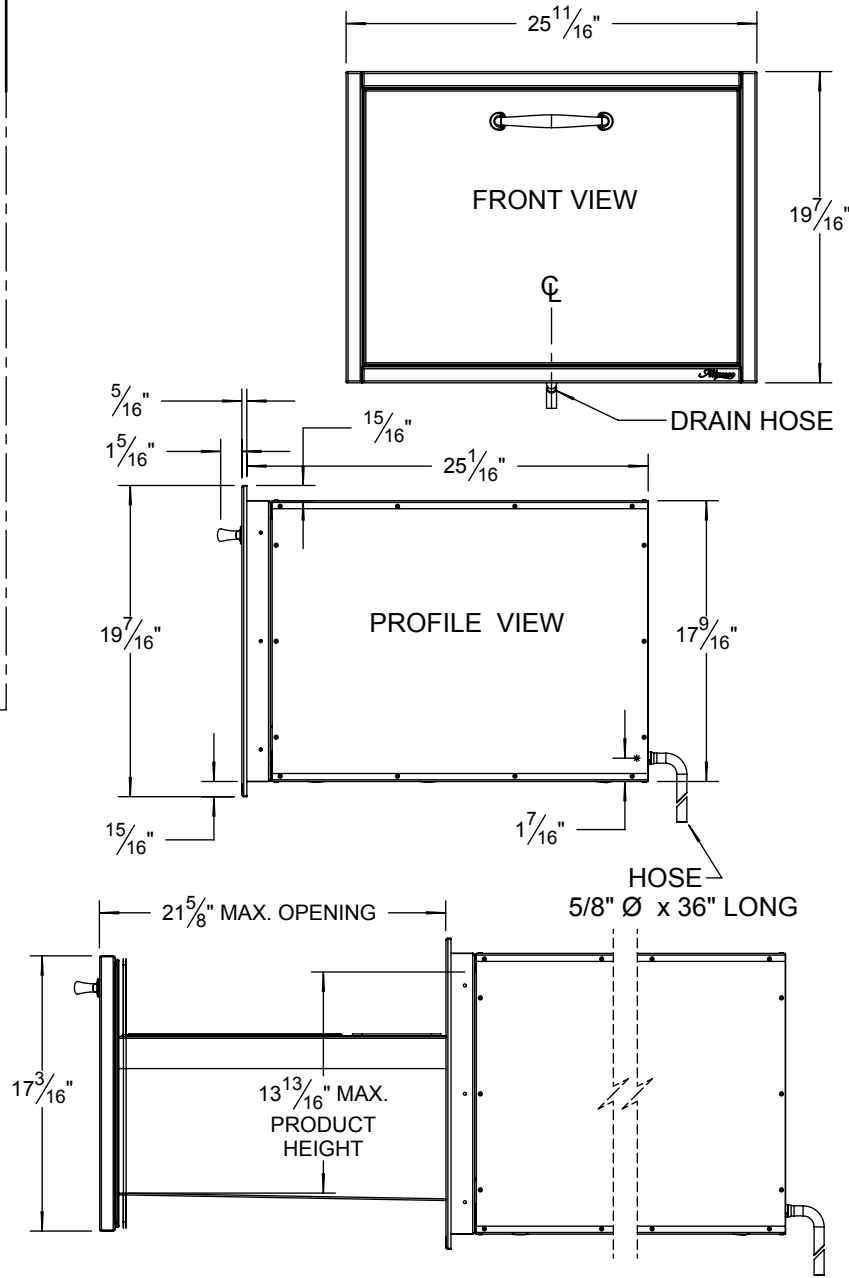
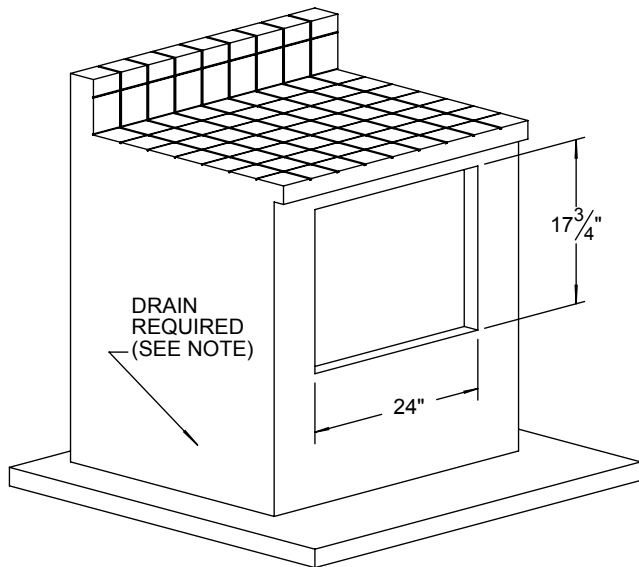


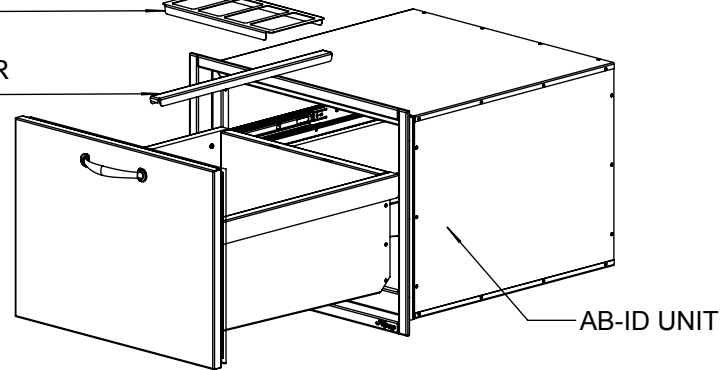
AB-ID - ICE DRAWER TYPICAL INSTALLATION

COUNTER FRONT CUTOUT REQUIREMENTS



INCLUDED ACCESSORIES

- 6" DEEP STAINLESS ICE PAN (2/3 SIZE) # 290-0130
- CONDIMENT BOWLS # 290-0081 (X4)
- CONDIMENT TRAY HOLDER # 100-2267
- BOTTLE SPACER # 510-0706
- SPACER BAR # 100-2266



NOTE:

- PROPER DRAINING IS REQUIRED FOR THIS UNIT.
- CONDENSATION AND WATER FROM MELTING ICE WILL CONTINUE TO FLOW FROM THIS UNIT INTO THE DRAIN HOSE.
- A MINIMUM DRAIN OF 1" Ø IS RECOMMENDED TO BE INSTALLED IN THE COUNTER.

THE INFORMATION CONTAINED IN THIS DRAWING IS THE SOLE PROPERTY OF SUPERIOR EQUIPMENT SOLUTIONS INC. ANY REPRODUCTION IN PART OR AS A WHOLE WITHOUT WRITTEN PERMISSION FROM SUPERIOR EQUIPMENT SOLUTIONS, INC. IS PROHIBITED.

DRAWN BY: ADRIAN CRISCI
CREATED: 7/23/2012 8:28:43 AM

PROJECT TITLE:
AD-ID

DRAWING TITLE:
AB-ID - ICE DRAWER SPECIFICATION SHEET

DRAWING NO.: AB-ID SPEC SHEET
SHEET 1 OF 1