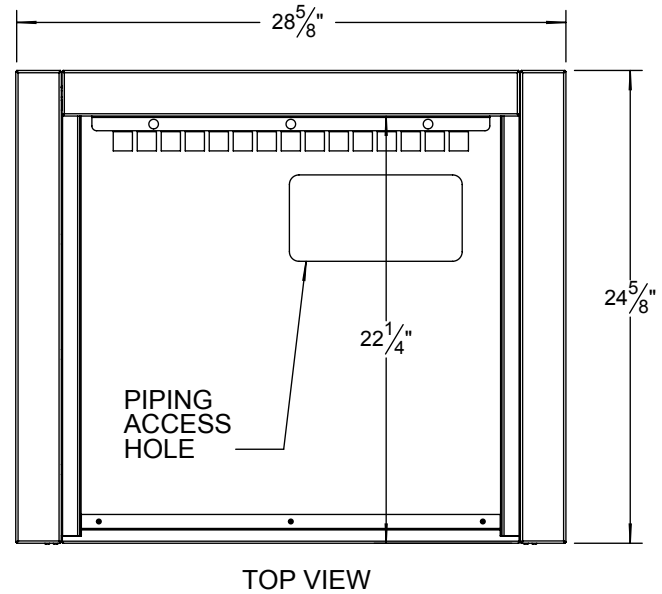
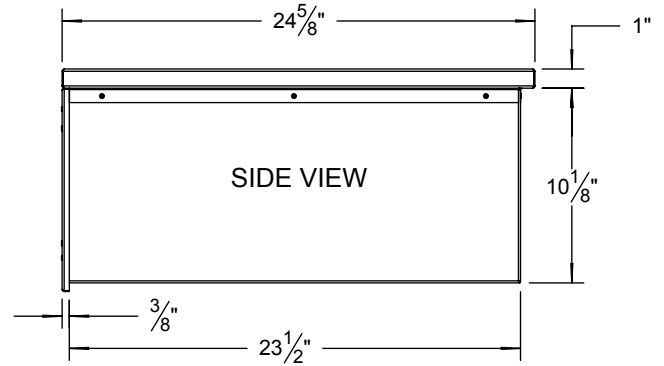
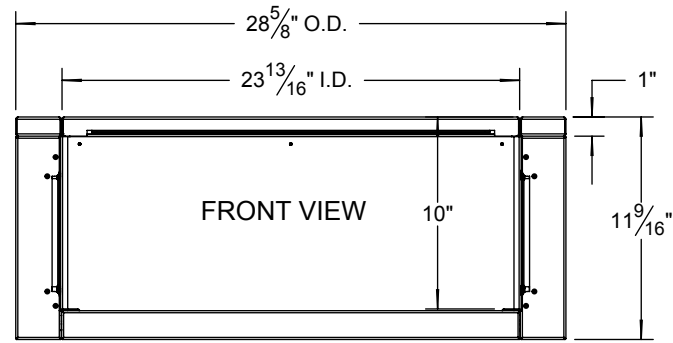
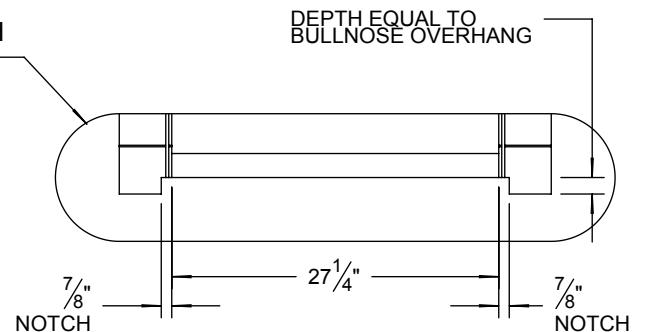
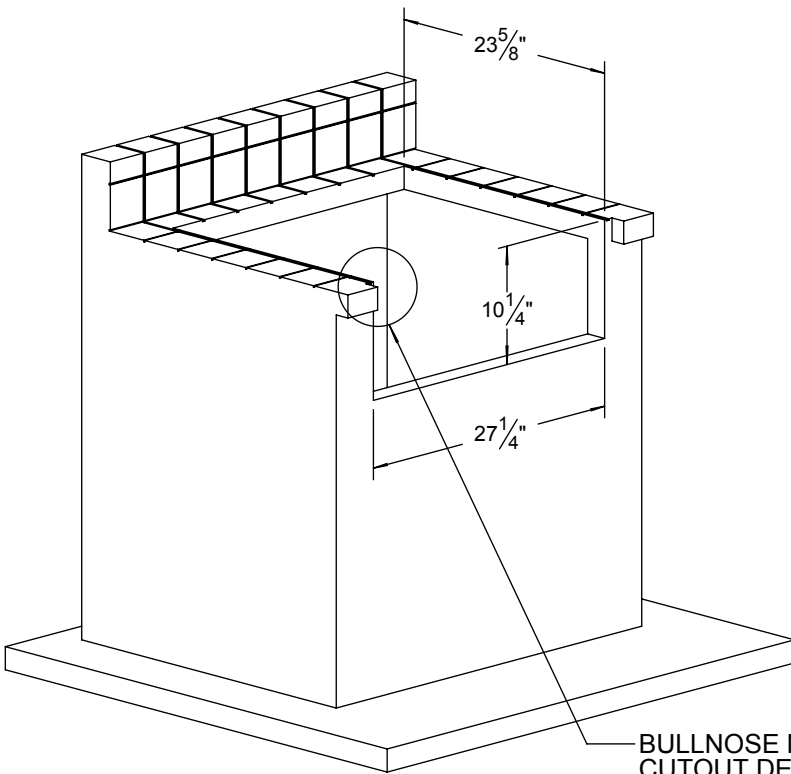


ARTIJ-26 TYPICAL INSTALLATION



COUNTER CUTOUT REQUIREMENTS



NOTE:

COUNTER MUST HAVE THE PROPER GAS SUPPLY FOR YOUR ARTISAN BBQ MODEL. REFER TO YOUR UNIT'S MANUAL OR SERIAL PLATE INFORMATION.