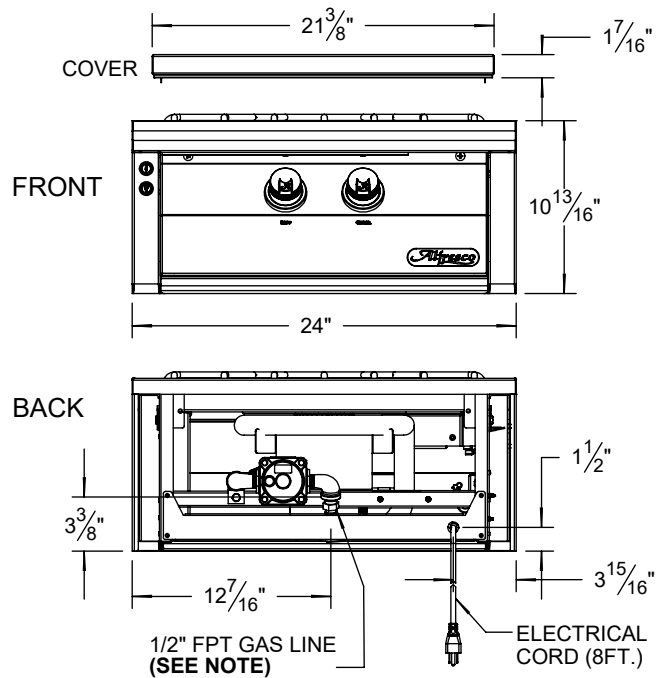
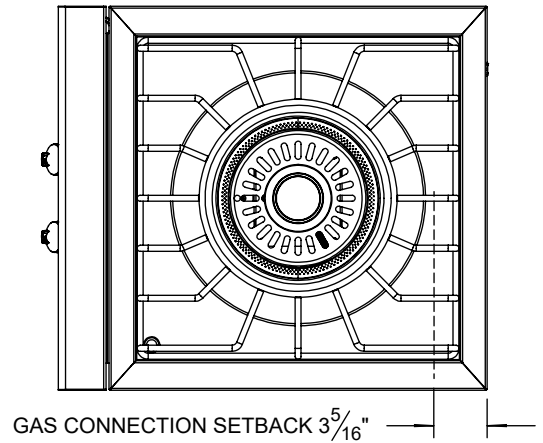
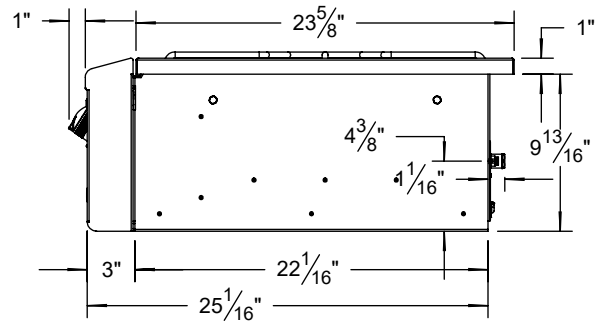
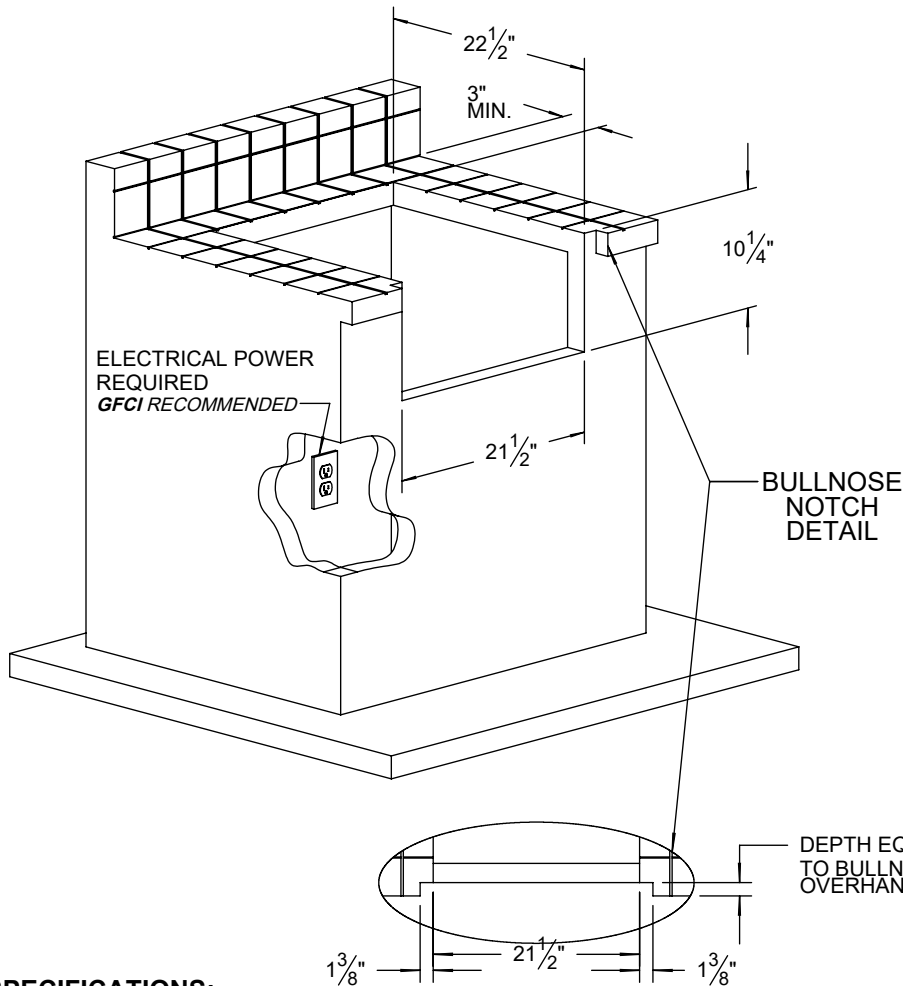


AXEVP TYPICAL INSTALLATION



COUNTERTOP CUTOUT REQUIREMENTS



LP GAS SETUP:

NOTE:
STANDARD UNIT HAS A NATURAL GAS (NG) CONNECTION WITH 1/2" NPT FITTING.
IF LIQUID PROPANE (LP) OPTION IS ORDERED THE UNIT IS SUPPLIED WITH A REGULATOR, HOSE AND ADAPTER FITTING AS SHOWN.

SPECIFICATIONS:

BTUH = 65,000
 FUEL = NG @ 5' W.C. OR LP @ 10" W.C.
 ELECTRICAL POWER = 115 VAC - 50/60 Hz. - 10 mA
 GAS CONNECTION = 1/2" NPT (NG) OR 3/8" ODF (LP)

Alfresco
 SUPERIOR EQUIPMENT SOLUTIONS
 7039 EAST SLAUSON AVENUE
 COMMERCE, CA. 90040

THE INFORMATION CONTAINED IN THIS DRAWING IS THE SOLE PROPERTY OF SUPERIOR EQUIPMENT SOLUTIONS INC. ANY REPRODUCTION IN PART OR AS A WHOLE WITHOUT WRITTEN PERMISSION FROM SUPERIOR EQUIPMENT SOLUTIONS, INC. IS PROHIBITED.
DRAWN BY: ADRIAN CRISCI
CREATED: 04/30/2018 11:03 AM

PROJECT TITLE:
AXEVP

DRAWING TITLE:
AXEVP SPECIFICATION SHEET (SN° 18-00000 & FORWARD)

DRAWING NO.: **AXEVP (REV-A) - SPEC SHEET**
 SHEET 1 OF 1