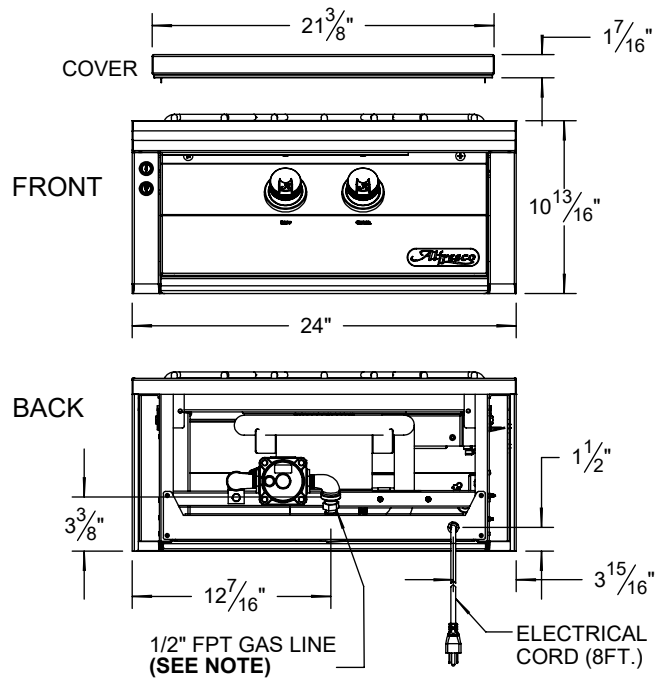
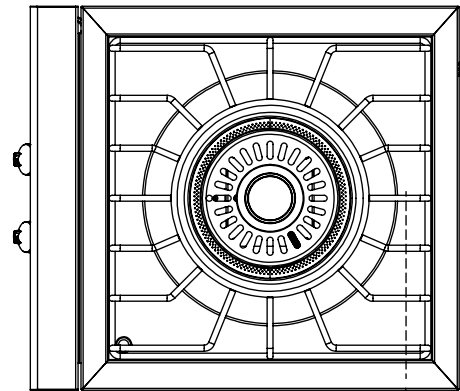
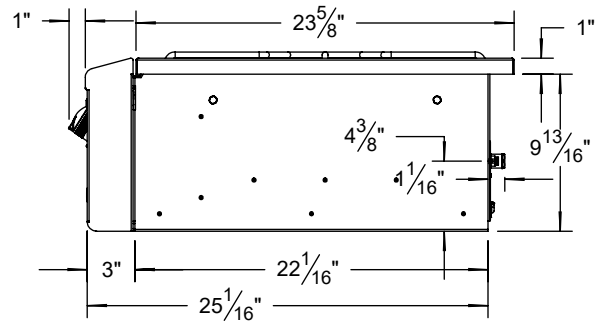
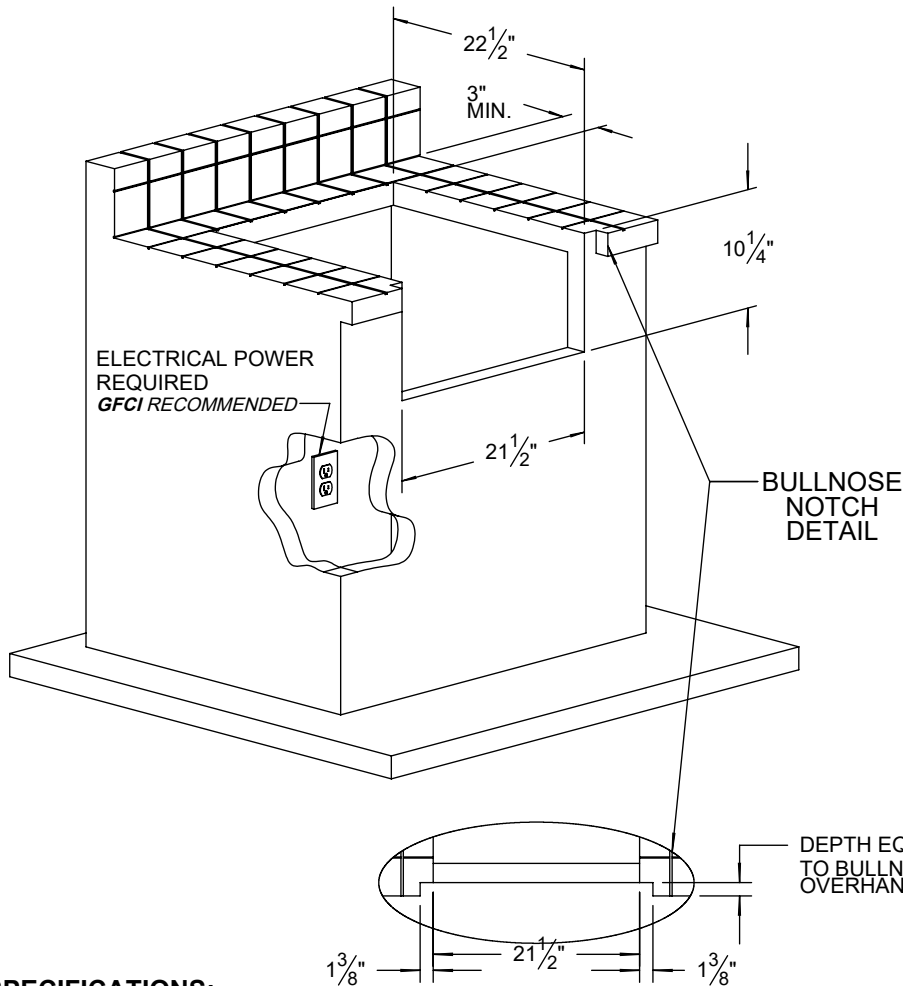


**AXEVP TYPICAL INSTALLATION**

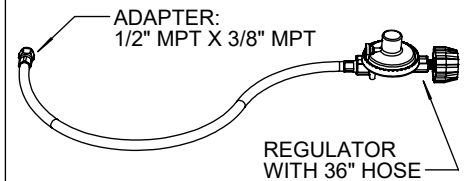


**COUNTERTOP CUTOUT REQUIREMENTS**



GAS CONNECTION SETBACK 3 5/16"

**LP GAS SETUP:**



**NOTE:**  
STANDARD UNIT HAS A NATURAL GAS (NG) CONNECTION WITH 1/2" NPT FITTING.  
IF LIQUID PROPANE (LP) OPTION IS ORDERED THE UNIT IS SUPPLIED WITH A REGULATOR, HOSE AND ADAPTER FITTING AS SHOWN.

**SPECIFICATIONS:**

BTUH = 56,900  
FUEL = NG @ 5" W.C. OR LP @ 10" W.C.  
ELECTRICAL POWER = 115 VAC - 50/60 Hz. - 10 mA  
GAS CONNECTION = 1/2" NPT (NG) OR 3/8" ODF (LP)



SUPERIOR EQUIPMENT SOLUTIONS  
7039 EAST SLAUSON AVENUE  
COMMERCE, CA. 90040

THE INFORMATION CONTAINED IN THIS DRAWING IS THE SOLE PROPERTY OF SUPERIOR EQUIPMENT SOLUTIONS INC. ANY REPRODUCTION IN PART OR AS A WHOLE WITHOUT WRITTEN PERMISSION FROM SUPERIOR EQUIPMENT SOLUTIONS, INC. IS PROHIBITED.

**DRAWN BY: ADRIAN CRISCI**  
**CREATED: 04/30/2018 11:03 AM**

PROJECT TITLE:  
**AXEVP**

DRAWING TITLE:  
**AXEVP SPECIFICATION SHEET (SN° 18-00000 & FORWARD)**

DRAWING NO.: **AXEVP (REV-A) - SPEC SHEET**  
SHEET 1 OF 1