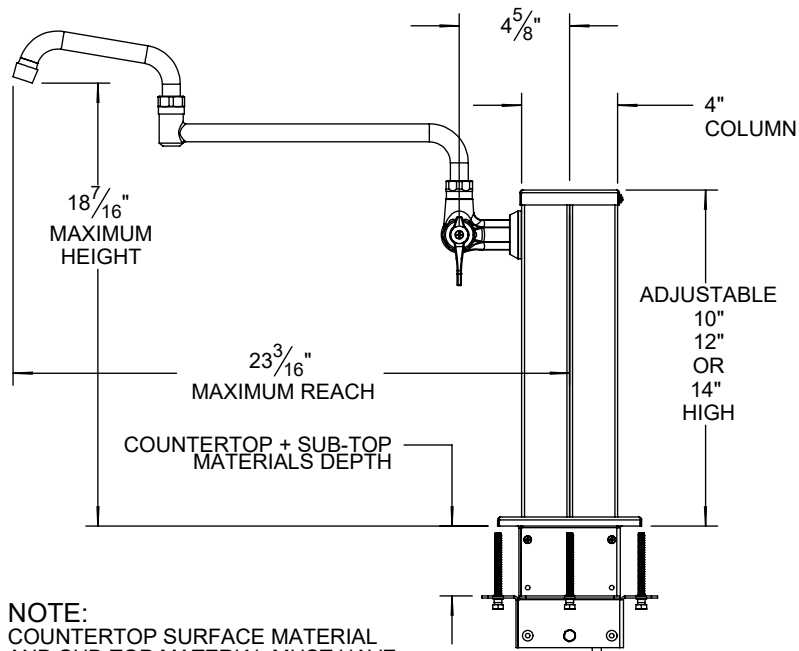
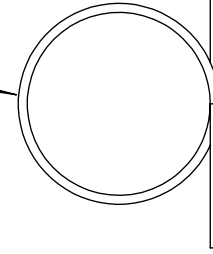


AXEVP-T10 TYPICAL INSTALLATION

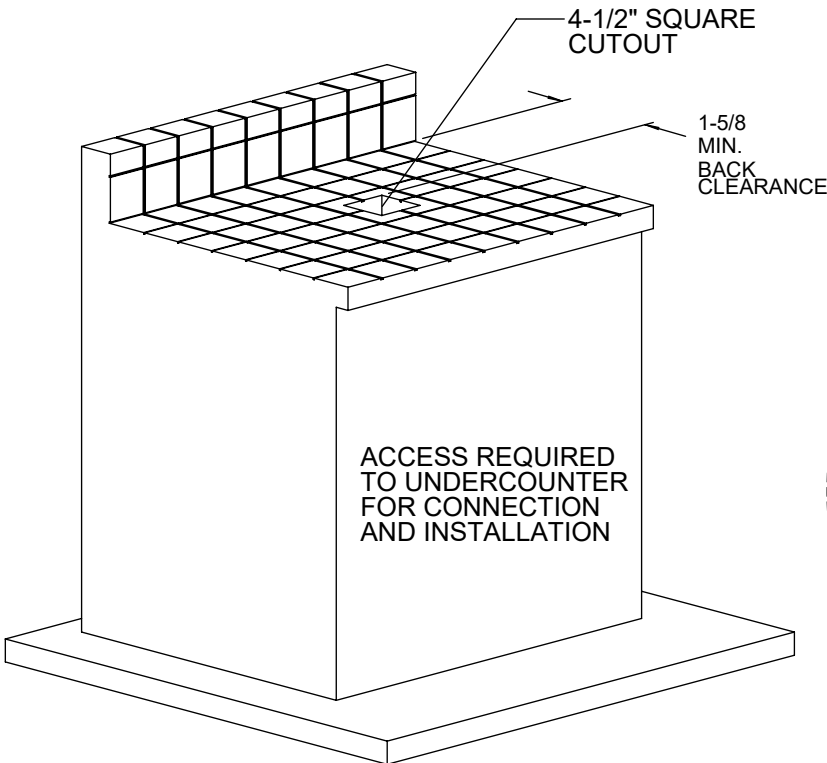


NOTE:
COUNTERTOP SURFACE MATERIAL AND SUB-TOP MATERIAL MUST HAVE A MINIMUM OF 1/2" AND A MAXIMUM OF 2-7/8" TOTAL THICKNESS.

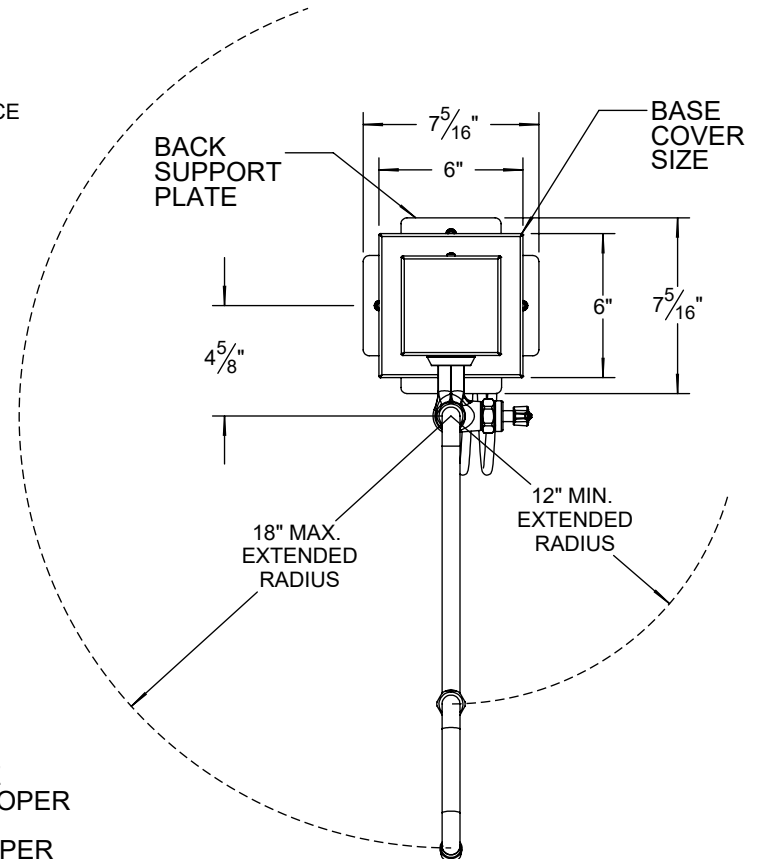
72" OF 3/8" Ø SOFT DRAWN COPPER SUPPLIED WITH UNIT



COUNTERTOP CUTOUT REQUIREMENTS



ACCESS REQUIRED TO UNDERCOUNTER FOR CONNECTION AND INSTALLATION



NOTE:
THE AXEVP-T10 POT FILLER TOWER REQUIRES A WATER LINE THAT MUST BE SUPPLIED UNDER THE COUNTERTOP FOR PROPER OPERATION.
THE UNIT IS SUPPLIED WITH 6 FT OF 3/8" Ø SOFT DRAWN COPPER FOR CONNECTION TO A FAUCET COMPRESSION VALVE BY CUSTOMER.