

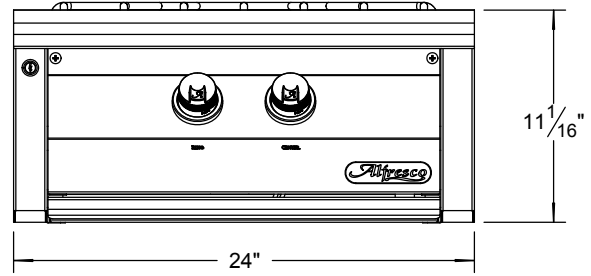
AXEVP UNIT

**AXEVP TYPICAL INSTALLATION**

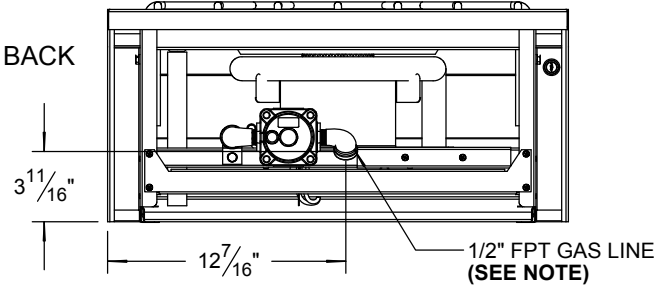


COVER

FRONT

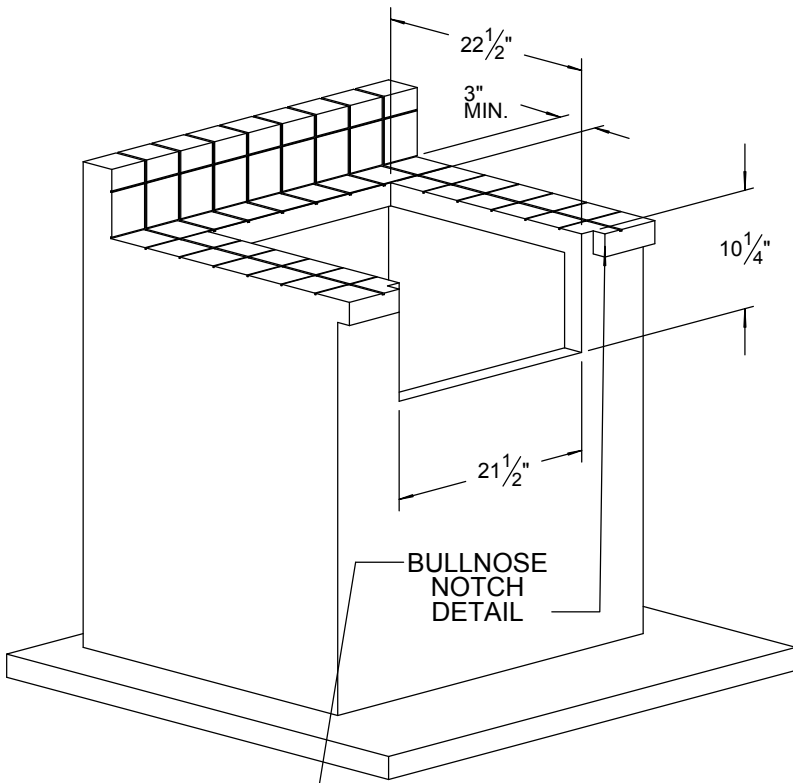


BACK

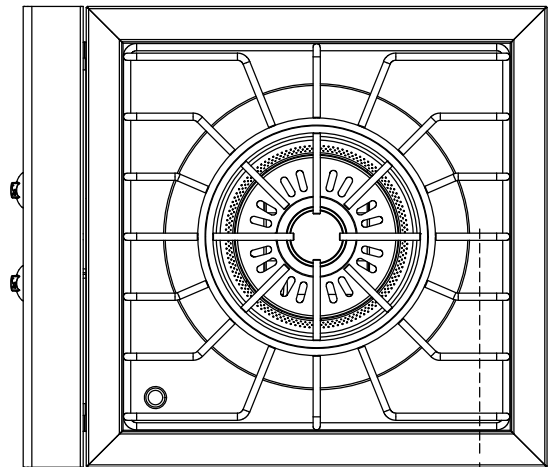
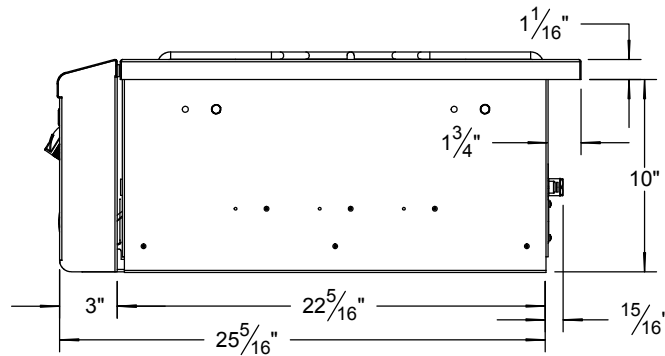


1/2" FPT GAS LINE (SEE NOTE)

**COUNTERTOP CUTOUT REQUIREMENTS**

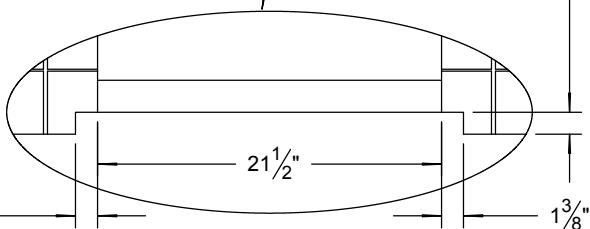


BULLNOSE NOTCH DETAIL



3 9/16" GAS LINE CONNECTION SETBACK LOCATION

DEPTH EQUAL TO BULLNOSE OVERHANG



**NOTE:**

- A GAS LINE IS REQUIRED INSIDE THE COUNTER FOR OPERATION.
- IT IS RECOMMENDED THAT A FLEXIBLE GAS LINE IS USED TO EASE THE INSTALLATION IN NATURAL GAS (NG) SETUPS. THE CONNECTION IS 1/2" FPT.
- IF LIQUID PROPANE SETUP IS ORDERED, THE UNIT IS SUPPLIED WITH A REGULATOR, A 36" HOSE AND A 1/2" MPT x 3/8" MPT ADAPTER.

**Alfresco**

SUPERIOR EQUIPMENT SOLUTIONS  
7039 EAST SLAUSON AVENUE  
COMMERCE, CA. 90040

THE INFORMATION CONTAINED IN THIS DRAWING IS THE SOLE PROPERTY OF SUPERIOR EQUIPMENT SOLUTIONS INC. ANY REPRODUCTION IN PART OR AS A WHOLE WITHOUT WRITTEN PERMISSION FROM SUPERIOR EQUIPMENT SOLUTIONS, INC. IS PROHIBITED.

**DRAWN BY: JORGE PELAYO**  
**CREATED: 09/10/2015**

PROJECT TITLE:

**AXEVP**

DRAWING TITLE:

**AXEVP SPECIFICATION SHEET**

DRAWING NO.:

**AXEVP - SPEC SHEET**