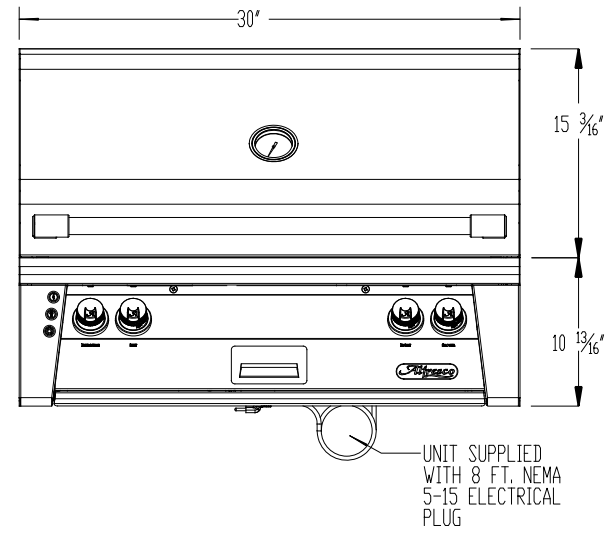
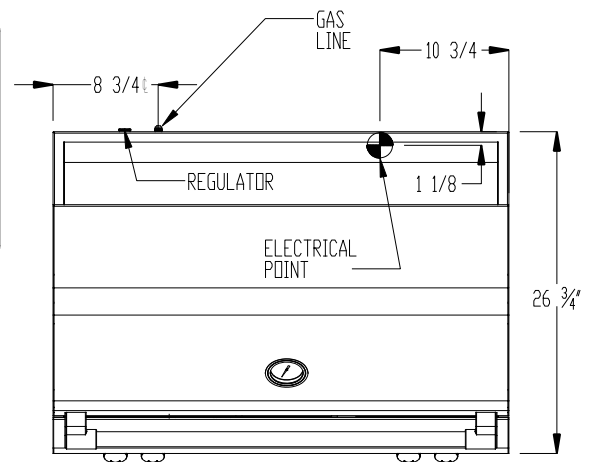
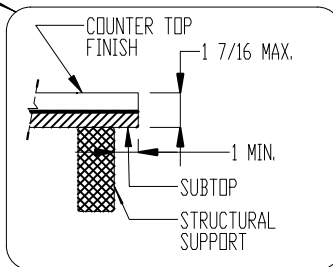
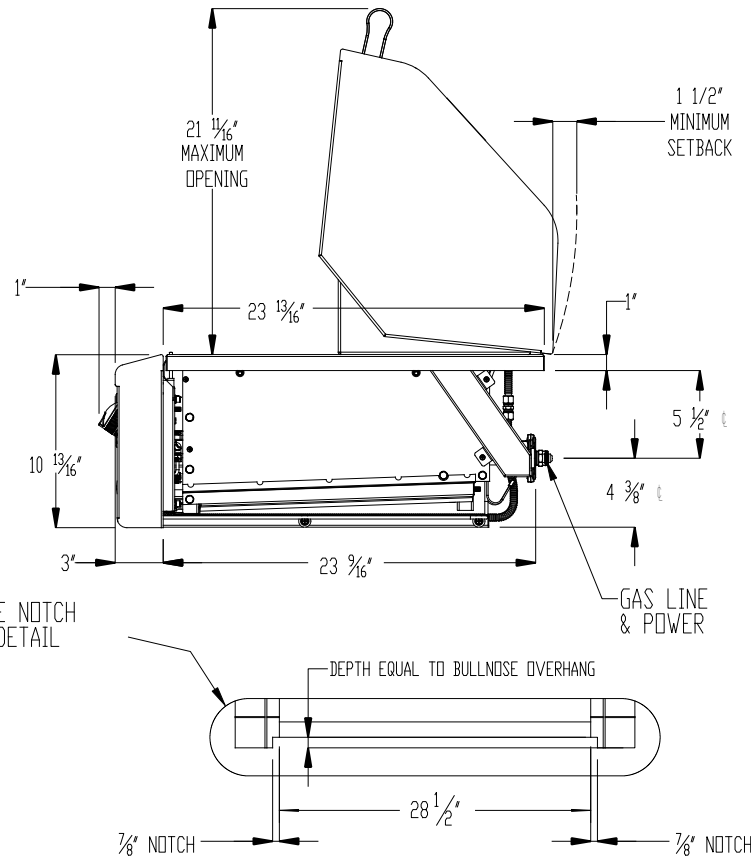
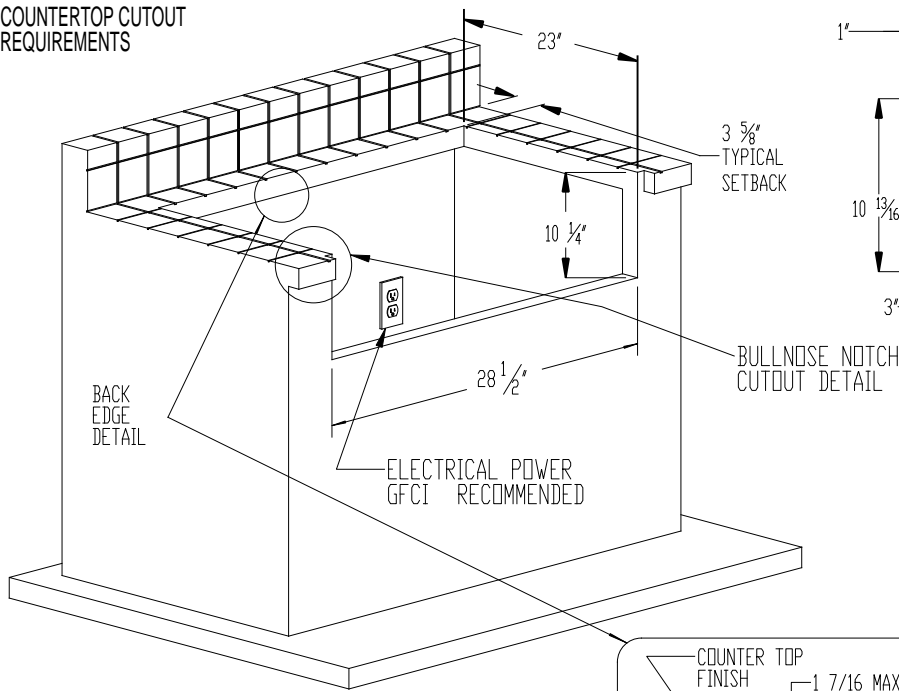


TYPICAL ALXE-30 / 30SZ INSTALLATION



COUNTERTOP CUTOUT REQUIREMENTS



NOTE:

- ° CUTOUT SHOWN FOR NON - COMBUSTIBLE CONSTRUCTION ONLY. OTHERWISE USE OF AIJ-42 INSULATING JACKET IS REQUIRED.
- ° COUNTER MUST HAVE PROPER GAS AND POWER SUPPLIES FOR YOUR ALFRESCO BBQ.

SPECIFICATIONS:

BTUH = 77,000  
 FUEL = NG @ 5 W.C. OR LP @ W.C.  
 ELECTRICAL POWER = 115 VAC / 1.44 AMPS / 60 HZ.  
 GAS CONNECTION = 1/2" NPT (NG) OR 3/8" ODF (LP)



SUPERIOR EQUIPMENT SOLUTIONS  
 7039 EAST SLAUSON AVENUE  
 COMMERCE, CA. 90040

THE INFORMATION CONTAINED IN THIS DRAWING IS THE SOLE PROPERTY OF SUPERIOR EQUIPMENT SOLUTIONS, INC. ANY REPRODUCTION IN PART OR AS A WHOLE WITHOUT WRITTEN PERMISSION FROM SUPERIOR EQUIPMENT SOLUTIONS, INC. IS PROHIBITED.

DRAWN BY: Jorge Pelayo  
 CREATED: Tuesday, June 23, 2015

PROJECT TITLE:  
 ALFRESCO GRILLS

DRAWING TITLE:  
 ALXE-30 / 30 SZ SPECIFICATIONS

DRAWING NO.: ALXE-30 SPEC SHEET  
 SHEET 1 OF 1