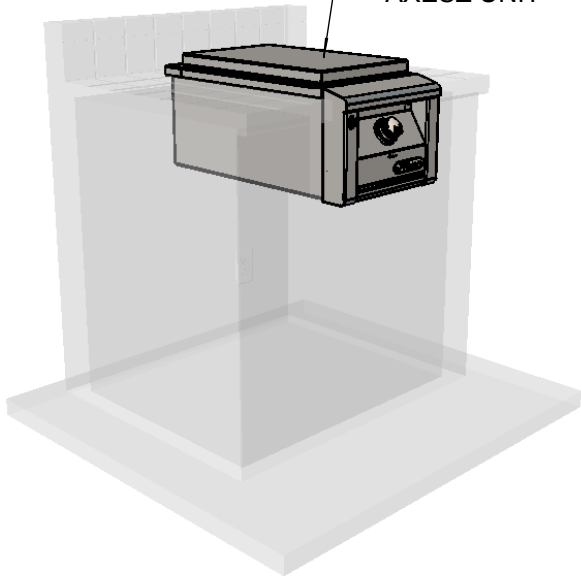
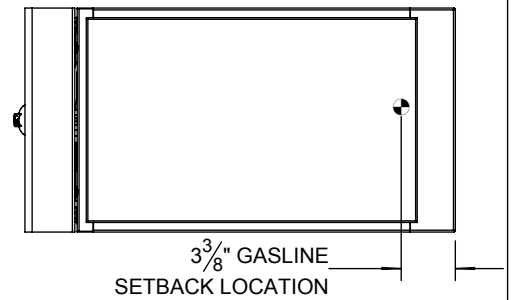
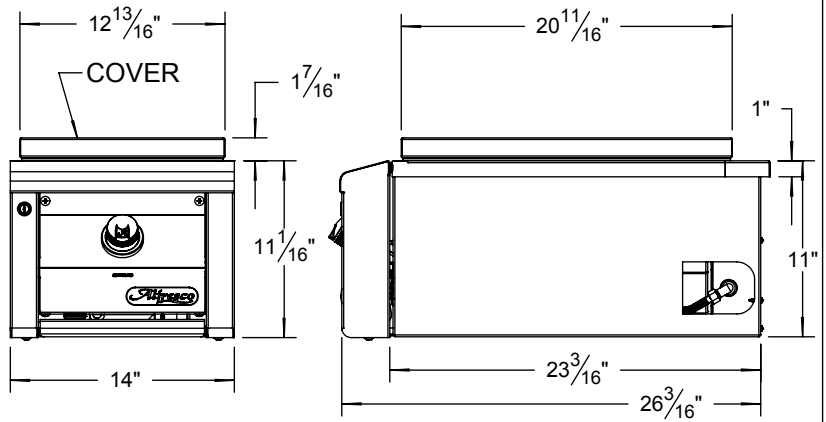


AXESZ UNIT



AXESZ TYPICAL INSTALLATION

AXESZ - SEAR-ZONE™ SIDE BURNER

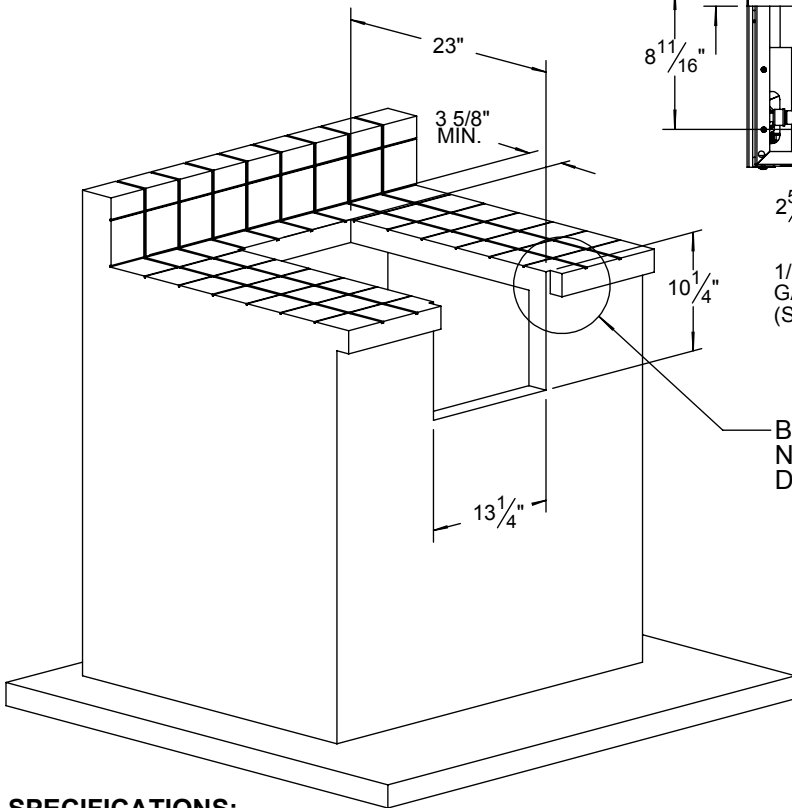
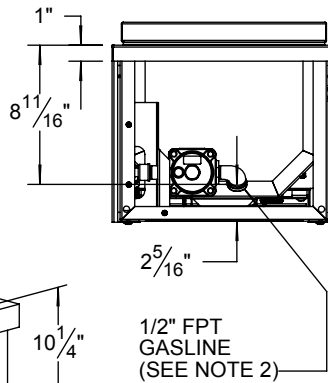


COUNTERTOP CUTOUT REQUIREMENTS

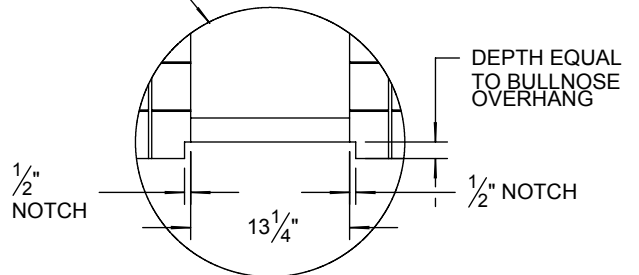
NOTE 1:
 A GAS LINE IS REQUIRED INSIDE THE COUNTER FOR OPERATION.

IT IS RECOMMENDED THAT A FLEXIBLE GAS LINE IS USED TO EASE INSTALLATION IN NATURAL GAS (NG) SETUPS. (SEE NOTE 2 IN REGARDS TO LP SETUPS)

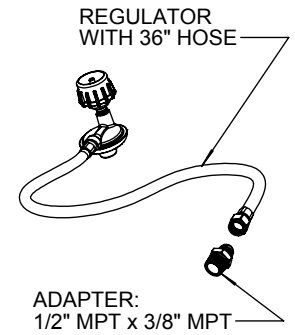
BACK VIEW



BULLNOSE NOTCH DETAIL



LP GAS SETUP:



NOTE 2:
 STANDARD UNIT HAS A NATURAL GAS (NG) CONNECTION WITH 1/2" FPT FITTING.
 IF LIQUID PROPANE (LP) OPTION IS ORDERED, THE UNIT IS SUPPLIED WITH A REGULATOR, HOSE AND ADAPTER FITTING AS SHOWN.

SPECIFICATIONS:

BTUH = 28,200
 FUEL - NG @ 5 W.C. OR LP @ 10 W.C.
 ELECTRICAL POWER - 9 VDC BATTERY
 GAS CONNECTION = 1/2" NPT (NG) OR 3/8" ODF (LP)



THE INFORMATION CONTAINED IN THIS DRAWING IS THE SOLE PROPERTY OF SUPERIOR EQUIPMENT SOLUTIONS INC. ANY REPRODUCTION IN PART OR AS A WHOLE WITHOUT WRITTEN PERMISSION FROM SUPERIOR EQUIPMENT SOLUTIONS, INC. IS PROHIBITED.

DRAWN BY: ADRIAN CRISCI
CREATED: 08/19/2015

PROJECT TITLE: AXESZ

DRAWING TITLE:

AXESZ - SIDE BURNER SPECIFICATIONS

DRAWING NO.:

AXESZ - SPEC SHEET