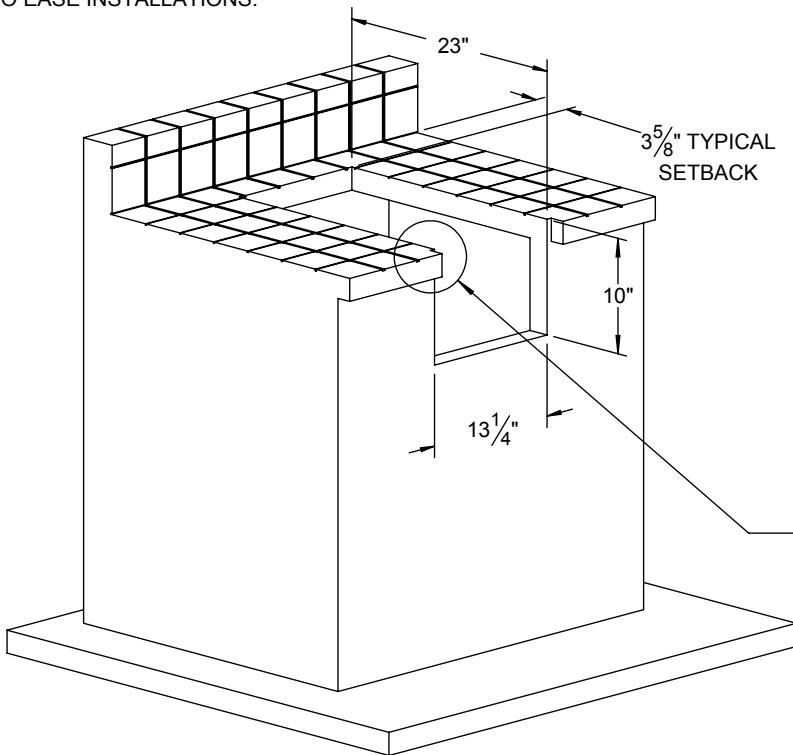


COUNTERTOP CUTOUT REQUIREMENTS

NOTE: A GAS LINE IS REQUIRED INSIDE THE COUNTER FOR OPERATION FOR LP-GAS SETUP SEE NOTE AT RIGHT. IT IS RECOMMENDED THAT A FLEXIBLE HOSE IS USED FOR NG-GAS SETUPS TO EASE INSTALLATIONS.



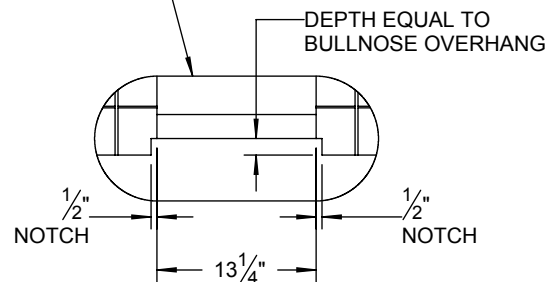
LP GAS SETUP:

REGULATOR WITH 36" HOSE

ADAPTER: 1/2" MPT X 3/8" MPT

NOTE: STANDARD UNIT HAS A NATURAL GAS (NG) CONNECTION WITH 1/2" FPT FITTING.

IF LIQUID PROPANE (LP) OPTION IS ORDERED THE UNIT IS SUPPLIED WITH A REGULATOR, HOSE AND ADAPTER FITTING AS SHOWN.



SPECIFICATIONS:

BTUH = 40,000
 FUEL = NG @ 5" W.C. OR LP @ 10" W.C.
 ELECTRICAL POWER = 9 VDC BATTERY
 GAS CONNECTION = 1/2" NPT (NG) OR 3/8" ODF (LP)