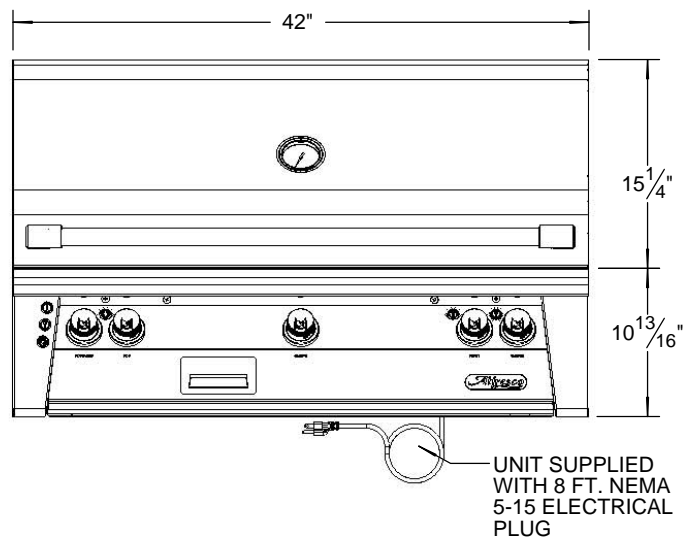
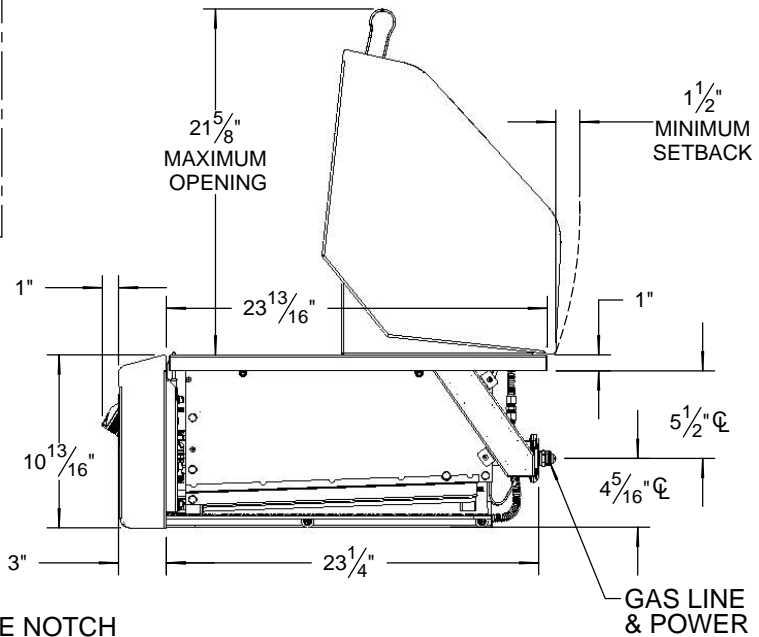
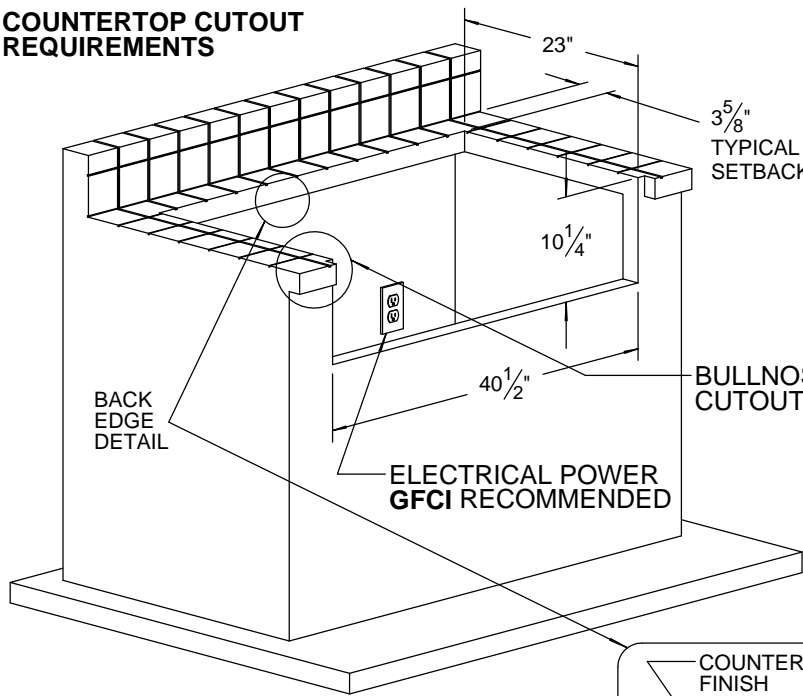


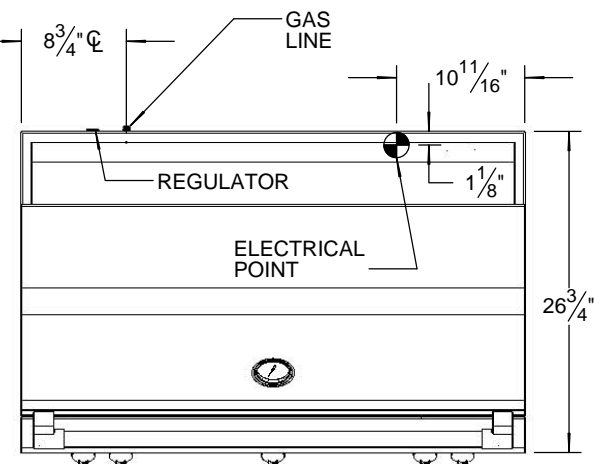
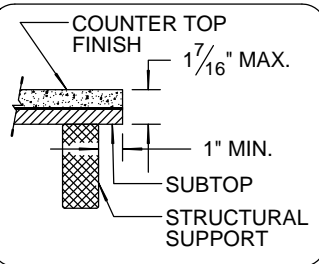
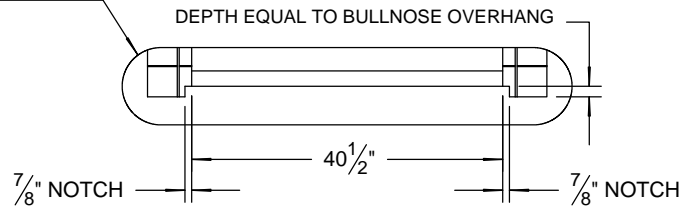
TYPICAL ALXE-42 / 42SZ INSTALLATION



COUNTERTOP CUTOUT REQUIREMENTS



BULLNOSE NOTCH CUTOUT DETAIL



NOTE:

- CUTOUT SHOWN FOR NON - COMBUSTIBLE CONSTRUCTION ONLY. OTHERWISE USE OF AIJ-42 INSULATING JACKET IS REQUIRED.
- COUNTER MUST HAVE PROPER GAS AND POWER SUPPLIES FOR YOUR ALFRESCO BBQ.

SPECIFICATIONS:

BTUH = 108,000
 FUEL = NG @ 5 W.C. OR LP @ 10 W.C.
 ELECTRICAL POWER = 115 VAC / 1.44 AMPS / 60 Hz.
 GAS CONNECTION = 1/2" NPT (NG) OR 3/8" ODF (LP)